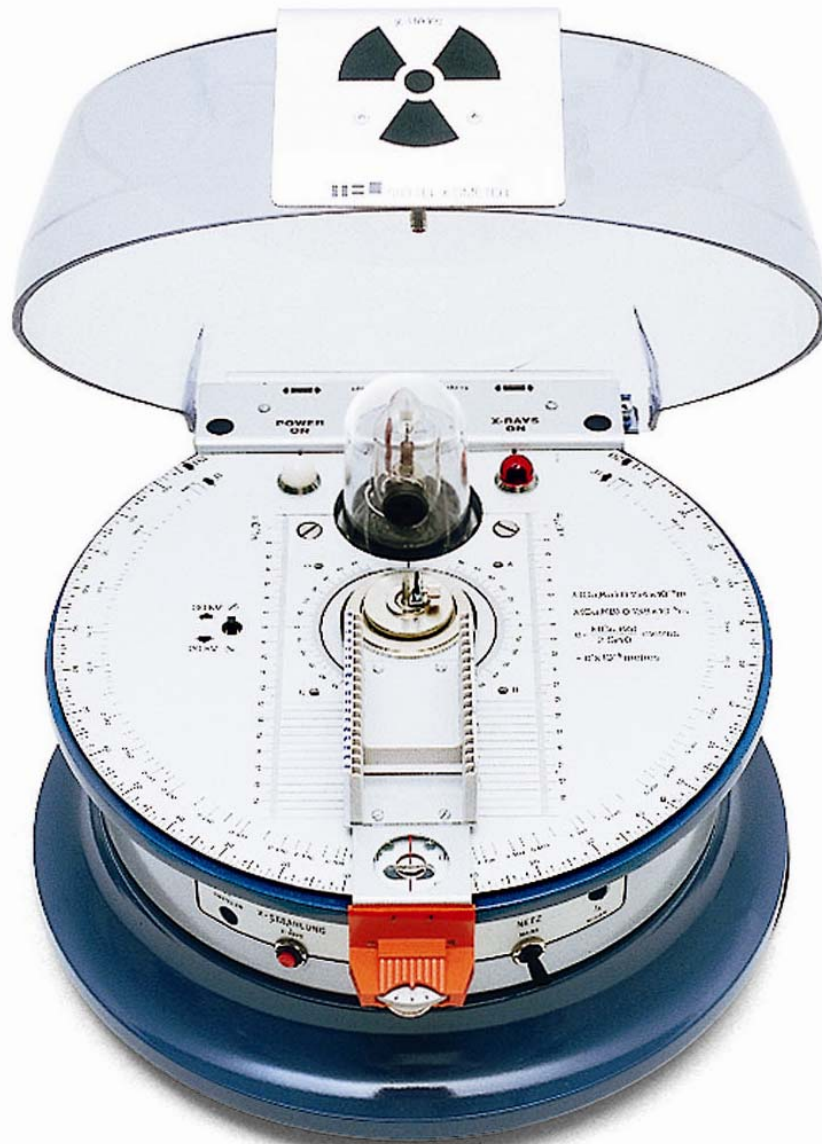


X-ray apparatus U192001

Instruction sheet

09/08 ALF / Hh



1. Protection from radiation

From the first use of the X-ray apparatus to the last, you must ensure that any planned use is in conformance with local legislation, stipulations and regulations and has been approved by the responsible authorities or otherwise certified.

High voltage may only be applied when the cover is closed and the safety circuitry is correctly connected and activated. Only when this has been done can the X-ray apparatus be operated. The housing is secured against unauthorised opening by means of a self-tapping screw. This prevents X-ray radiation from escaping and allows experiments to be performed in safety.

The maximum operating parameters $U = 30 \text{ kV}$ and $I = 100 \text{ }\mu\text{A}$ must not be exceeded.

Every time the X-ray apparatus is used, the radiation protection equipment must be checked as specified in Section 8.1.

Never open the housing of the X-ray apparatus. Any attempt to manipulate, repair or otherwise tamper with the equipment other than setting it up for use in a laboratory invalidates the certification for this type of equipment and it may no longer be used for any purpose. Repairs may only be made by the manufacturer UK 3B Scientific Ltd.

- The apparatus must be secured in such a way as to prevent unauthorised access.

2. Safety instructions

The X-ray apparatus conforms to safety regulations for electrical measuring, control and laboratory equipment as specified in DIN EN 61010 Part 1 and is designed to meet protection classification I. It is to be operated in dry rooms as appropriate for the use of electrical equipment.

Safe operation of this equipment is guaranteed as long as it is used as stipulated. However, there is no guarantee of safety if the equipment is used incorrectly or carelessly. If there is any suspicion that the equipment can no longer be operated without risk (e.g. if visible damage is detected), the equipment must immediately be withdrawn from use and secured in such a way as to prevent its inadvertent operation.

- As soon as you have unpacked the X-ray apparatus, check it for any signs of damage that may have occurred during transport. If any damage is found, do not attempt to operate the equipment but inform the manufacturer UK 3B Scientific Ltd.
- Before using the equipment for the first time, ensure that the mains voltage selector switch is set to the right voltage.

Due to the high dosage potential inside the X-ray apparatus, users are obliged to treat the equipment with special care.

- Before any use of the X-ray apparatus, the housing, the cover plus the control and display elements should all be checked and in particular the radiation protection equipment must be checked as specified in Section 8.1.
- If any damage is found, the equipment must immediately be withdrawn from use and secured in such a way as to prevent its inadvertent operation.
- If any malfunction occurs, the equipment must immediately be withdrawn from use and secured in such a way as to prevent its inadvertent operation.
- If the high voltage indicator lamp is lit even though the cover has not been fully closed and locked in its central position, the equipment must immediately be withdrawn from use.

If the cathode heater filament of the tube is not operating, then no “afterflash” (spark discharge of the tube heater filament on disconnection of high voltage) can take effect when the high voltage supply is turned off. In this event, a high voltage can remain in effect in the tube for up to 6 hours after disconnection.

- For this reason you should not touch any of the high voltage terminals for at least 6 hours after failure of the cathode.
- When replacing bulbs or fuses, always disconnect from the mains.

3. Components and control elements

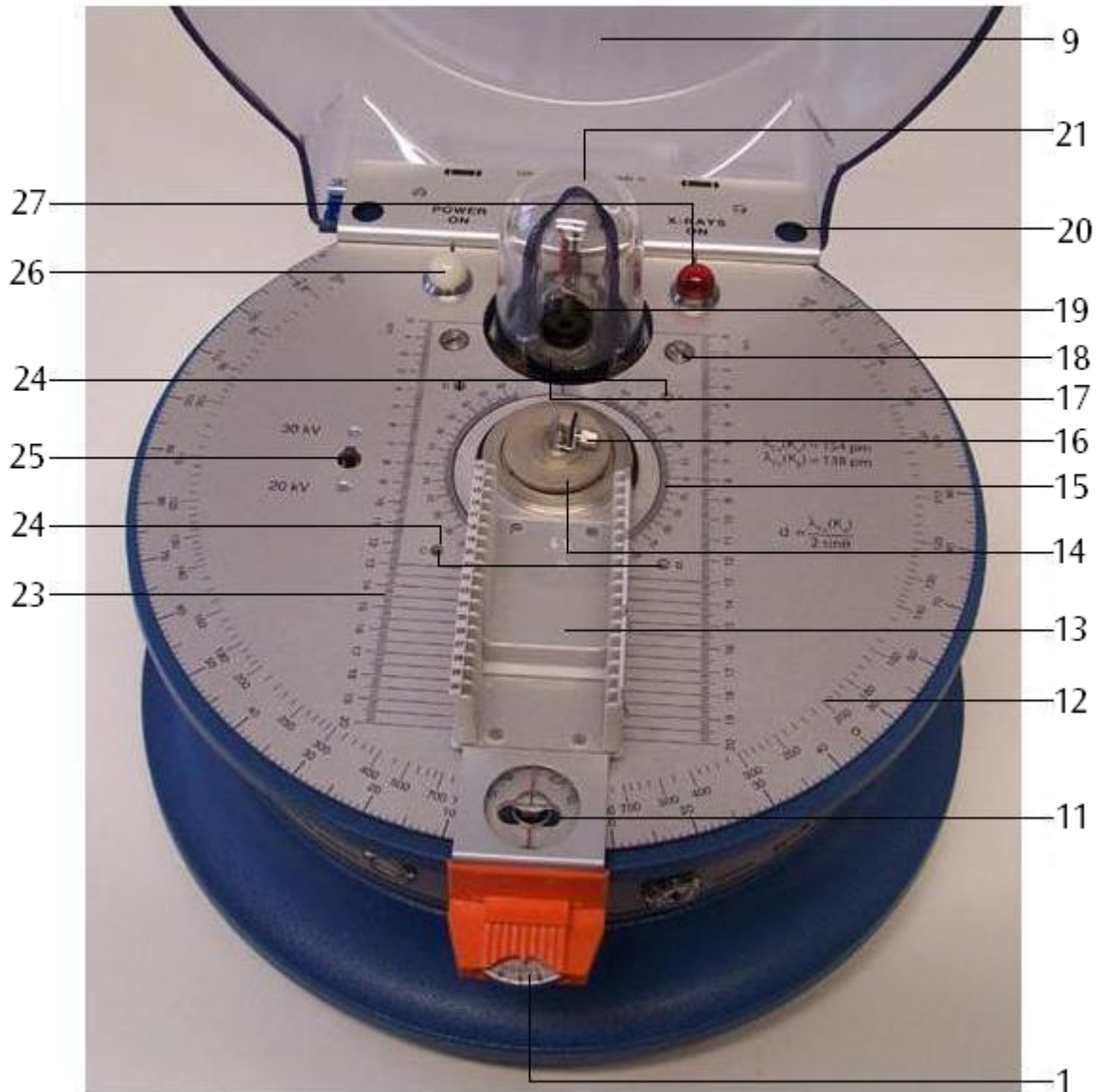


- 1 Fine adjustment trimmer for goniometer
- 2 Trimming potentiometer for setting emitter current
- 3 High voltage ON/OFF button
- 4 Housing
- 5 Base

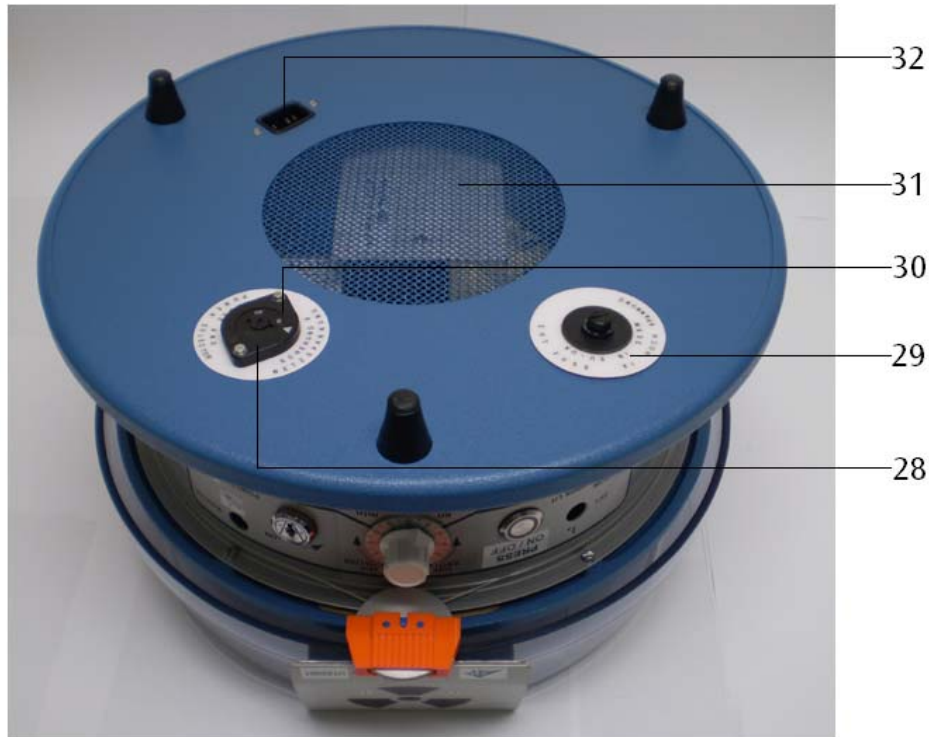
- 6 Timer
- 7 Key switch for mains supply
- 8 Jack socket for emitter current measurement, giving an output voltage proportional to current
- 9 Cover
- 10 Screening plate with radiation warning label



10
22



- | | |
|--|--|
| 11 Dumbbell shaped slot for locking the cover | 19 X-ray tube |
| 12 Protractor scale for measuring arm | 20 Access holes |
| 13 Measuring arm with magazine for photographic slides | 21 Leaded glass dome |
| 14 Pressure plate | 22 Locking pin for cover |
| 15 Protractor scale for sample holder | 23 Length scale for focal point |
| 16 Sample holder | 24 4-mm sockets for addition of driver motor |
| 17 Radiation exit window with brass collimator | 25 High voltage selector switch |
| 18 Securing screws for leaded glass dome | 26 Mains voltage indicator lamp (white) |
| | 27 High voltage indicator lamp (red) |



- 28 Circuit breaker for mains supply
- 29 Circuit breaker for high voltage supply
- 30 Mains voltage selector switch

- 31 Ventilation grille
- 32 Mains socket

4. Description

The X-ray apparatus allows you to undertake a wide variety of experiments on the following topics:

- Properties of X-rays:
 - Penetration by X-rays
 - Straight-line propagation
 - Ionisation
 - X-ray photography
- Fluorescence
- Shielding from X-rays
- Absorption experiments
- Distance law
- Dosimetry and radiation protection
- Refraction of X-ray beams:
 - Laue imaging
 - Debye-Scherrer imaging
- Bragg reflections
 - Duane-Hunt displacement law (determination of Planck's constant h)
- Moseley's law

A horizontal counter tube goniometer is built into the X-ray apparatus that consists of a pivoting measurement arm with a sample holder on its axis of

rotation. The arm takes the form of a magazine for photographic slides and can also accommodate a Geiger-Müller counter (U19201), an ionisation chamber (U19208) and various experimental equipment, either in the shape of slides or mounted on a 50 mm x 50 mm baseplate (e.g. U19205, U19206, U19207). The pivoting arm can be turned by hand around the sample holder or can be coupled to a fixed angle at a 2:1 ratio for experiments on Bragg reflection, for example. The space where the experiment takes place is inside a closed housing with a transparent, radiation-proof cover. The cover has a safety lock that prevents it from being opened until the high-voltage ON/OFF button has been switched to OFF and a delay of 2 seconds has elapsed for the decay of the high voltage. A timer for a period of up to one hour allows you to set up long exposures and means that the equipment does not continue operating for long periods without supervision. The highly evacuated X-ray tube with its directly heated tungsten cathode and copper anode is made of borosilicate glass with a concave, thin-walled exit window. A leaded glass cover with a brass collimator allows the X-ray beam to exit parallel to the top of the apparatus and prevents any scattered radiation from escaping. The emitted X-ray beam strikes a lead-aluminium screening plate bearing a radiation symbol of the same diameter as the uncollimated X-ray beam

5. Scope of delivery

- 1 Basic apparatus
- 1 X-ray tube
- 1 Jack plug
- 2 Fuses
- 1 Radiation warning plates in German, English, French and Spanish
- 1 Instruction sheet

6. Technical data

X-ray tube:

Anode voltage:	20/30 kV selectable, electronic stabilisation
Emitter current:	0 to 80 μA continuously adjustable with electronic stabilisation
Radiation dosage:	$< 0.1 \text{ mrem/h}^{-1}$ at 0.1 m from accessible surfaces
Heated cathode:	4 V, 1 A
Focal point:	5 mm x 1 mm
Anode material:	Cu
Leaded glass collimator:	5 mm dia.
Beam divergence:	Better than 10°
Wavelength of charact. radiation:	Cu - K_α : 154 pm Cu - K_β : 138 pm
Dimensions:	100 mm x 32 mm dia.

Counter tube goniometer:

Pivot range:	0° $+10^\circ$ to $+130^\circ$ and -10° to -130° relative to axis of beam
Angle coupling:	Independent of sample holder alignment or in the ratio 2:1
Accuracy of Bragg angle 2θ :	5 minutes of arc
Timer:	0 to 60 min, continuously adjustable
Mains:	115 V/230 V, 50/60 Hz via mains lead
Power consumption:	100 VA
Dimensions:	250 mm x 370 mm dia.
Weight:	9 kg

7. Spares and accessories

- 1. Spare X-ray tube U19204

- 2. Basic equipment set U19205

The basic equipment set allows for qualitative and quantitative experiments, e.g. on straight-line propagation, ionisation, penetration by X-rays and X-ray photograph, demonstration of the wave nature of X-ray radiation, investigation of X-ray fluorescence and determination of mass-absorption coefficients.

Scope of delivery:

- 1 Fluorescent screen
- 1 Debye-Scherrer camera
- 2 Film cartridges
- 1 Lead stencil
- 2 Plate electrodes on 4-mm plug
- 1 Slotted collimator aperture, 1 mm
- 1 Pinhole collimator aperture, 1 mm \emptyset
- 1 Spare magazine with circular apertures
- 2 Slotted apertures, 1 mm/3 mm
- 1 Circular aperture, 9.5 mm dia.
- 2 Monocrystals, LiF, NaCl
- 2 Miniature crystals, LiF
- 1 Powder sample, LiF
- 10 Copper wires
- 4 Absorption films, Ni, Cu, Co, Zn
- 1 Revolver for scattering films, coated with the following elements V, Cr, Mn, Fe, Co, Ni, Cu, Zn
- 1 Remote controller for scattering film revolver
- 1 Set of assembly aids (acetate adhesive, clips)
- 1 Storage box, with moulded inlays for equipment

- 3. Crystallography accessories U19206

These crystallography accessories allow for advanced crystallographic studies, derivation of Moseley's law, the Debye-Scherrer procedure, Bragg reflections and material analysis.

Scope of delivery:

- 4 Films, Fe, V, Mn, Cr
- 2 Monocrystals, KCl, RbCl
- 5 Powder samples. NaF, SiC, NH_4Cl , MgO, Al
- 2 Sets of wire samples, Al, Nb (3 each) for Debye-Scherrer experiments
- 10 Polyethylene fibres
- 1 Disc for calculating Bragg reflection angle

- 4. Radiography accessories U19207

These radiography accessories allow for experiments on the following topics: scattering, absorption; dependence of penetration on accelerating voltage or emitter current, resolution, screening,

half-value thickness (HVT); exposure times, non-destructive material analysis.

Scope of delivery:

- 1 Maltese cross
- 1 Phantom
- 1 Circular aperture
- 1 Aluminium layer, stepped
- 5 Aluminium absorbers, 0.1/0.25/0.5/1.0/2.0 mm
- 1 Lead absorber, 0.5 mm
- 1 Plastic absorber
- 2 Magnets
- 4 Material testing models (porosity, cracks, weld, painting)

5. Film-pack 2 U19209

Film-pack 2 contains highly sensitive films for radiography using α , β and X-ray radiation. The films are individually wrapped in opaque plastic covers and can be developed and fixed in daylight.

Scope of delivery:

- 20 Films 38 mm x 35 mm in opaque plastic wrappers
- 1 Bottle of X-ray developer
- 1 Bottle of X-ray fixer
- 1 Syringe with cannula for injecting chemicals into the film wrappers.
- 1 Metal clips

6. Film-pack 4 U19210

As per Film-pack 2 except:

- 12 Films 150 mm x 12 mm in opaque plastic wrappers for Debye-Scherrer camera.

7. Motor drive U19202-115 or U19202-230

A motor drive is used in conjunction with a Debye-Scherrer camera for analysing structures using the rotating crystal method.

Mains: 115/230 V, 50/60 Hz

Power consumption: 3 VA

8. Ionisation chamber U19208

The ionisation chamber is for investigating the ionisation of air and other gases by X-rays at differing pressures (saturation characteristic, Geiger-Müller tube model, dosimetry).

Operating voltage: max. 2 kV

Ionisation current: 10^{-11} to 10^{-10} A

Rod electrode: 75 mm long

Chamber: 85 mm x 25 mm dia.

Tubing: 5 mm dia.

9. Geiger-Müller tube U19201

The Geiger-Müller counter tube is a self-quenching halogen-trigger counter tube for registering α , β , γ and X radiation.

Dose rate range: 10^{-3} to 10^2 mGy/h

Mass of active surface (mica): 2.0 to 3.0 mg/cm²

Operating voltage: 500 V

Connection: BNC

Cable length: 1 m

Dimensions: 57 mm x 22 mm dia.

10. Ratemeter U19203

The ratemeter counts pulses from a counter tube and measures emitter current in an X-ray tube. In conjunction with a digital display with an adjustable threshold (U18620), the output signals, counter tube voltage, pulse rates and current can all be displayed directly.

Current measuring input: Jack socket

0 to 200 μ A

Ratemeter meas. range: 0-2,000 pulses/s

0-20,000 pulses/s

Trigger times: 3 s, 15 s, 30 s, 60 s

11. Digital display with adjustable threshold U18620

This digital display with adjustable threshold is intended for immediate use with the ratemeter (U19203). It has four input channels and the upper and lower limits for these can be signalled audibly.

Display: 3½ digits, 12.5 mm high

Dimensions : 105 mm x 76 mm

8. Operation

8.1 Checking radiation protection equipment

Every time the X-ray apparatus is used, you should check in advance that the equipment relating to radiation protection is functioning correctly. This check should be conducted in the sequence that follows. In the event of any of these steps revealing a problem, the equipment must immediately be unplugged from the mains. If the problem cannot be eliminated by following the suggestions listed in Section 10, the X-ray apparatus will need to be repaired by the manufacturer. Only if this safety check is completed successfully may the X-ray equipment be used.

- Check the cover for damage.
- Check that the screening plate with the radiation sign is firmly secured.

- Check the locking pin of the cover for any damage.
- Check that the leaded glass dome and brass collimator are free of damage and firmly secured.
- Check that the mains indicator lamp is functioning correctly by closing the cover, connecting the equipment to the mains, setting the timer and turning on the key switch. The indicator lamp should then light. The high voltage indicator should not be lit.
- Check that the timer is working properly by turning on the key switch and setting a time.
- Check the timer relay by setting the timer to 0. The mains indicator should not be lit even if the equipment is plugged in.
- Check the high voltage indicator lamp. Set a time on the timer with the cover closed and locked (locking pin in centre position) and turn on the key switch. The high-voltage indicator lamp should not light up at this stage. Switch on the high voltage using the ON/OFF button. The indicator lamp and the light-ring of the button should then light up.
- Check the switching function of the safety device in the cover hinge as follows: with the high voltage switched on, slide the cover sideways without opening it, so that the locking knob remains within one end of the dumbbell-shaped slot. The high voltage should switch off automatically, so that the high-voltage indicator lamp and the light-ring also go off.

8.2 Putting the X-ray apparatus into operation

8.2.1 Opening, closing and locking the cover

- To open the cover towards the side where the measuring arm is located, push it sideways and lift it open.
- To close the cover, insert the locking pin into the dumbbell slot on the side where the measuring arm is located.
- Push the cover sideways so that the locking pin audibly snaps into the centre position.

The cover is now secured against any unintentional opening. The high voltage supply may now be switched on.

8.2.2 Turning on the X-ray apparatus

- Select a time on the timer.
- Turn on the X-ray apparatus using the key switch.

The mains indicator lamp should now light up. Once the time is up, the machine should switch itself off.

8.2.3 Closing the cover and switching on the high voltage

- Once the mains is connected, select the high voltage supply $U = 20 \text{ kV}/30 \text{ kV}$ via the slide switch.
- Close the cover and lock it with the locking pin in the centre position.
- Press the high voltage button.

The high-voltage indicator lamp and the light-ring of the ON/OFF button light up, and X-radiation is generated.

- Check for the presence of an X-ray beam using the fluorescent screen, ionisation chamber or Geiger-Müller tube.

8.2.4 Setting and measuring emitter current

- Connect a voltmeter with a measurement range of 10 V DC to the jack socket using an adapter cable.
- Use a screwdriver to set the desired emitter current on the trim potentiometer.

The following relationship applies:

$$I_A [\text{A}] = U_A [\text{V}] / 10^5 [\text{Ohm}]$$

Thus, for example, a DC voltage of 8 V indicated on the voltmeter corresponds to a tube current of 80 μA .¹

8.2.5 Switching off the high voltage and opening the cover

- Press the high-voltage ON/OFF button, allow the delay time needed for the unlocking of the cover safety catch, and slide the cover sideways.

8.2.6 Sample holder

Monocrystals (NaCl, LiF, etc.) can be attached to the sample holder (see Fig. 5). The clamp and base can be removed by undoing the relevant screw.

- Fix the monocrystal into the sample holder with the clamp thus defining the angular alignment of the crystal. The rough side of the crystal should point towards the X-ray tube.
- Read off the angle θ between the sample holder and the beam axis.

8.2.7 Measuring arm

The measuring arm has 18 slots for experiment accessories and detectors. An angle between measuring arm and X-ray beam of 2θ can be read on the arm's protractor scale. For accurate measurement of angle there is also a vernier scale. It is used as follows:

- Set the arm to the next whole marking for 2θ .
- Set the fine adjustment trimmer against the thread tension to 0 while holding the measuring arm.

The arm can be set by an extra $\pm 4^\circ$ using the fine adjustment trimmer.

- Read of the relative angle from the vernier (accurate to about 5 minutes of arc).

8.2.8 Angle coupling 2:1

To photograph a Bragg spectrum the measuring arm needs to be set to twice the crystal angle 2θ while the sample holder is rotated by a given angle θ .

- Set both the measuring arm and the sample holder to precisely $\theta = 0^\circ$.
- Carefully screw in the pressure plate.

Now when the measuring arm is moved, the sample holder rotates by precisely half the angle (see Fig. 4).

- To decouple the two elements, unscrew the pressure plate by one or two turns.

8.3 Changing fuses

- Disconnect the mains plug.

8.3.1 Mains fuse

- Unscrew the fuse holder for the mains fuse from the bottom of the housing.
- Insert a new fuse of the correct value (T1A, 250 V).
- Screw the fuse holder back in.

8.3.2 High voltage fuse

- Unscrew the fuse holder for the high voltage fuse from the bottom of the housing.
- Insert a new fuse of the correct value (T1A, 250 V).
- Screw the fuse holder back in.

8.4 Changing bulbs

- Disconnect the mains plug.
- Remove the plastic cover for the mains or high voltage indicator as appropriate
- Unscrew the lamp with the help of a short section of plastic tubing and replace the bulb:
Mains voltage indicator lamp: 6 V / 0.05 A
High voltage indicator lamp: 6 V / 0.1 A
- Screw the cover back on.

8.5 Adjustment of X-ray tube

The X-ray apparatus is supplied having been pre-adjusted at the factory. There will usually be no need to adjust it any more. However, it is possible for the adjustment to have been lost during transport so that re-adjustment becomes necessary.

8.5.1 Height adjustment of X-ray tube

- Insert the counter tube into slots 17 and 20 of the measuring arm and rotate it to 0° .
- Take a 1-mm horizontal slot aperture (from U19205) and insert it into slot 13.
- Position an aperture of 1 mm dia. (from U19205) on the brass collimator of the leaded glass dome.

- Turn on the X-ray apparatus and select a high voltage of 20 kV.

- Set the emitter current so that the counter tube registers around 200 to 400 pulses per second (see 8.2.4).

- Remove the rubber stopper from the bottom of the apparatus at the rear to access the screw for adjusting the height of the tube and set it up so that the maximum rate of count is obtained.

- Replace the rubber stopper.

8.5.2 Sideways adjustment of X-ray tube

- Turn off the X-ray tube and open the cover.

- Insert a 1-mm slotted aperture (from U19205) into slot 30 so that it is aligned vertically.

- Fix a 1-mm slotted aperture (from U19205) to the brass collimator of the leaded glass dome so that it is aligned vertically.

- Remove the clamp from the sample holder and place the mounting clip for glass rods (from U19205) in the sample holder (see Fig. 5).

- Turn on the mains.

- Aim the tube through the crossover between the two slot apertures. The glass rod should be precisely in the middle of the cathode reflex on the anode.

- If it is not in this position, release the securing screws and rotate the leaded glass dome by a small angle.

- Remove the glass rod and clip.

- For this fine adjustment, place a lithium fluoride (LiF) miniature crystal in the sample holder.

- Turn the measuring arm and sample holder to 0° .

- Set up the 2:1 angle coupling (see 8.2.8).

- Move the measuring arm to an angle $2\theta = 45^\circ$. You should select the side of the goniometer so that impinging and reflected beams are on the angled side of the sample holder (see Fig. 5).

- Set the high voltage to 30 kV, close the cover and turn on the high voltage.

- Look for the Cu-K_α reflex maximum (quoted value for LiF = $44^\circ 56'$). The measured value should be within $30'$ of the quoted value.

- If the measured value is outside this tolerance, check through the previous steps and repeat them if necessary.

- If the measured value is still outside the tolerance, set the measuring arm to the average of the measured and quoted values.

- Remove the rubber stopper at the top on the rear of the housing to access the screw for changing the inclination of the tube and adjust it until the counter rate reaches a maximum.

- Move the measuring arm to find a maximum for the reflex. If necessary, keep adjusting until the measured and quoted values do lie within the 30' tolerance.

9. Operating instructions for accessories

9.1 Inserting the collimators (from U19205)

The collimators serve to reduce the divergence of the beam.

- Simply plug one of the collimators directly onto the brass collimator of the leaded glass dome.

9.2 Inserting apertures and other experimental items in photographic slide format onto the measuring arm.

- Simply slot the slide into the required slot and clamp it using the spring clip.

9.3 Ionisation chamber (U19208)

- Assemble the ionisation chamber as in Fig. 6.

To demonstrate the ionising effect of X-rays at normal pressures, use the chamber cover with the wide opening. For low pressure (principle of the Geiger-Müller tube), use the lid with the vacuum pump connection.

- Thread the voltage leads and, if necessary, the pump hose through the openings from the experiment chamber. Experiment leads should be equipped with the supplied plugs.
- Slot the ionisation chamber onto the measuring arm (see Fig. 2).

9.4 Geiger-Müller tube (U19201)

- Slot the tube holder onto the slide holder of the measuring arm and secure it with the spring clips. (see Fig. 3)

9.5 Revolver for scattering films (from U19205)

The scattering film revolver is a revolving holder for 8 different metal films that can be rotated into the beam one after the other using a remote trigger. The symbols for the elements are shown in a window on the reverse of the revolver.

- Remove the clamp for the sample holder (see Fig. 9).
- Position the revolver on the sample holder with the hemispherical recess facing downwards.
- Screw the remote triggering device onto the scattering film revolver and check that it is working properly.
- Thread the remote trigger through to the outside under the cover.

9.6 Debye-Scherrer camera (from U19205) with motor drive (U19202)

The Debye-Scherrer camera is made up of three parts: housing, cover and a clamp with bevel gear (see Fig. 7). The motor drive can be used, for example, to take rotating crystal images.

- Remove the clamp from the sample holder and set the measuring arm to an angle $2\theta = 90^\circ$ and the sample holder to $\theta = 90^\circ$. Make sure that the smooth side of the sample holder is pointing towards the tube.
- Fix a 1-mm collimator to the brass collimator on the leaded glass dome.
- Try out the positioning of the Debye-Scherrer camera housing between the leaded glass dome and the sample holder (see Fig. 7). If there is no room for play in the camera, it can be adjusted using the screw in the bottom of the camera.
- Load the camera with a film from Filmpack 4 (U19210) inside a dark room. Make sure the film is firmly placed inside the inner cylinder.
- For rotating crystal images, a film from Filmpack 2 (U19209) should also be placed on the bottom of the camera.
- Position the sample in the padding around the hole of the clamp, close the lid of the camera and slot the clamp with the clamped sample into the camera itself.
- Place the camera on the sample holder.
- If required, also set up the motor drive (U19202) as in Fig. 8. Plug its connectors into the 4-mm socket. Make sure the bevel gear is able to turn freely. Using the supplied Allen key, the inclination of the motor's bevel gear can be adjusted.

9.7 X-ray films (U19209/U19210)

9.7.1 Development

- Before sucking developer fluid into the syringe, raise the plunger by 1 ml so that there will be some air above the fluid. This ensures that all the fluid from the syringe and the cannula enters the film wrapper when injected.
- Insert the cannula into one of the openings next to the printing on the film wrapper and inject the developer into the wrapper.

Make sure that both sides of the film are coated with developer and that the developer is well distributed within the wrapper throughout the development process.

- You can achieve this by applying slight pressure to the wrapper with your thumb and forefinger.
- Once the development time has elapsed, you can inject fixer into the wrapper without removing the developer first.

Development	Developer	Fixer
Time	1½ min.	4 min.
Filmpack 2	2½ ml	3½ ml
Filmpack 4	3½ ml	5 ml

9.7.2 Removing the film

- After the film has been developed, snip off one corner of the wrapper with scissors and apply slight pressure to force all the liquid out of the wrapper.
- Then snip off one edge of the wrapper and use a metal clip to pull the film out.
- Wash the film for a few minutes in running water before viewing.

If the film is to be archived, it will require another 10 minutes of fixing and 30 minutes more washing in running water. Normal fixer with or without hardeners can be used for this.

9.7.3 Storage of chemicals

Whereas fixer is relatively stable, the developer can decompose as a result of air in the bottle.

- If developer needs to be kept for a long time though the bottle is already partially empty, it is

better if it is transferred to a smaller container. This means it remains usable for longer.

- Before closing the developer bottle, squeeze the bottle so that the fluid comes to brim before closing it. This ensures that as little air as possible remains above the fluid in the bottle.
- Observe local regulations when disposing of chemicals.

9.7.4 General information

When exposing X-ray film, the distance of the film from the object should be kept as small as possible and the distance of the film from the radiation source as large as possible for the required exposure time and size of radiation source.

The film can also undergo exposure from beta and gamma radiation emitted from low energy sources that may be present in a school.

If the film is irradiated with a relatively large quantity of "soft" X-ray radiation, the pattern of the wrapper may appear on the developed image.

When the film is sealed into its PVC wrapper, pressure points sometimes appear at the edges. After development these pressure points may appear as dark black patches.

10 Troubleshooting

Fault	Possible causes	Solutions
Mains indicator light is not working even though the mains connection has been checked.	Timer is set to 0 Mains fuse has blown High voltage fuse has blown Indicator bulb has blown Other causes	Set a short timer period. Replace the fuse (see Section 8.3). Replace the fuse (see Section 8.3). Replace the bulb (see Section 8.4). The equipment needs to be checked by the manufacturer.
Cathode heater fails to glow, although the high voltage is switched on, the preselected tube current is greater than zero, and the mains voltage indicator lamp shows "ON"	Cathode is faulty Heater control circuit is faulty	The equipment needs to be checked by the manufacturer.

<p>High voltage indicator light is not working even though the mains indicator is on</p>	<p>Safety circuit</p> <p>Indicator bulb has blown</p> <p>Other causes</p>	<p>Check the safety circuit as specified in Section 8.1, especially the fastening of the leaded glass dome and the hinges and locking of the cover.</p> <p>Replace the bulb (see Section 8.4).</p> <p>The equipment needs to be checked by the manufacturer.</p>
<p>High voltage "crackles" shortly after switching on</p>	<p>Moisture under the leaded glass dome</p>	<p>Unlock and remove the lead glass dome, wipe it with a dry cloth, and replace it and lock it.</p>
<p>The cathode lights up brightly for a short time after the high voltage has been switched off („After-flash“)</p>	<p>This is not a fault, its purpose is to allow discharging of the high-voltage components.</p>	
<p>No X-ray beam although the high voltage is turned on</p>	<p>The cathode is not lit</p> <p>The emitter current is too small</p> <p>No emitter current</p> <p>Collimators or such like in the way of the beam</p> <p>X-ray tube has lost its adjustment</p>	<p>The equipment needs to be checked by the manufacturer. Caution: high voltage remains in effect for several hours after the tube has been switched off!</p> <p>Adjust the emitter current (see Section 8.2.4)</p> <p>The equipment needs to be checked by the manufacturer.</p> <p>Check the set-up for the experiment</p> <p>Adjust the X-ray tube (see Section 8.5)</p>

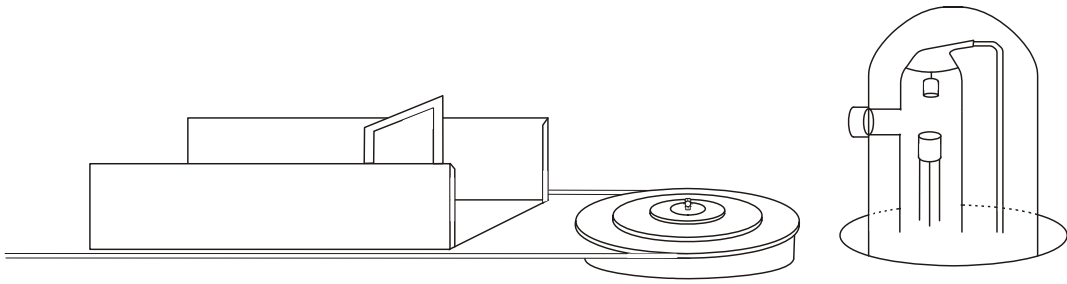


Fig. 1 Inserting the fluorescent screen onto the measuring arm

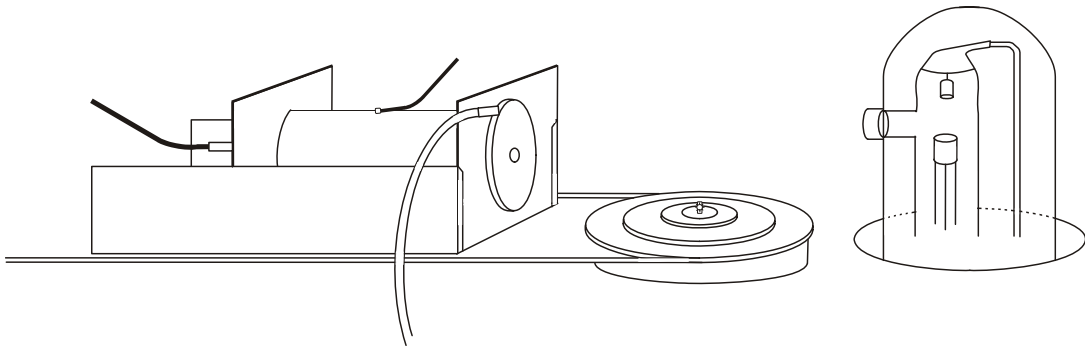


Fig. 2 Inserting the ionisation chamber onto the measuring arm

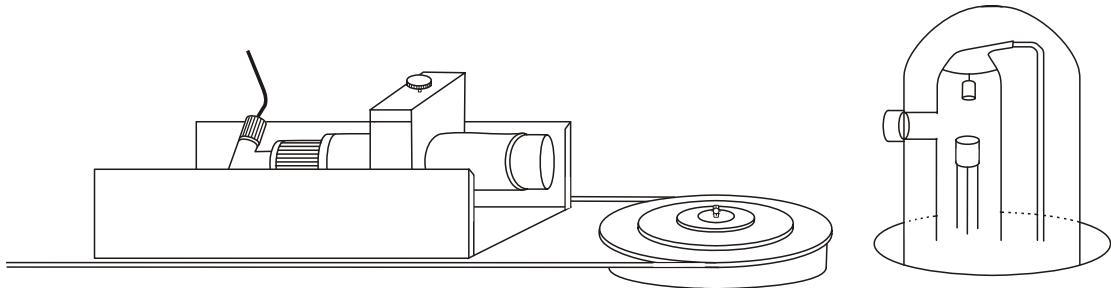


Fig. 3 Inserting the Geiger-Müller tube onto the measuring arm

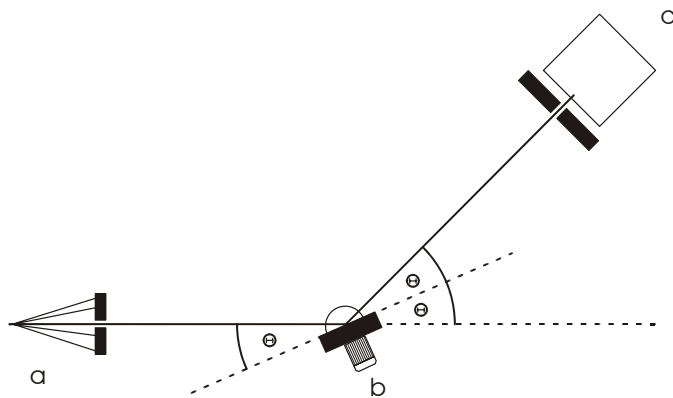


Fig. 4 Geometry of Bragg reflections (a. X-ray tube, b. Monocrystal, c. Counter tube)

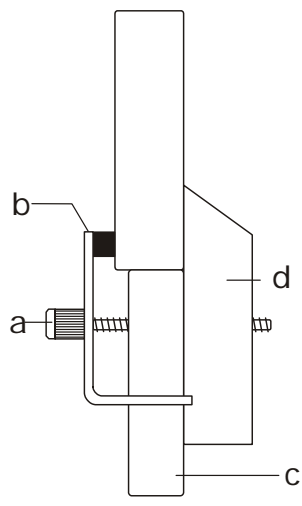


Fig. 5 Insertion of crystal into sample holder (a Screw, b Clamp, c Base, d Fixed section of sample holder)

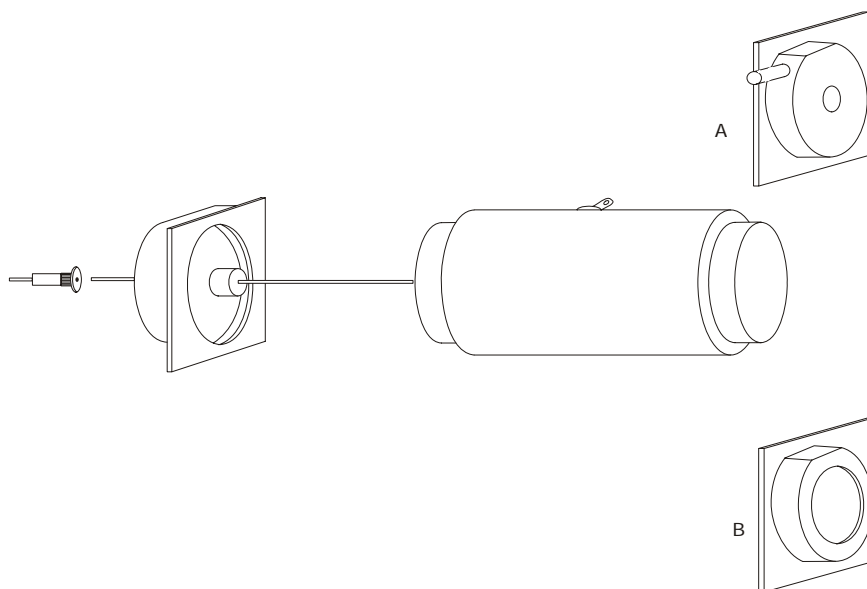


Fig. 6 Assembly of ionisation chamber (A for low pressure, B for normal atmospheric pressure)

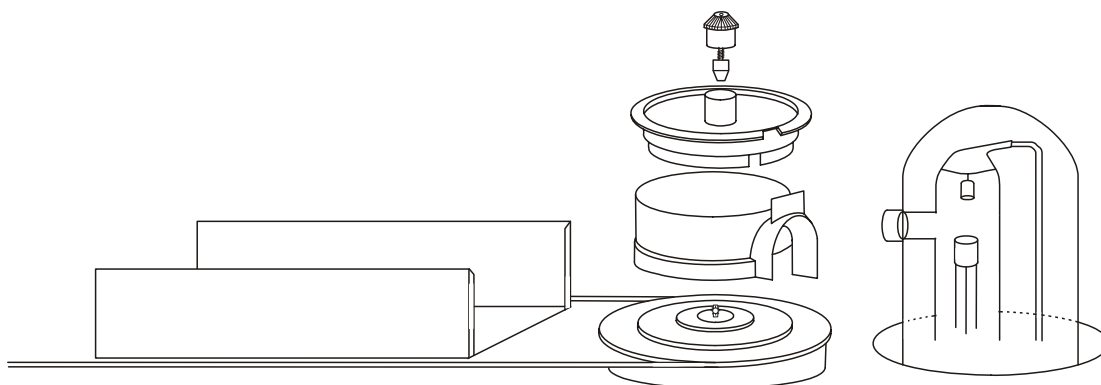


Fig. 7 Insertion and removal of Debye-Scherrer camera

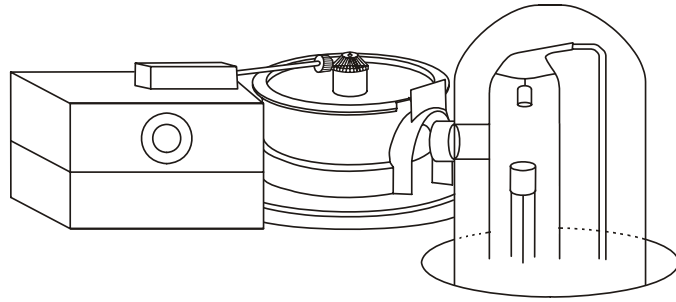


Fig. 8 Debye-Scherrer camera with motor drive

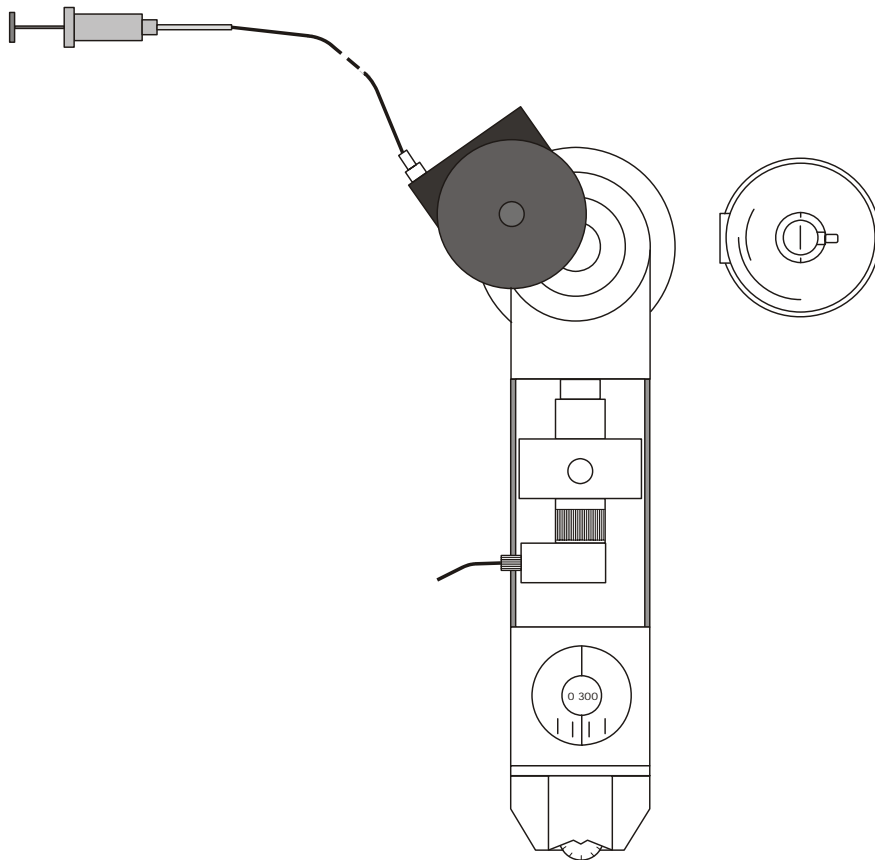
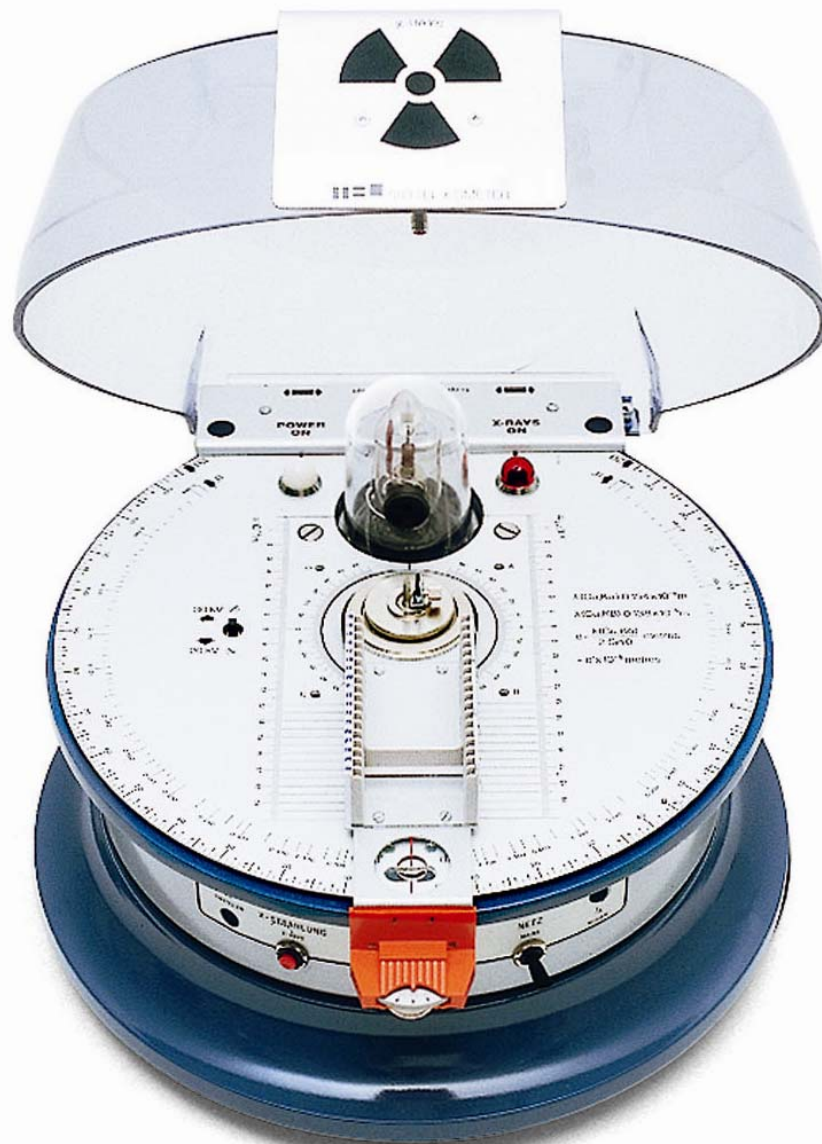


Fig. 9 Insertion of scattering film revolver magazine

Appareil à rayons X U192001

Instructions d'utilisation

09/08 ALF / Hh



1. Protection contre les radiations

Avant la première mise en service de l'appareil à rayons X, veiller à ce que la mise en service prévue ait été autorisée ou déclarée en bonne et due forme aux autorités compétentes, selon la législation, les directives et prescriptions en vigueur dans le pays concerné.

La haute tension ne peut être activée et le tube à rayons X mis en service que lorsque le couvercle de protection est rabattu et que le circuit de sécurité a été fermé dans les règles de l'art. Le boîtier est sécurisé contre toute ouverture intempestive par une vis jetable. Le rayonnement X est ainsi blindé, ce qui permet une expérimentation sans danger.

Les conditions de service maxi. $U = 30 \text{ kV}$ et $I = 100 \text{ }\mu\text{A}$ ne peuvent être dépassées.

Avant toute mise en service de l'appareil à rayons X, vérifier les dispositifs de protection contre les radiations, conformément aux instructions figurant au paragraphe 8.1.

Le boîtier de l'appareil à rayons X ne doit en aucun cas être ouvert. Si des manipulations, réparations, etc. qui ne concernent pas le montage d'expériences dans l'espace d'expérimentation, doivent être effectuées sur l'appareil à rayons X, l'agrément de modèle devient caduque et l'appareil à rayons X ne peut plus être utilisé. Les réparations doivent être effectuées uniquement par le fabricant UK 3B Scientific Ltd.

- Protéger l'appareil contre tout accès par des personnes non autorisées.

2. Consignes de sécurité

L'appareil à rayons X est conforme aux directives de sécurité relatives aux appareils électriques de mesure, de commande et de régulation ainsi qu'aux appareils de laboratoire conformes à la norme DIN EN 61010 Partie 1 et répond à la classe de protection I. Il est conçu pour une utilisation dans des endroits secs adaptés aux matériels et installations électriques.

Une utilisation conforme à la destination garantit un emploi de l'appareil en toute sécurité. La sécurité n'est cependant pas garantie si l'appareil fait l'objet d'un maniement inapproprié ou s'il est manipulé avec imprudence. S'il s'avère que son utilisation ne peut plus se faire sans danger (par ex. dans le cas d'un endommagement visible), l'appareil doit être immédiatement mis hors service et sécurisé contre tout fonctionnement involontaire.

- Examiner l'appareil à rayons X immédiatement après l'avoir déballé quant à l'existence de dommages éventuels dus au transport. Si un endommagement est constaté, ne pas mettre l'appareil en service et en informer le fabricant UK 3B Scientific Ltd.
- Avant la première mise en service de l'appareil, régler ce dernier sur la tension de secteur correcte au moyen du sélecteur.

La présence d'une dose d'exposition importante à l'intérieur de l'appareil à rayons X, soumet ce dernier à un devoir de diligence particulier de la part de l'exploitant.

- Avant toute mise en service de l'appareil à rayons X, vérifier que le boîtier, le couvercle de protection, les éléments de commande et d'affichage sont bien intacts et contrôler en particulier les dispositifs de protection contre les radiations, conformément aux instructions fournies au paragraphe 8.1.
- En cas de dommages visibles, ne pas mettre en service l'appareil à rayons X et le protéger contre tout fonctionnement involontaire.
- En cas de perturbation fonctionnelle, mettre l'appareil hors service et le protéger contre tout fonctionnement involontaire.
- Si le voyant de contrôle de haute tension est allumé, alors que le blindage de protection n'a pas été fermé dans les règles de l'art et qu'il est verrouillé à la position médiane, mettre l'appareil immédiatement hors service.

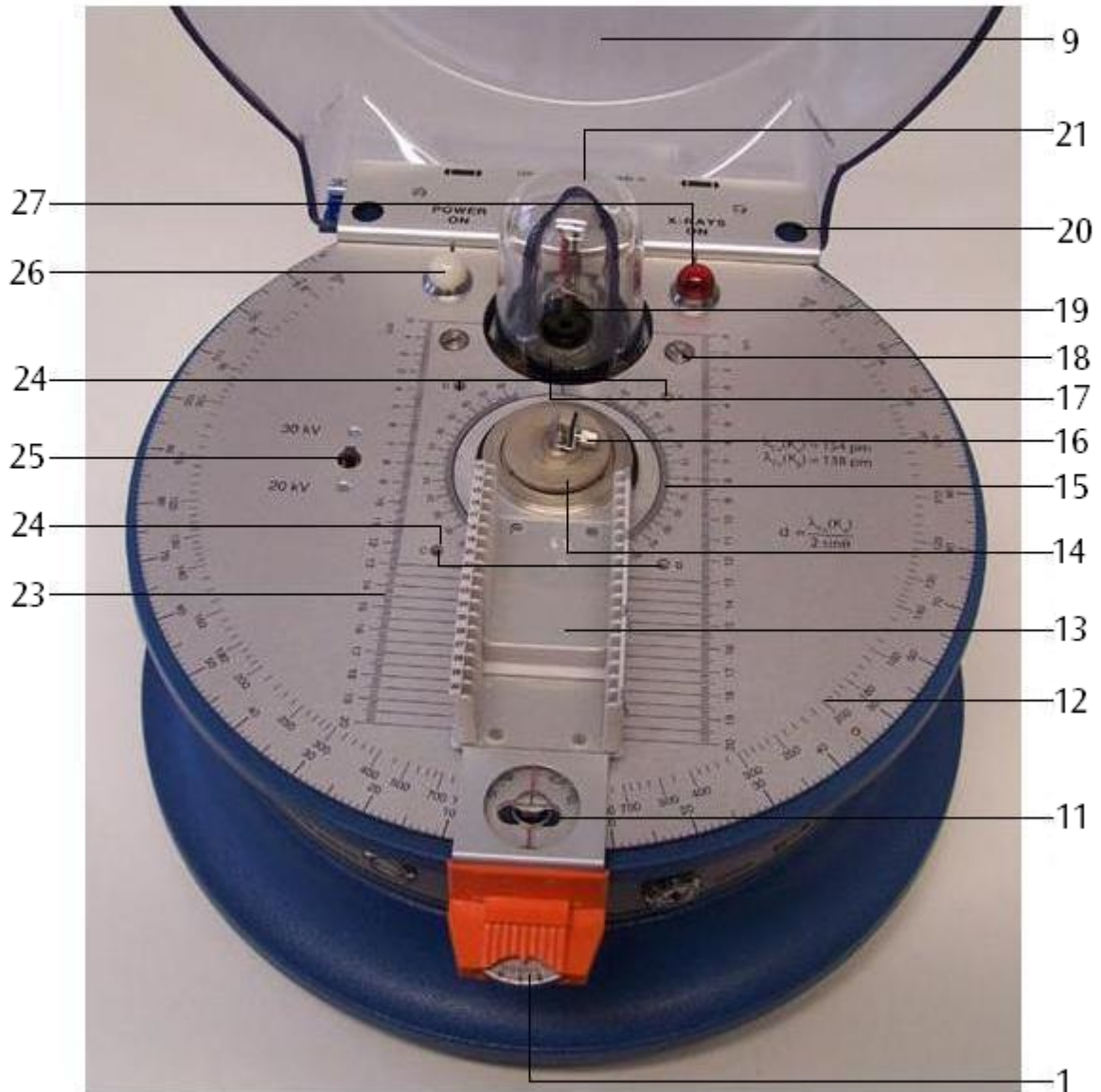
Si le chauffage de cathode du tube ne fonctionne pas, « l'afterflash » (flash du chauffage du tube provoqué par la mise hors circuit de la haute tension) ne peut fonctionner lorsque la haute tension est mise hors circuit. La haute tension peut donc encore rester appliquée sur le tube pendant une durée de jusqu'à 6 heures.

- Par conséquent, ne toucher les pièces conductrices de haute tension qu'au bout de 6 heures minimum après une panne de cathode.
- Débrancher la prise du secteur lors d'un changement de lampe ou de fusible.

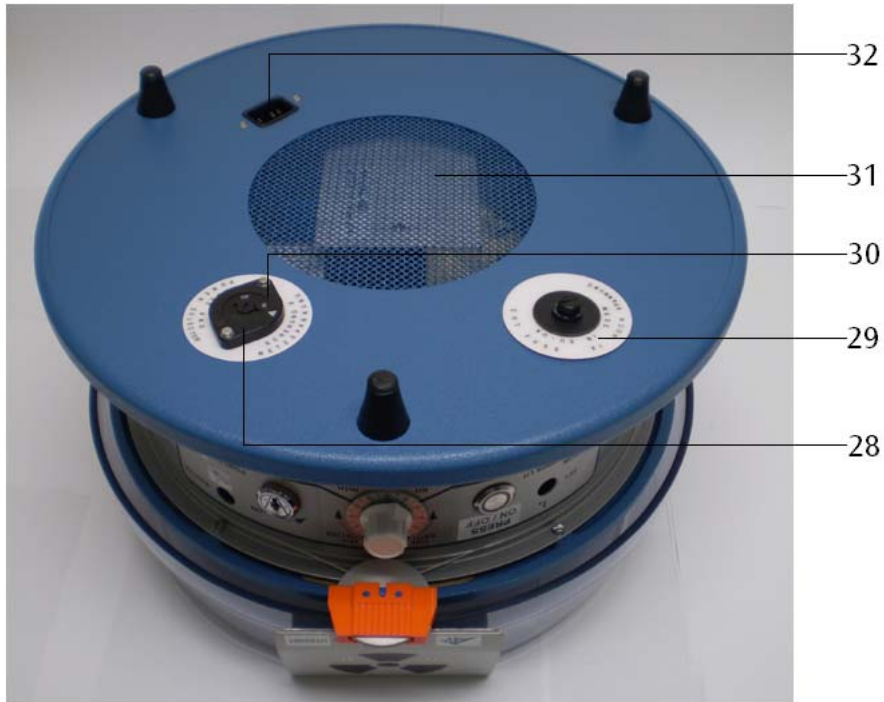
3. Composants et éléments de commande



- | | | | |
|---|---|----|---|
| 1 | Bouton de réglage de précision pour goniomètre | 6 | Minuterie |
| 2 | Potentiomètre de compensation pour le réglage du courant d'émission | 7 | Interrupteur à clé pour la tension du secteur |
| 3 | Touche pour haute tension avec fonction MARCHE/ARRÊT | 8 | Douille jack pour la mesure du courant d'émission avec sortie de tension proportionnelle au courant |
| 4 | Boîtier | 9 | Couvercle blindé |
| 5 | Pied | 10 | Plaque de blindage avec symbole d'avertissement contre les radiations |



- | | |
|--|---|
| 11 Fente en forme d'haltère servant au verrouillage du couvercle de protection | 19 Tube à rayons X |
| 12 Echelle d'angle pour bras de mesure | 20 Ouvertures |
| 13 Bras de mesure avec magasin à diapositives | 21 Capot en verre plombé |
| 14 Plateau presseur | 22 Tourillons de fermeture du couvercle de protection |
| 15 Graduation angulaire pour porte-échantillon | 23 Echelle de distance de la tache cathodique |
| 16 Porte-échantillon | 24 Douilles 4 mm pour le montage de l'entraînement moteur |
| 17 Ouverture de sortie de rayon avec collimateur en laiton | 25 Sélecteur de haute tension |
| 18 Vis d'arrêt pour capot en verre plombé | 26 Voyant de contrôle de la tension du secteur (blanc) |
| | 27 Voyant de contrôle de haute tension (rouge) |



- 28 Porte-fusible pour tension de secteur
- 29 Porte-fusible pour haute tension
- 30 Sélection de tension secteur

- 31 Ouverture d'aération du boîtier
- 32 Branchement secteur

4. Description

L'appareil à rayons X sert à la réalisation d'expériences diverses sur les thèmes suivants :

- propriétés des rayons X :
 - radio exposition
 - propagation rectiligne
 - ionisation
 - radiographie
- radiation fluorescente
- blindage de rayons X
- expériences sur l'absorption
- loi sur la distance
- dosimétrie et protection contre les radiations
- diffraction de rayons :
 - méthode de Laue,
 - méthode de Debye-Scherrer,
- réflexion de Bragg,
 - loi de déplacement de Duane-Hunt (détermination de h)
- loi de Moseley.

Un goniomètre horizontal à tube compteur est intégré dans l'appareil à rayons X. Il est constitué d'un bras de mesure pivotant et d'un porte-échantillon central. Le bras pivotant sous forme de magasin pour diapositives sert à loger le tube compteur Geiger-

Müller (U19201), la chambre d'ionisation (U19208) ainsi que les appareils d'expérimentation au format de diapositives ou sur un socle de 50 mm x 50 mm (comme cela est par exemple le cas pour U19205, U19206, U19207). Le bras pivotant peut être tourné à la main, indépendamment du porte-échantillon ou avec un couplage angulaire fixe de ratio 2:1, notamment pour réaliser des expériences sur la réflexion de Bragg. La chambre d'expérimentation est logée dans un boîtier fermé équipé d'un couvercle de protection transparent blindé. En raison du verrouillage de sécurité, le capot de protection ne peut être ouvert qu'après la mise hors service de la touche de haute tension et un temps d'évanouissement de la haute tension de 2 secondes. Une minuterie avec un temps de commutation de 1 heure maximum permet également le réglage de temps d'exposition plus longs et empêche un fonctionnement continu incontrôlé de l'appareil. Le tube à rayons X à vide très poussé avec cathode en tungstène et anode en cuivre directement chauffées se trouve dans un verre de borosilicate pourvu d'une fenêtre concave à fines parois pour l'émission du rayon. Un capot en verre plombé avec collimateur en laiton laisse le rayon X sortir parallèlement à la partie supérieure de l'appareil et offre un blindage contre le rayonnement diffusé. A sa sortie, le rayon X frappe une plaque de blindage en aluminium et plomb portant un symbole d'avertissement contre les radiations dont le diamètre correspond avec le rayon non collimaté.

5. Fournitures

- 1 Appareil de base
- 1 Tube à rayons X
- 1 Prise à jack
- 2 Fusibles
- 1 Panneau d'avertissement en allemand, anglais, français et espagnol
- 1 Instructions d'utilisation

6. Caractéristiques techniques

Tube à rayons X :

- Tension anodique : 20/30 kV commutable, stabilisée électroniquement
- Courant d'émission : réglage continu de 0 à 80 μ A, stabilisé électroniquement
- Dose d'irradiation : < 0,1 mrem/h¹ in 0,1 m de distance de la surface de contact
- Chauffage de cathode : 4 V, 1 A
- Tache cathodique : 5 mm x 1 mm
- Matériau de l'anode : Cu
- Collimateur en verre plombé : 5 mm \emptyset
- Divergence du rayon : mieux que 10°
- Longueur d'onde du rayon
- Caractéristique : Cu -K α : 154 pm
Cu -K β : 138 pm
- Dimensions : 100 mm x 32 mm \emptyset

Goniomètre à tube compteur :

- Etendue de pivotement : 0°
+10° à +130° et
-10° à -130° par rapport à l'axe du rayon
- Couplage angulaire : indépendant du porte-échantillon ou dans un rapport 2:1
- Précision de mesure de l'angle de Bragg 2 θ : 5 minutes d'arc
- Minuterie : 0 à 60 min, réglage en continu
- Connexion : 115 V / 230 V, 50/60 Hz par câble secteur
- Puissance absorbée : 100 VA
- Dimensions : 250 mm x 370 mm \emptyset
- Masse : 9 kg

7. Pièces de rechange et accessoires

- 1. Tube à rayons X de rechange U19204
- 2. Equipement de base pour l'appareil à rayons X U19205

Cet équipement permet la réalisation d'expériences qualitatives et quantitatives : propagation rectiligne, ionisation et capacité de pénétration des rayons X ainsi que radiographie, pour démontrer le caractère ondulatoire du rayon X, pour étudier le rayonnement X fluorescent et pour déterminer les coefficients d'absorption des masses.

L'ensemble comprend :

- 1 écran fluorescent
 - 1 caméra Debye-Scherrer
 - 2 cassettes film
 - 1 masque en plomb
 - 2 électrodes à plaque sur broche de contact 4 mm
 - 1 collimateur à diaphragme à fente, 1 mm
 - 1 collimateur à diaphragme perforé, \emptyset 1 mm
 - 1 magasin supplémentaire avec diaphragme circulaire
 - 2 diaphragmes à fente, 1 mm / 3 mm
 - 1 diaphragme perforé, \emptyset 9,5 mm
 - 2 monocristaux, LiF, NaCl
 - 2 mini-cristaux, LiF
 - 1 échantillon de poudre, LiF
 - 10 fils de Cu
 - 4 films d'absorption, Ni, Cu, Co, Zn
 - 1 revolver à film de diffusion, avec les éléments V, Cr, Mn, Fe, Co, Ni, Cu, Zn
 - 1 déclencheur à distance pour revolver à film de diffusion
 - 1 lot d'accessoires pour le montage (colle à acétate, clips)
 - 1 coffret de rangement adapté
3. Accessoires de cristallographie pour l'appareil à rayons X U19206
- Ces accessoires sont utilisés pour des analyses cristallographiques avancées, pour l'élaboration de la loi de Moseley, de la méthode de Debye-Scherrer, de la réflexion de Bragg ainsi que pour l'étude de matériaux.
- L'ensemble comprend :
- 4 films, Fe, V, Mn, Cr
 - 2 monocristaux, KCl, RbCl
 - 5 échantillons de poudre, NaF, SiC, NH₄Cl, MgO, Al

- 2 échantillons de fils, 3 x Al, 3 x Nb pour l'étude de la méthode de Debye-Scherrer
10 fils de polyéthylène
1 disque servant à calculer l'angle de Bragg
4. Accessoires de radiographie pour l'appareil à rayons X U19207
Ces accessoires permettent la réalisation d'expériences sur les thèmes suivants : dispersion, absorption, rapport entre tension d'accélération / courant d'émission et capacité de pénétration, capacité de résolution ; blindage, épaisseur de demi-atténuation ; temps d'exposition, contrôle de matériau non destructif.
L'ensemble comprend :
1 croix de Malte
1 fantôme
1 écran perforé
1 couche d'aluminium, étagée
5 absorbeurs d'aluminium, 0,1/0,25/0,5/1,0/2,0 mm
1 absorbeurs de plomb, 0,5 mm
1 absorbeurs de plastique
2 aimants
4 modèles d'essai (porosité, fissures, soudure, peinture)
5. Pack de films #2 pour radiographie U19209
Ce pack contient des films hautement sensibles de radiographie pour rayons α , β et X. Un emballage individuel des feuilles dans des boîtes en plastique opaques permet un développement et un fixage à la lumière du jour.
L'ensemble comprend :
20 feuilles 38 mm x 35 mm dans des boîtes plastiques opaques
1 flacon de révélateur pour radiographies
1 flacon de fixage pour radiographies
1 seringue avec canule pour le remplissage des produits chimiques dans les boîtes de films
1 jeu d'agrafes métalliques
6. Pack de films #4 pour enregistrements de Debye-Scherrer U19210
Comme pour le pack #2 mais avec
12 feuilles de 150 mm x 12 mm dans des boîtes en plastique opaques pour caméra Debye-Scherrer.
7. Entraînement moteur U19202-115 / U19202-230
L'entraînement moteur est utilisé pour l'étude des structures selon la méthode au cristal en association avec la caméra Debye-Scherrer.
- Raccord secteur : 115/230 V, 50/60 Hz
Puissance absorbée : 3 VA
8. Chambre d'ionisation pour l'appareil à rayons X U19208
Cette chambre sert à l'étude de l'ionisation de l'air et d'autres gaz sous différentes pressions par le rayonnement X (caractéristique de saturation, modèle d'un tube compteur de Geiger-Müller, dosimétrie).
Tension de service : max. 2 kV
Courant d'ionisation : 10^{-11} à 10^{-10} A
Electrode : 75 mm long
Chambre : 85 mm x 25 mm \emptyset
Arbre de tuyau : 5 mm \emptyset
9. Tube de Geiger-Müller U19201
Tube compteur à halogène à impulsions non rémanent pour l'enregistrement de rayons α , β , γ et X.
Plage du taux de dosage : 10^{-3} à 10^2 mGy/h
Occupation de masse de la surface active (mica) : 2,0 à 3,0 mg/cm²
Tension de service : 500 V
Connexion : BNC
Longueur de câble : 1 m
Dimensions : 57 mm x 22 mm \emptyset
10. Fréquencemètre U19203
Le fréquencemètre est utilisé pour compter les impulsions du tube compteur et pour mesurer le courant d'émission du tube à rayons X. En association avec l'affichage numérique à seuil réglable (U18620), les signaux de sortie, la tension du tube compteur, les taux de comptage ainsi que le courant peuvent être visualisés directement.
Entrée de mesure de courant : douille jack 0 à 200 μ A
Plages de mesure fréquencemètre :
0 à 2000 Imp/s
0 à 20 000 Imp/s
Temps de comptage : 3 s, 15 s, 30 s, 60 s
11. Affichage numérique à seuil réglable U18620
Afficheur numérique pouvant être utilisé directement avec le fréquencemètre (U19203). L'appareil est équipé de quatre canaux d'entrée avec limites inférieure et supérieure réglables pouvant être signalées par voie acoustique.
Affichage : 3½ chiffres, hauteur 12,5 mm
Dimensions : 105 mm x 76 mm

8. Manipulation

8.1 Vérification des dispositifs de protection contre les radiations

Avant toute mise en service de l'appareil, vérifier les divers dispositifs de protection contre les rayonnements quant à leur fonctionnement en bonne et due forme. Effectuer le contrôle conformément aux étapes de vérification indiquées ci-dessous. En cas de réclamation, mettre immédiatement l'appareil hors circuit. Si le défaut ne peut être éliminé sur la base des conseils formulés au paragraphe 10, faire réparer l'appareil à rayons X par le fabricant. L'appareil peut être employé lorsque le contrôle de sécurité a été mené avec succès.

- Vérifier que le couvercle blindé est bien intact.
- Vérifier la fixation de la plaque de blindage portant le panneau d'avertissement contre les radiations.
- Vérifier que les tourillons du couvercle blindé sont bien intacts.
- Vérifier que le dôme en verre plombé et le colimateur en laiton sont exempts de tout dommage et bien fixés.
- Vérification du fonctionnement du voyant de contrôle du secteur : pour effectuer cette vérification, fermer le couvercle blindé, raccorder l'appareil au secteur, régler la minuterie, actionner l'interrupteur à clé. Le voyant de contrôle du secteur doit être allumé. Le voyant de contrôle de haute tension doit être éteint.
- Vérification du fonctionnement de la minuterie : pour effectuer cette vérification, actionner l'interrupteur à clé et régler la minuterie.
- Vérification du relais de la minuterie : régler la minuterie à 0. Le voyant de contrôle du réseau doit être éteint lorsque l'interrupteur d'alimentation est enclenché.
- Vérifier le fonctionnement du voyant de contrôle de la haute tension : le capot de protection étant fermé et verrouillé (pivot de fermeture en position centrale), régler la durée sur la minuterie et actionner l'interrupteur à clé. Le voyant de contrôle ne doit pas encore briller. Régler la haute tension avec la touche. Le voyant de contrôle et l'anneau lumineux de la touche doivent briller.
- Vérifier la fonction de commutation des éléments de sécurité dans la charnière du capot : la haute tension étant activée, déplacer le capot vers le côté, sans toutefois l'ouvrir ; le pivot de fermeture reste donc dans l'une des extrémités de la fente en forme d'haltère. La haute tension et ainsi le voyant de contrôle de la haute tension et l'anneau lumineux doivent s'éteindre.

8.2 Mise en service de l'appareil à rayons X

8.2.1 Ouverture, fermeture et verrouillage du couvercle blindé

- Pour ouvrir le couvercle blindé, déplacer ce dernier latéralement, du côté où se trouve le bras de mesure et l'ouvrir.
- Pour fermer le couvercle de blindage, introduire le tourillon de fermeture dans l'extrémité de la fente en forme d'haltère, du côté où se trouve le bras de mesure.
- Déplacer le couvercle blindé sur le côté de manière à entendre clairement le tourillon de fermeture s'enclencher dans la position médiane.

Le couvercle est à présent sécurisé contre toute ouverture directe. La haute tension peut être enclenchée.

8.2.2 Mise sur circuit de l'appareil à rayons X

- Régler le temps de présélection sur la minuterie
- Brancher l'appareil à rayons X au moyen de l'interrupteur à clé.

Le voyant de contrôle du secteur brille. Lorsque le temps réglé s'est écoulé, l'appareil s'arrête.

8.2.3 Fermeture du capot de protection et activation de la haute tension

- Après avoir branché la tension secteur, sélectionner la haute tension souhaitée $U = 20 \text{ kV} / 30 \text{ kV}$ au moyen de l'interrupteur à coulisse.
- Fermer le couvercle blindé et le verrouiller en positionnant le tourillon de fermeture au milieu.
- Actionner l'interrupteur à touches de haute tension.

Le voyant de contrôle de la haute tension et l'anneau lumineux de la touche brillent et il se forme un rayon X.

- Démontrer le rayonnement X au moyen de l'écran fluorescent, de la chambre d'ionisation ou du tube de Geiger-Müller.

8.2.4 Réglage et mesure du courant d'émission

- Brancher un voltmètre d'un calibre de 10 V CC à la douille jack via un câble adaptateur.
- Avec un tournevis, régler le courant d'émission souhaité sur le potentiomètre à vis.

On a l'équation suivante :

$$I_A [\text{A}] = U_A [\text{V}] / 10^5 [\text{Ohm}]$$

Un courant de tube par ex. de 80 μA s'affiche sur le voltmètre comme tension continue de 8 V.

8.2.5 Désactivation de la haute tension et ouverture du capot de protection

- Actionner la touche de haute tension, attendre la temporisation du déverrouillage de sécurité du capot et déplacer le capot de protection vers le côté.

8.2.6 Porte-échantillon

Les monocristaux (NaCl, LiF, etc.) peuvent être fixés sur le porte-échantillon (voir Fig. 5). Dévisser la vis pour enlever la griffe de serrage et le support.

- Fixer le monocristal sur le porte-échantillon en utilisant la griffe de serrage et définir ainsi l'ajustement angulaire du cristal. La face rugueuse du cristal doit être dirigée vers le tube à rayons X.
- Lire l'angle θ entre le porte-échantillon et l'axe du rayon sur la graduation angulaire pour le porte-échantillon.

8.2.7 Bras de mesure

Le bras de mesure est équipé de 18 emplacements enfichables pour les accessoires d'expérimentation et les appareils de démonstration. L'angle 2θ entre le bras de mesure et l'axe du rayon se lit sur la graduation angulaire pour le bras de mesure. La graduation du bouton de réglage de précision sert à la mesure précise de l'angle. A cet effet :

- Régler le bras de mesure sur l'angle 2θ entier suivant.
- Régler ensuite le bouton de réglage précis sur 0 contre la tension du fil en maintenant fermement le bras de mesure.

Le bras de mesure peut encore être réglé de $\pm 4^\circ$ sur le bouton de réglage précis.

- Lire l'angle relative sur la graduation du bouton de réglage précis (précision d'environ 5 minutes d'arc).

8.2.8 Couplage angulaire de ratio 2:1

Lors de l'enregistrement d'un spectre de Bragg, tourner le bras de mesure avec un angle double 2θ et, simultanément, le porte-échantillon avec un angle θ .

- Régler exactement le bras de mesure et le porte-échantillon sur $\theta = 0^\circ$.
- Visser avec précaution le plateau presseur.

A chaque mouvement du bras de mesure, le porte-échantillon se déplace à présent également d'un demi-angle (voir Fig. 4).

- Dévisser le plateau presseur de 1 à 2 tours pour supprimer le couplage

8.3 Remplacement des fusibles

- Débrancher la prise secteur.

8.3.1 Fusible secteur

- ouvrir le porte-fusible de tension secteur sur le fond du boîtier en le dévissant.
- Insérer le nouveau fusible de valeur correcte (T1A, 250 V).
- Refermer le porte-fusible en le vissant.

8.3.2 Fusible haute tension

- Ouvrir le porte-fusible de haute tension sur le fond du boîtier en le dévissant.
- Insérer le nouveau fusible de valeur correcte (T1A, 250 V).
- Refermer le porte-fusible en le vissant.

8.4 Remplacement des lampes

- Débrancher la prise secteur.
- Dévisser le couvercle plastique des voyants de contrôle du secteur ou de haute tension.
- Dévisser la lampe à l'aide d'un petit morceau de tuyau en plastique et la remplacer par une nouvelle :

Voyant de contrôle de la tension du secteur :

6 V / 0,05 A

Voyant de contrôle de haute tension : 6 V / 0,1 A

- Revisser le couvercle.

8.5 Ajustage du tube à rayons X

L'appareil à rayons X est livré avec un tube à rayons X ajusté en usine. En règle générale, un ajustage supplémentaire n'est donc pas nécessaire. Un dérèglement peut cependant être provoqué par le transport et rendre un réajustage nécessaire.

8.5.1 Ajustage de la hauteur du tube à rayons X

- Insérer le tube dans les rainures 17 et 20 du bras de mesure et le placer à la position 0° en le faisant tourner.
- Insérer le diaphragme à fente 1 mm (U19205) en position horizontale dans la rainure 13.
- Placer le diaphragme perforé de 1 mm \emptyset (U19205) sur le collimateur en laiton du capot en verre plombé.
- Mettre l'appareil à rayons X sur circuit et sélectionner une haute tension de 20 kV.
- Régler le courant d'émission de façon à ce que le tube compte environ 200 à 400 impulsions/seconde (voir 8.2.4).
- Enlever le capuchon en caoutchouc situé sur la face arrière de l'appareil et modifier la hauteur du tube à rayons X sur la vis à présent accessible de manière à obtenir le taux de comptage maximum.
- Replacer le capuchon en caoutchouc.

8.5.2 Ajustage latéral du tube à rayons X

- Débrancher l'appareil à rayons X et ouvrir le couvercle blindé.
- Insérer verticalement le diaphragme à fente 1 mm (U19205) dans la rainure 30.
- Fixer le collimateur à diaphragme à fente 1 mm (U19205) en position verticale sur le collimateur en laiton du capot en verre plombé.

- Enlever la griffe de serrage du porte-échantillon et placer les baguettes en verre (U19205) sur le porte-échantillon au moyen du clip de montage (voir Fig. 5).
- Brancher la tension secteur.
- Repérer le tube à rayon X à travers les deux fentes. La baguette de verre doit se trouver au milieu de la tache cathodique sur l'anode.
- Si elle ne se trouve pas dans cette position, tourner légèrement le capot en verre plombé. Dévisser les vis à cet effet.
- Enlever à nouveau les baguettes en verre et le clip de montage.
- Fixer le mini-cristal LiF sur le porte-échantillon pour effectuer le réglage de précision.
- Positionner le bras de mesure et le porte-échantillon sur 0° .
- Effectuer le couplage angulaire de ratio 2:1 (voir 8.2.8).
- Régler le bras de mesure sur l'angle $2\theta = 45^\circ$. Sélectionner le côté du goniomètre pour que le rayon incident et le rayon réfléchissant se situent sur la face inclinée du porte-échantillon (voir également Fig. 5).
- Régler la haute tension sur 30 kV, fermer le couvercle blindé et mettre la haute tension sur circuit.
- Chercher le reflet Cu-K_α (valeur de référence bibliographique dans les ouvrages pour $\text{LiF} = 44^\circ 56'$). La valeur de mesure doit correspondre à la valeur de référence bibliographique dans un cadre de $30'$.
- Si la valeur obtenue ne se situe pas dans cette plage de tolérance, vérifier les étapes précédentes et les répéter.
- Si la valeur de mesure se trouve toujours en dehors de la plage de tolérance, régler le bras de mesure sur la valeur moyenne entre valeur de mesure et valeur de référence bibliographique.
- Enlever le capuchon en caoutchouc supérieur situé sur la face arrière de l'appareil, incliner le tube à rayons X au moyen de la vis à présent accessible et maximiser le taux de comptage.
- Chercher le maximum du reflet en utilisant le bras de mesure. Si nécessaire, procéder à un ajustage jusqu'à ce que la valeur de mesure et la valeur de référence à l'intérieur d'une plage de tolérance de $30'$.

9. Instructions d'utilisation des accessoires

9.1 Montage des collimateurs (U19205)

Les collimateurs servent à réduire la divergence de rayon.

- Fixer l'un des collimateurs directement sur le collimateur en laiton du capot en verre plombé.

9.2 Montage de fentes et autres objets d'expérimentation au format de diapositives sur le bras de mesure

- Insérer l'objet d'expérimentation au format de diapositive concerné dans la rainure du bras de mesure et le fixer au moyen de la borne à ressort.

9.3 Chambre d'ionisation (U19208)

- Assembler la chambre d'ionisation conformément à la Fig. 6.

Pour l'étude de l'effet ionisant du rayonnement X sous pression normale, utiliser le couvercle à grande ouverture, sous pression réduite (principe du tube de Geiger-Müller), employer le couvercle avec le raccord d'évacuation.

- Canaliser les conduites d'alimentation en tension ainsi que la conduite de pompage à travers les passages de la chambre d'expérimentation vers l'extérieur. Equiper le câble d'expérimentation avec les connecteurs livrés.
- Insérer la chambre d'ionisation dans le bras de mesure (voir Fig. 2).

9.4 Tube de Geiger-Müller (U19201)

- Insérer le support du tube dans le magasin de diapositives du bras de mesure et le fixer au moyen des bornes à ressort (voir Fig. 3).

9.5 Revolver à film de diffusion (U19205)

Le revolver à film de diffusion contient 8 feuilles métalliques qui peuvent être tournées successivement dans la trajectoire du rayon par déclencheur à distance. Les symboles des éléments sont affichés dans une fenêtre située sur la face arrière du revolver.

- Enlever la griffe de serrage du porte-échantillon (voir Fig. 9).
- Placer le revolver à film de diffusion avec la cavité en forme de demi-cercle sur le porte-échantillon.
- Visser le déclencheur à distance sur le revolver à film de diffusion et vérifier son fonctionnement.
- Faire sortir le déclencheur à distance en dessous du couvercle blindé.

9.6 Caméra Debye-Scherrer (U19205) et entraînement moteur (U19202)

La caméra Debye-Scherrer-Kamera est constituée de trois parties : Boîtier, couvercle et support de serrage à roue conique (voir Fig. 7). La réalisation de clichés suivant la méthode de Bragg est par exemple possible en liaison avec l'entraînement moteur.

- Enlever la griffe de serrage du porte-échantillon, régler le bras de mesure sur $2\theta = 90^\circ$ et le porte-échantillon sur $\theta = 90^\circ$. Ce faisant, veiller à ce que la face lisse du porte-échantillon soit dirigée vers le tube à rayons X.
- Fixer le collimateur 1 mm sur le collimateur en laiton du capot en verre plombé.
- Placer le boîtier de la caméra Debye-Scherrer à titre d'essai entre le capot en verre plombé et le porte-échantillon (voir Fig. 7). Si la fixation de la caméra n'est pas complètement exempte de jeu, procéder à un réglage avec la vis située sur le fond de la caméra.
- Charger la caméra en chambre noire avec un film radiographique du pack de films #4 (U19210). Placer le film tout près de la paroi du cylindre intérieur.
- Pour la réalisation de clichés suivant la méthode de Bragg, placer en outre un film du pack de films #2 (U19209) au fond de la caméra.
- Fixer l'échantillon dans le mandrin du support de serrage, fermer le couvercle de la caméra et placer le support de serrage muni de l'échantillon dans la caméra.
- Placer la caméra sur le porte-échantillon.
- Si nécessaire, positionner également l'entraînement moteur (U19202) conformément à la Fig. 8. Enficher à cet effet le connecteur du moteur dans la douille 4-mm. Veiller à ce que les engrenages coniques fonctionnent parfaitement. La position de la roue conique du moteur peut être modifiée sur l'axe à l'aide de la clé six pans (BTR) livrée.

9.7 Films radiographiques (U19209/U19210)

9.7.1 Développement

- Avant d'introduire le liquide dans la seringue, tirer le piston de 1 ml vers le haut, de façon à ce que de l'air se situe au-dessus du liquide. L'ensemble du liquide est ainsi expulsé hors de la seringue et de la canule dans la boîte de film.
- Placer la canule dans l'une des ouvertures située près de l'impression en relief sur la boîte de film et injecter le révélateur.

S'assurer que les deux côtés du film sont bien humidifiés par le révélateur et que ce dernier est bien réparti dans la boîte pendant toute la durée du développement.

- Exercer en outre une légère pression avec l'index et le pouce sur la boîte de film.
- Injecter le fixateur dans la boîte après le développement sans enlever auparavant le révélateur.

Développement	Révélateur	Fixateur
Durée	1½ min.	4 min.
Pack de films #2	2½ ml	3½ ml
Pack de films #4	3½ ml	5 ml

9.7.2 Prélèvement du film

- Après avoir effectué le développement du film, couper un coin de la boîte à l'aide d'une paire de ciseaux et éliminer le liquide de la boîte en exerçant une légère pression.
- Couper ensuite l'extrémité de la boîte et ôter le film de la boîte avec l'agrafe métallique.
- Tenir le film quelques minutes sous un filet d'eau pour le nettoyer avant de le regarder.

Si le film doit être archivé, augmenter le temps de fixage à 10 minutes supplémentaires et le nettoyer pendant 30 minutes sous un filet d'eau courante. Un fixateur en vente dans le commerce avec ou sans durcisseur peut être utilisé à cet effet.

9.7.3 Stockage des produits chimiques

Alors que le fixateur est assez stable, l'air contenu dans le flacon de révélateur peut entraîner la désagrégation de ce dernier.

- Transvaser un révélateur contenu dans un flacon à moitié vide et qui doivent être conservé pendant une période assez longue dans un flacon plus petit. Il sera ainsi utilisable beaucoup plus longtemps.
- Lors de la fermeture d'un flacon de révélateur ouvert, amener le niveau de liquide jusqu'au bord de l'ouverture du flacon en exerçant une pression sur le flacon pour que celui-ci contienne le moins d'air possible lorsqu'il est fermé.
- Lors de l'élimination des produits chimiques, respecter les directives locales en vigueur.

9.7.4 Informations générales

Lors de l'exposition des films radiographiques, observer une distance aussi réduite que possible entre le film et l'objet et une distance aussi grande que possible entre le film et la source de rayonnement en accord avec un temps d'exposition adéquat et avec la taille de la source de rayonnement.

Le film peut également être exposé aux rayons beta et gamma de sources de rayonnement pauvres en énergie disponibles dans les écoles.

Un rayonnement possédant un pourcentage élevé de rayons X « doux » peut rendre le dessin des boîtes de film visible sur le cliché développé.

L'emballage dans les boîtes en PVC peut provoquer des marques de pression aux bords du film. Ces bords peuvent éventuellement être fortement noircis après le développement.

10 Instructions en vue de l'élimination de défauts

Défaut	Cause possible	Remède
Le voyant de contrôle secteur ne fonctionne pas, bien que le raccordement secteur ait été vérifié.	Minuterie réglée sur 0 Fusible secteur défectueux Fusible de haute tension défectueux Lampe d'affichage défectueuse Autres causes	Régler le temps de présélection Remplacer le fusible (voir paragraphe 8.3) Remplacer le fusible (voir paragraphe 8.3) Remplacer la lampe (voir paragraphe 8,4) Faire vérifier l'appareil par le fabricant
Lorsque la haute tension est activée et que le courant de tube présélectionné $> 0 \mu\text{A}$, le chauffage cathodique ne chauffe pas, bien que le voyant secteur brille	Cathode défectueuse Circuit de réglage du chauffage défectueux	Faire vérifier l'appareil par le fabricant
Le voyant de contrôle de haute tension ne fonctionne pas, bien que le voyant de contrôle du secteur soit allumé	Circuit de sécurité Lampe d'affichage défectueuse Autres causes	Contrôler le circuit de sécurité en suivant les instructions du paragraphe 8.1, notamment le verrouillage du capot en verre plombé, la fermeture et le blocage du couvercle blindé Remplacer la lampe (voir paragraphe 8,4) Faire vérifier l'appareil par le fabricant
La haute tension grésille directement après la mise en circuit	Humidité sous le capot en verre plombé	Déverrouiller, puis retirer le dôme en verre au plomb, essuyer avec un chiffon sec, puis le remettre et le verrouiller
La cathode s'allume brièvement lors de la mise hors circuit de la haute tension (l'afterflash)	Ce n'est pas un défaut ; sert à la décharge des composants haute tension	
Absence de rayonnement X, bien que la haute tension soit sur circuit	Cathode ne chauffe pas Courant d'émission trop faible	Faire vérifier l'appareil par le fabricant Attention ! la haute tension reste encore appliquée sur le tube pendant plusieurs heures suivant sa mise hors circuit ! Régler le courant d'émission (voir

	<p>Absence de courant d'émission</p> <p>Collimateurs ou assimilés dans la trajectoire de rayonnement</p> <p>Tube à rayons X déréglé</p>	<p>paragraphe 8.2.4)</p> <p>Faire vérifier l'appareil par le fabricant</p> <p>Contrôler le montage de l'expérience</p> <p>Ajuster le tube à rayons X (voir paragraphe 8.5)</p>
--	---	--

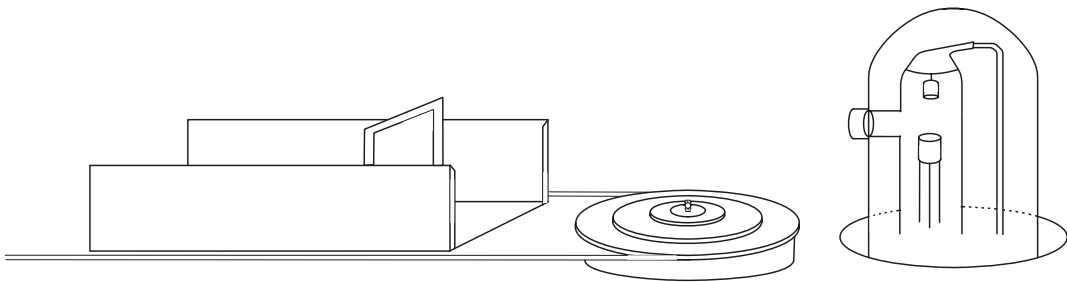


Fig. 1 Montage de l'écran fluorescent dans le bras pivotant

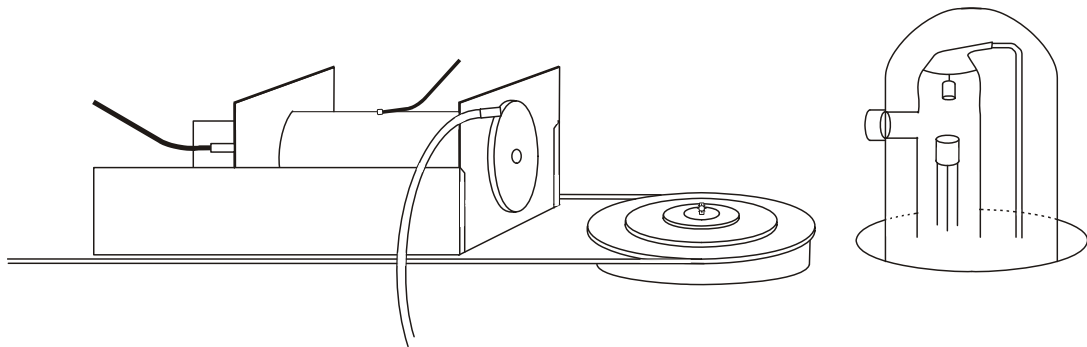


Fig. 2 Montage de la chambre d'ionisation dans le bras pivotant

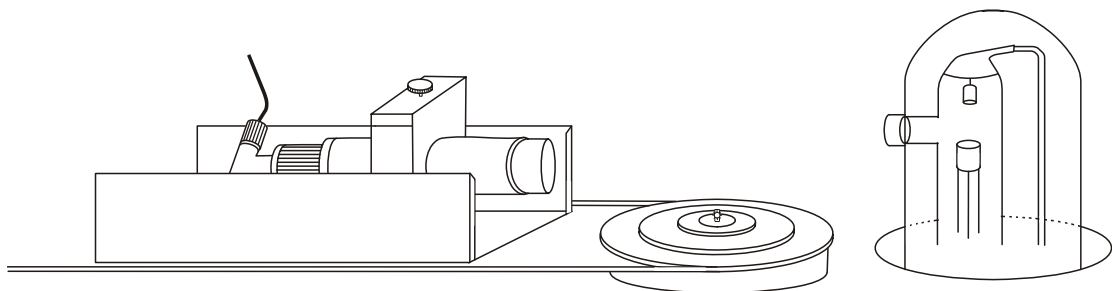


Fig. 3 Montage du tube de Geiger-Müller dans le bras pivotant

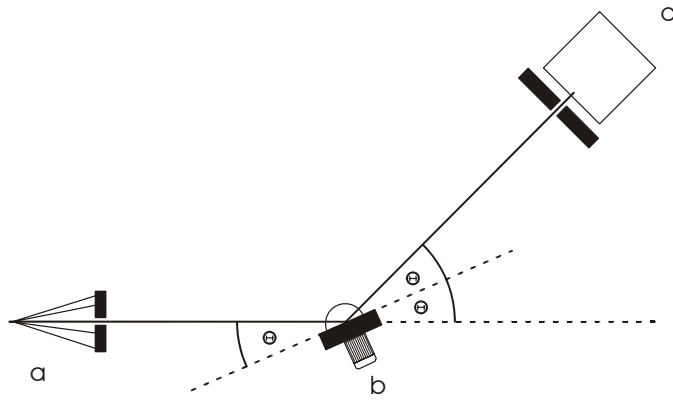


Fig. 4 Géométrie de la réflexion de Bragg (a Tube à rayons X, b Monocristal, c Tube compteur)

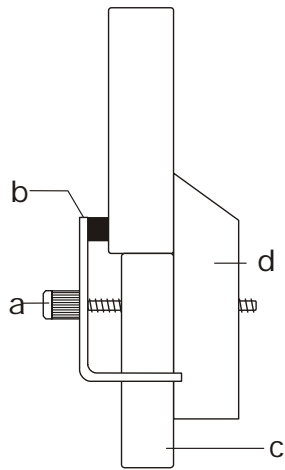


Fig. 5 Montage du cristal sur le porte-échantillon (a Vis, b Griffes de serrage, c Support, d Partie fixe du porte-échantillon)

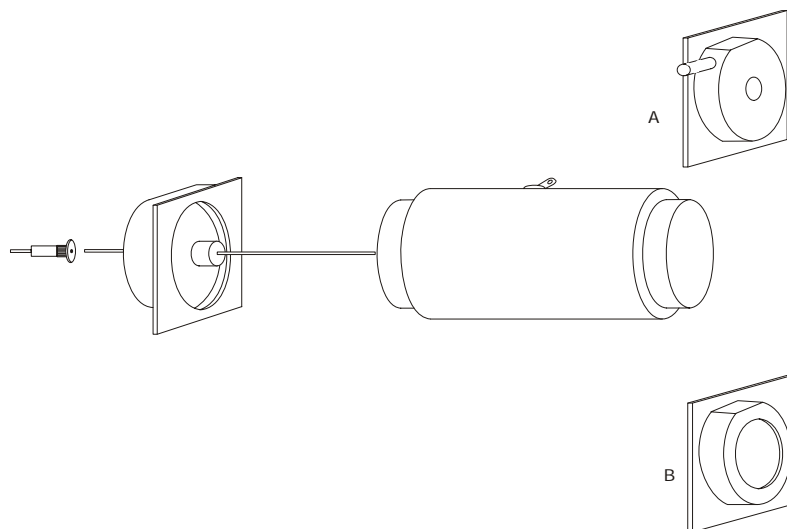


Fig. 6 Assemblage de la chambre d'ionisation (A pour pression réduite, B pour pression d'air normale)

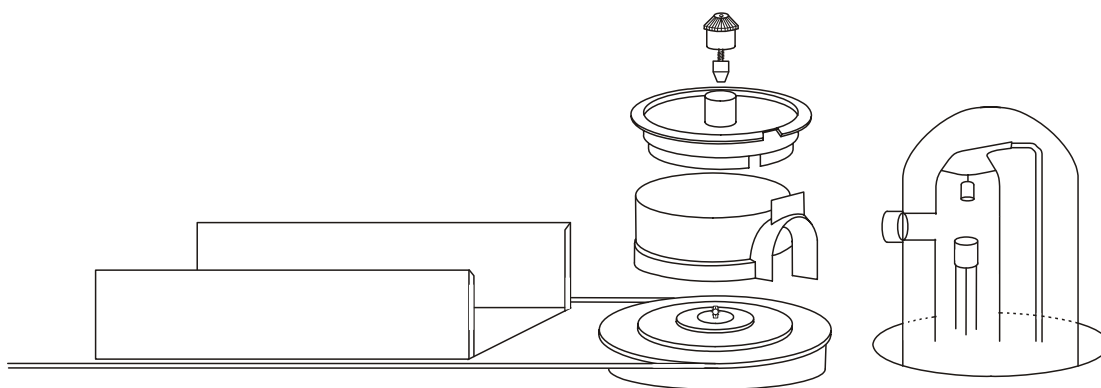


Fig. 7 Montage et démontage de la caméra Debye-Scherrer

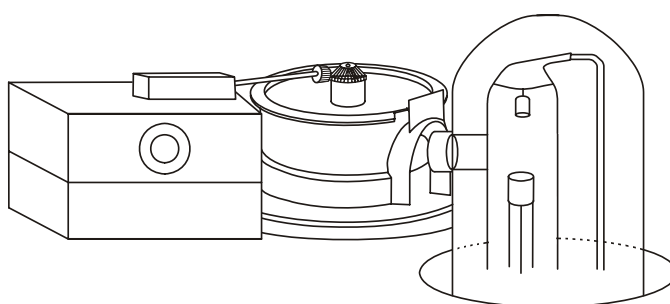


Fig. 8 Caméra Debye-Scherrer avec entraînement moteur

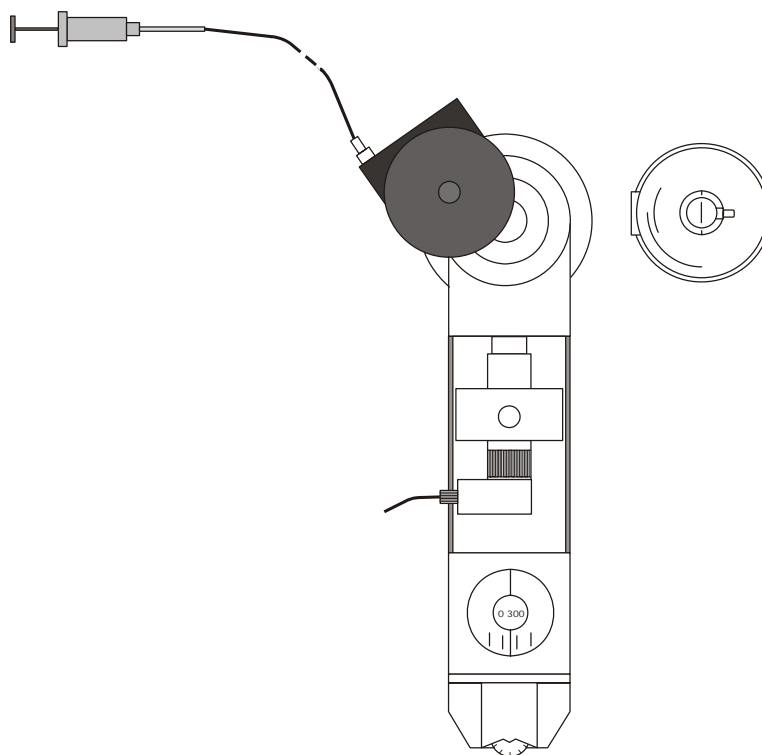
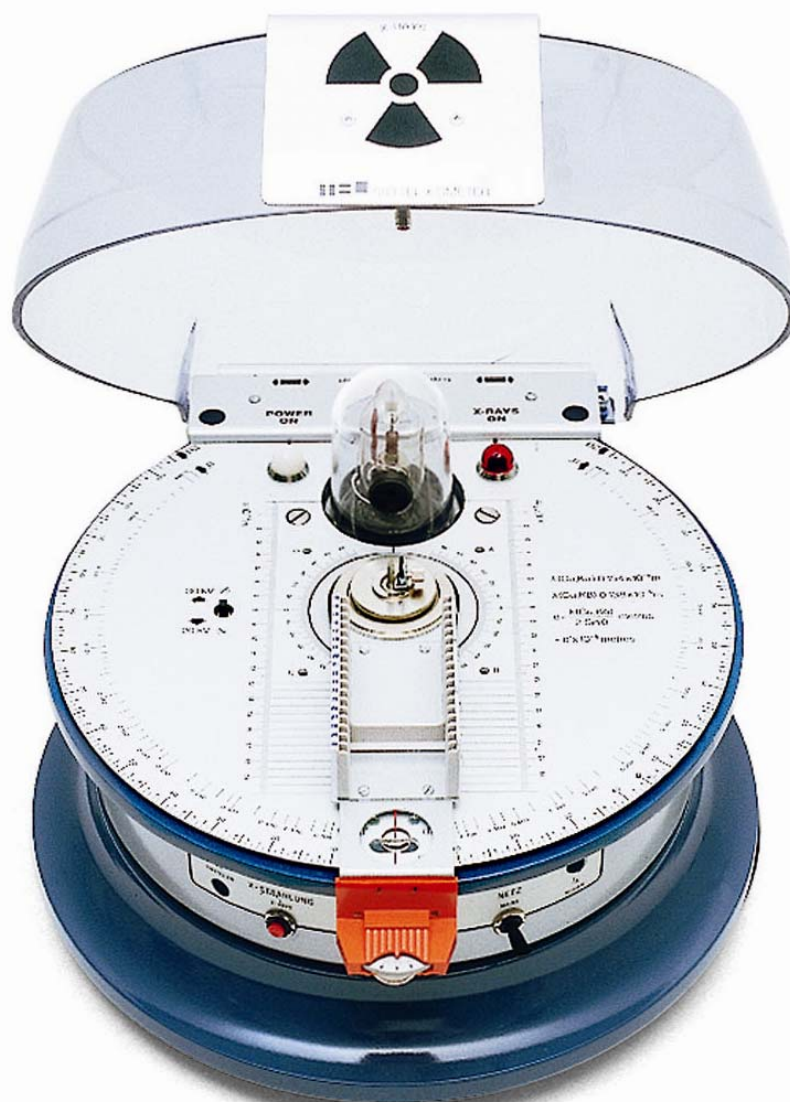


Fig. 9 Montage du revolver à film de diffusion

Apparecchi per raggi X U192001

Istruzioni per l'uso

09/08 ALF / Hh



1. Protezione dalle radiazioni

Prima di utilizzare l'apparecchio per raggi X per la prima volta, occorre far sì che la messa in funzione pianificata venga autorizzata dalle autorità competenti, in ottemperanza alle leggi, ordinamenti e disposizioni specifici dei paesi e che essa venga annunciata regolarmente.

Inserire l'alta tensione, e quindi mettere in funzione il tubo per raggi röntgen, solo se il cofano di protezione è abbassato e il circuito di sicurezza è chiuso correttamente. L'alloggiamento è protetto contro le aperture mediante una vite antisvitamento. In tal modo le radiazioni röntgen vengono schermate consentendo di svolgere esperimenti in piena sicurezza.

Non è possibile superare le condizioni di funzionamento massime $U = 30 \text{ kV}$ e $I = 100 \text{ } \mu\text{A}$.

Prima di mettere in funzione l'apparecchio per raggi X, controllare i dispositivi di protezione dalle radiazioni secondo quanto illustrato nel paragrafo 8.1.

Non aprire l'alloggiamento dell'apparecchio per raggi X. Se sull'apparecchio per raggi X vengono effettuate manipolazioni, riparazioni, etc. non pertinenti alla struttura di esperimenti nella camera sperimentale, l'omologazione del modello si estingue e non è più consentito mettere in funzione l'apparecchio per raggi X. Le riparazioni devono essere eseguite esclusivamente dal produttore UK 3B Scientific Ltd.

- Evitare che l'apparecchio venga utilizzato da persone non autorizzate.

2. Norme di sicurezza

L'apparecchio per raggi X corrisponde alle disposizioni di sicurezza per apparecchi elettrici di misura, di comando, di regolazione e da laboratorio della norma DIN EN 61010 parte 1 ed è realizzato in base alla classe di protezione I. L'apparecchio è pensato per l'utilizzo in ambienti asciutti, adatti per strumenti o dispositivi elettrici.

Un utilizzo conforme garantisce il funzionamento sicuro dell'apparecchio. La sicurezza non è tuttavia garantita se l'apparecchio non viene utilizzato in modo appropriato o non viene trattato con cura. Se si ritiene che non sia più possibile un funzionamento privo di pericoli, l'apparecchio deve essere messo immediatamente fuori servizio (ad es. in caso di danni visibili) e al sicuro da ogni funzionamento involontario.

- Subito dopo aver disimballato l'apparecchio per raggi X, verificare che non abbia subito danni durante il trasporto. Se viene appurata la presenza di danni, non mettere in funzione l'apparecchio e informare il produttore UK 3B Scientific Ltd.
- Prima di mettere l'apparecchio in funzione per la prima volta, impostare la corretta tensione di rete sul selettore.

A causa dell'elevata intensità di dose presente all'interno dell'apparecchio a raggi X, il gestore è tenuto a trattare l'apparecchio con particolare cura.

- Prima di mettere in funzione l'apparecchio per raggi X, verificare che alloggiamento, cofano di protezione nonché elementi di comando e di visualizzazione non siano danneggiati e, soprattutto, controllare i dispositivi di protezione dalle radiazioni secondo quanto illustrato nel paragrafo 8.1.
- Non mettere in funzione l'apparecchio per raggi X se presenta danni evidenti e proteggerlo da un funzionamento involontario.
- In caso di anomalie di funzionamento, mettere l'apparecchio fuori servizio e proteggerlo da funzionamenti involontari.
- Se la spia dell'alta tensione si accende nonostante il cofano di protezione non sia chiuso correttamente e bloccato nella posizione centrale, mettere subito fuori servizio l'apparecchio.

Se il riscaldamento del catodo non funziona, quando viene disinserita l'alta tensione l'Afterflash (lampeggiamento del riscaldamento dei tubi allo spegnimento dell'alta tensione) non si attiva. Pertanto, l'alta tensione può essere presente sui tubi per altre 6 ore.

- Per questo motivo, dopo un guasto del catodo, non toccare le parti che trasportano alta tensione prima che siano trascorse 6 ore.
- Staccare sempre la spina di rete prima di sostituire una lampada o un fusibile!

3. Componenti ed elementi di comando



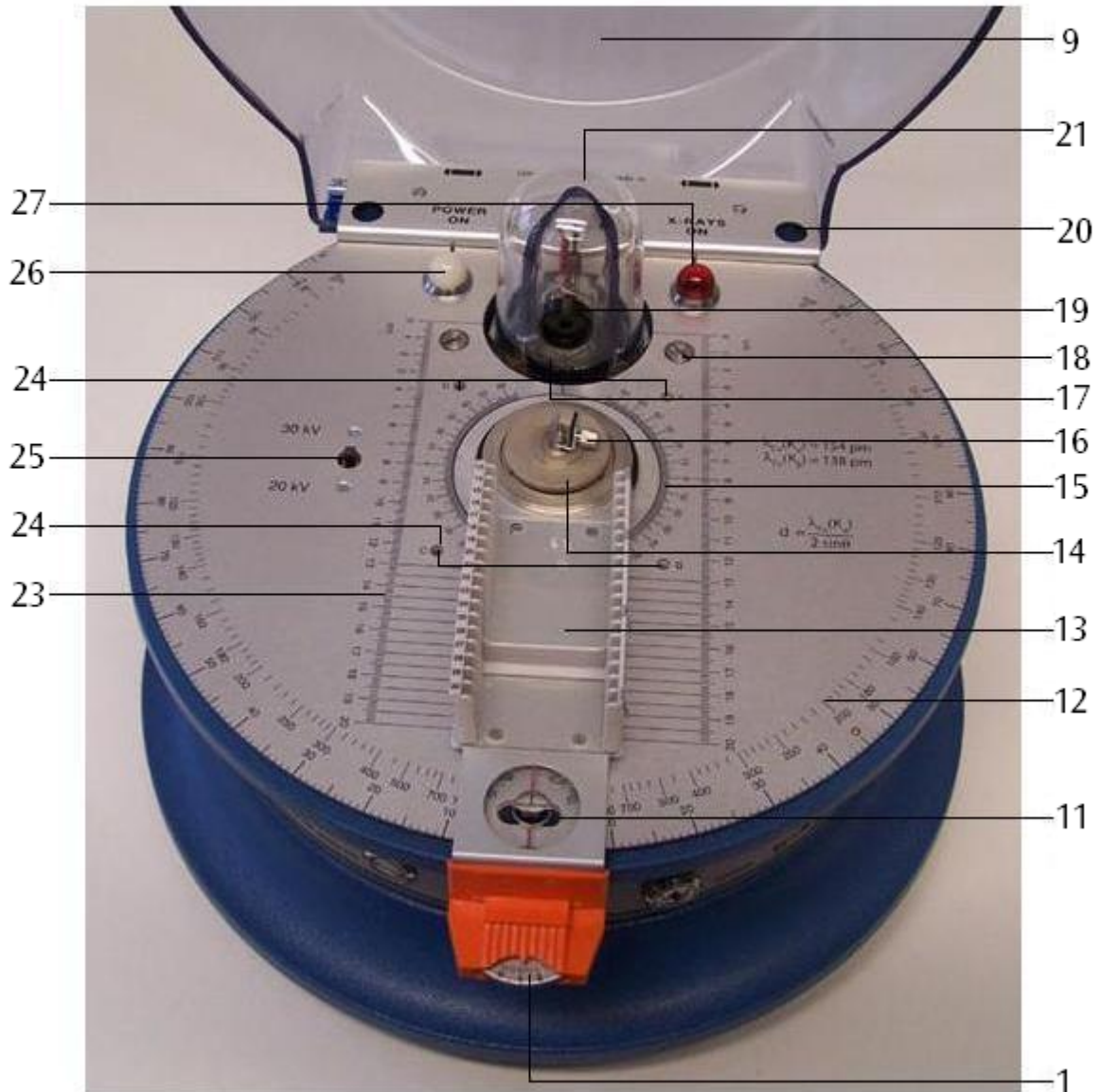
- 1 Regolatore fine per goniometro
- 2 Trimmer potenziometrico per l'impostazione della corrente di emissione
- 3 Pulsante per alta tensione con funzione ON/OFF
- 4 Alloggiamento
- 5 Base

- 6 Temporizzatore
- 7 Interruttore a chiave per tensione di rete
- 8 Jack per misurazione corrente di emissione con uscita di tensione proporzionale alla corrente
- 9 Cofano di protezione
- 10 Piastra di schermatura con targhetta di avvertimento contro le radiazioni



10

22



9

21

20

19

18

17

16

15

14

13

12

11

1

- | | |
|---|--|
| 11 Fessura a forma di peso per il bloccaggio del cofano di protezione | 19 Tubo per raggi röntgen |
| 12 Scala angolare per braccio di misurazione | 20 Bussole |
| 13 Braccio di misurazione con caricatore per diapositive | 21 Duomo in vetro al piombo |
| 14 Piastra di pressione | 22 Perno di chiusura del cofano di protezione |
| 15 Scala angolare per supporto campione | 23 Scala distanziometrica del punto focale |
| 16 Supporto campione | 24 Jack da 4 mm per il montaggio dell'azionamento a motore |
| 17 Apertura per fuoriuscita raggio con collimatore in ottone | 25 Selettore alta tensione |
| 18 Viti di arresto per duomo in vetro al piombo | 26 Spia tensione di rete (bianco) |
| | 27 Spia alta tensione (rosso) |



- 28 Portafusibili per tensione di rete
- 29 Portafusibili per alta tensione
- 30 Selettore tensione di rete

- 31 Apertura per ventilazione alloggiamento
- 32 Attacco di rete

4. Descrizione

L'apparecchio per raggi X viene utilizzato per l'esecuzione di diversi esperimenti sui seguenti argomenti:

- Proprietà dei raggi röntgen:
 - Trasmissione
 - Propagazione lineare
 - Ionizzazione
 - Fotografia a raggi X
- Radiazione a fluorescenza
- Schermatura di radiazioni röntgen
- Esperimenti sull'assorbimento
- Legge della distanza
- Dosimetria e protezione da radiazioni
- Diffrazione dei raggi X:
 - Radiografie di Laue
 - Radiografie di Debye-Scherrer
- Riflessione di Bragg,
 - Legge degli spostamenti di Duane-Hunt (determinazione h)
- Legge di Moseley

Nell'apparecchio per raggi X è installato un contatore-goniometro orizzontale che viene formato nel suo asse di rotazione mediante un braccio di misurazione girevole e un supporto campione. Realizzato sotto forma di caricatore per diapositive, il braccio girevo-

le funge da dispositivo di montaggio per il contatore di Geiger-Müller (U19201), la camera di ionizzazione (U19208) nonché di strumenti sperimentali in formato diapositiva oppure disposti su una piastra di base di 50 mm x 50 mm (ad es. da U19205, U19206, U19207). Il braccio girevole può essere ruotato indipendentemente dal supporto del campione in modo manuale, oppure con un accoppiamento angolare fisso nel rapporto 2:1, ad es. per esperimenti relativi alla riflessione di Bragg. La camera sperimentale è racchiusa in un alloggiamento chiuso con cofano di protezione a prova di radiazioni. Il cofano di protezione può essere aperto solo dopo il disinserimento del pulsante dell'alta tensione e dopo un tempo di decadimento dell'alta tensione di 2 secondi a causa del bloccaggio di sicurezza. Un temporizzatore con tempo di commutazione massimo di 1 ore consente di impostare anche tempi di esposizione più lunghi, prevenendo il funzionamento continuo non controllato dell'apparecchio. Il tubo per raggi röntgen a vuoto spinto con catodo in tungsteno a riscaldamento diretto e anodo di rame è collocato in una camera di vetro al borosilicato con finestra di emissione dei raggi concava, a pareti sottili. Una protezione in vetro al piombo con collimatore fa fuoriuscire il raggio röntgen parallelamente al lato superiore dell'apparecchio, proteggendolo dalla radiazione diffusa. Il raggio röntgen si riversa su una piastra di schermatura di piombo e alluminio con stampato il simbolo dei raggi, il cui diametro corrisponde a quello del raggio non collimato.

5. Fornitura

- 1 Unità di base
- 1 Tubo per raggi röntgen
- 1 Jack
- 2 valvole a fusibili
- 1 Targhetta di avvertimento contro le radiazioni in tedesco, inglese, francese e spagnolo
- 1 Istruzioni per l'uso

6. Dati tecnici

Tubo per raggi röntgen:

- Tensione anodica: 20/30 kV commutabile, a stabilizzazione elettronica
- Corrente di emissione: da 0 a 80 μA con regolazione continua e stabilizzazione elettronica
- Dosaggio raggi: $< 0,1 \text{ mrem/h}^{-1}$ a una distanza di 0,1 m dalla superficie che è possibile toccare
- Riscaldamento catodo: 4 V, 1 A
- Punto focale: 5 mm x 1 mm
- Materiale anodo: Cu
- Collimatore in vetro al piombo: 5 mm \emptyset
- Divergenza del raggio: superiore al 10°
- Lunghezza onda della radiazione caratt.:
Cu - K_α : 154 pm
Cu - K_β : 138 pm
- Dimensioni: 100 mm x 32 mm \emptyset

Goniometro contatore:

- Range di oscillazione: 0°
da $+10^\circ$ a $+130^\circ$ e
da -10° a -130° rispetto all'asse del raggio
- Accoppiamento angolare: indipendente dal supporto campione oppure in rapporto 2:1
- Precisione di misura dell'angolo di Bragg 2θ : 5 minuti di arco
- Temporizzatore: da 0 a 60 min, a regolazione continua
- Allacciamento: 115 V / 230 V, 50/60 Hz tramite cavo di rete
- Assorbimento di potenza: 100 VA
- Dimensioni: 250 mm x 370 mm \emptyset
- Peso: 9 kg

7. Pezzi di ricambio e accessori

- 1. Tubo per raggi röntgen di ricambio U19204
- 2. Kit di base U19205
Il kit di base consente esperimenti qualitativi e quantitativi ad es. relativi alla propagazione lineare, alla ionizzazione e alla capacità di penetrazione della radiazione röntgen e alla fotografia a raggi X, per dimostrare la natura ondulatoria dei raggi X, esaminare la radiazione a fluorescenza röntgen e per determinare i coefficienti di assorbimento di massa.
Dotazione:
 - 1 Schermo fluorescente
 - 1 Camera di Debye-Scherrer
 - 2 Videocassette
 - 1 Maschera al piombo
 - 2 Elettrodi a piastra su spinotto da 4 mm
 - 1 Collimatore per diaframmi a fenditura, 1 mm
 - 1 Collimatore per diaframmi di apertura, 1 mm \emptyset
 - 1 Caricatore ausiliario con diaframma circolare
 - 2 Diaframmi a fenditura, 1 mm/3 mm
 - 1 Diaframma di apertura, 9,5 mm \emptyset
 - 2 Monocristalli, LiF, NaCl
 - 2 Minicristalli, LiF
 - 1 Campione polvere, LiF
 - 10 Fili di Cu
 - 4 Pellicole di assorbimento, Ni, Cu, Co, Zn
 - 1 Revolver pellicole di dispersione, rivestimento con elementi V, Cr, Mn, Fe, Co, Ni, Cu, Zn
 - 1 Dispositivo di scatto a distanza per revolver pellicole di dispersione
 - 1 Set di dispositivi ausiliari di montaggio (adesivo acetato, graffette)
 - 1 Cassetta, forma particolare
- 3. Accessori per cristallografia U19206
Gli accessori per cristallografia consentono ulteriori analisi cristallografiche, l'elaborazione della legge di Moseley, del metodo di Debye-Scherrer, della riflessione di Bragg e prove dei materiali.
Dotazione:
 - 4 Pellicole, Fe, V, Mn, Cr
 - 2 Monocristalli, KCl, RbCl
 - 5 Campioni polvere, NaF, SiC, NH_4Cl , MgO, Al
 - 2 Campioni filo, Al, Nb (je 3 x) per l'analisi di Debye-Scherrer
 - 10 Fili di polietilene
 - 1 Disco per calcolare l'angolo di Bragg

4. Accessori per radiografia U19207
 Gli accessori per radiografia consentono di effettuare indagini sui seguenti argomenti: dispersione, assorbimento, dipendenza dalla tensione di accelerazione e/o corrente di emissione e potere di penetrazione, potere di risoluzione, schermatura, spessore di dimezzamento, tempo di esposizione, prova dei materiali non distruttiva.
 Dotazione:
 1 Croce di Malta
 1 Fantoccio
 1 Diaframma di apertura
 1 Strato di alluminio, graduato
 5 Materiale assorbente, alluminio, 0,1/0,25/0,5/1,0/2,0 mm
 1 Materiale assorbente, piombo, 0,5 mm
 1 Materiale assorbente, plastica
 2 Magneti
 4 Modelli di prova dei materiali (porosità, incrinature, cordone di saldatura, verniciatura)
5. Film-pack 2 U19209
 Film-pack 2 contiene pellicole ad alta sensibilità per radiografie per radiazioni α , β e röntgen. I fogli di pellicola sono confezionati singolarmente in sacchetti di plastica impermeabili alla luce che consentono lo sviluppo e il fissaggio alla luce solare.
 Dotazione:
 20 Fogli pellicola 38 mm x 35 mm in sacchetti di plastica impermeabili alla luce
 1 Flacone sviluppatore röntgen
 1 Flacone fissatore röntgen
 1 Siringa con cannula per introdurre le sostanze chimiche nei sacchetti della pellicola
 1 Graffetta metallica
6. Film-pack 4 U19210
 Come Film-pack 2 ma
 12 Fogli di pellicola da 150 mm x 12 mm in sacchetti di plastica impermeabili alla luce per camera di Debye-Scherrer.
7. Motorizzazione U19202-115 e/o U19202-230
 La motorizzazione, unitamente alla camera di Debye-Scherrer, viene utilizzata per indagini strutturali secondo il metodo dei cristalli rotanti.
 Attacco di rete: 115/230 V, 50/60 Hz
 Assorbimento di potenza: 3 VA
8. Camera di ionizzazione U19208
 La camera di ionizzazione viene utilizzata per esaminare la ionizzazione dell'aria e di altri gas a pressione diversa, tramite le radiazioni röntgen (caratteristica di saturazione, modello di un contatore di Geiger-Müller, dosimetria).
 Tensione d'esercizio: max. 2 kV
 Corrente di ionizzazione: da 10^{-11} a 10^{-10} A
 Elettrodo a barra: lunghezza 75 mm
 Camera: 85 mm x 25 mm \emptyset
 Albero flessibile: 5 mm \emptyset
9. Contatore di Geiger-Müller U19201
 Il contatore di Geiger-Müller è un contatore ad avviamento alogeno autoestinguente per la registrazione di radiazioni α , β , γ e röntgen.
 Range di intensità di dose: da 10^{-3} a 10^2 mGy/h
 Massa della superficie attiva (mica): da 2,0 a 3,0 mg/cm²
 Tensione d'esercizio: 500 V
 Allacciamento: BNC
 Lunghezza del cavo: 1 m
 Dimensioni: 57 mm x 22 mm \emptyset
10. Rateometro U19203
 Il rateometro viene utilizzato per contare gli impulsi e per misurare la corrente di emissione del tubo per raggi röntgen. In collegamento con il display digitale con soglia regolabile (U18620) è possibile visualizzare direttamente i segnali di uscita, la tensione del contatore, le frequenze di conteggio e la corrente.
 Ingresso misura della corrente: tramite jack da 0 a 200 μ A
 Range di misura rateometro: da 0 a 2.000 Imp/s
 Da 0 a 20.000 Imp/s
 Tempi di porta: 3 s, 15 s, 30 s, 60 s
11. Display digitale con soglia regolabile U18620
 Il display digitale con soglia regolabile viene direttamente impiegato con il rateometro (U19203). Dispone di quattro canali di accesso con possibilità di regolare il valore limite inferiore e superiore e di relativa segnalazione acustica.
 Display: 3½ cifra, 12,5 mm di altezza
 Dimensioni: 105 mm x 76 mm

8. Utilizzo

8.1 Verifica dei dispositivi che provvedono alla protezione dalle radiazioni

Prima di utilizzare l'apparecchio per raggi X, occorre sempre verificare che i diversi elementi di sicurezza per la protezione dalle radiazioni funzionino perfettamente. La verifica deve essere effettuata nella sequenza descritta di seguito. In caso di incongruenze, staccare immediatamente l'apparecchio dalla rete. Qualora non fosse possibile eliminare gli errori seguendo le proposte riportate al paragrafo 10, è necessario far riparare l'apparecchio per raggi X dal produttore. Se il controllo di sicurezza risulta positivo, è possibile utilizzare l'apparecchio per raggi X.

- Verificare che il cofano di protezione non sia danneggiato.
- Verificare che la piastra di schermatura con targhetta di avvertimento sulle radiazioni sia fissata saldamente.
- Verificare che il perno di chiusura del cofano di protezione non sia danneggiato.
- Verificare che il duomo in vetro al piombo e il collimatore in ottone non siano danneggiati e che siano fissati saldamente.
- Verificare il funzionamento della spia di controllo di rete: allo scopo, chiudere il cofano di protezione, collegare l'apparecchio alla rete, impostare l'ora sul temporizzatore, azionare l'interruttore a chiave. La spia di controllo di rete deve essere accesa. La spia di controllo dell'alta tensione deve essere spenta.
- Verificare il funzionamento del temporizzatore: Allo scopo, azionare l'interruttore a chiave e impostare l'ora.
- Verificare il relè del temporizzatore: Impostare l'ora su 0. Quando l'interruttore di rete è acceso, la spia di controllo di rete deve essere spenta.
- Verificare il funzionamento della spia di controllo dell'alta tensione: con il cofano di protezione chiuso e bloccato (perno di chiusura in posizione centrale), impostare l'ora sul temporizzatore e azionare l'interruttore a chiave. La spia di controllo dell'alta tensione deve essere spenta. Attivare l'alta tensione con il pulsante. La spia di controllo e l'anello luminoso del pulsante devono essere accesi.
- Verificare la funzione di commutazione degli elementi di sicurezza nella cerniera del cofano: con l'alta tensione inserita, spostare sul lato il cofano di protezione, senza aprirlo, il perno di chiusura resta quindi in un'estremità della fessura a forma di peso. L'alta tensione, quindi anche la spia di controllo dell'alta tensione e l'anello luminoso devono spegnersi.

8.2 Messa in funzione dell'apparecchio per raggi X

8.2.1 Aprire, chiudere e bloccare il cofano di protezione

- Per aprire il cofano di protezione, spostare il cofano sul lato su cui si trova il braccio di misurazione, spingere e aprire.
- Per chiudere il cofano di protezione, introdurre il perno di chiusura nell'estremità della fessura a forma di peso sul lato in cui si trova il braccio di misurazione.
- Spostare sul lato il cofano di protezione, in modo da udire il perno di chiusura che scatta nella posizione centrale.

Il cofano di protezione è adesso protetto contro le aperture dirette. È possibile inserire l'alta tensione.

8.2.2 Accensione dell'apparecchio per raggi X

- Impostare l'ora preselezionata sul temporizzatore
- Accendere l'apparecchio per raggi X agendo sull'interruttore a chiave.

La spia di controllo di rete si accende. Allo scadere del tempo impostato, l'apparecchio si spegne.

8.2.3 Chiusura del cofano di protezione e attivazione dell'alta tensione

- Dopo aver attivato la tensione di rete, selezionare l'alta tensione desiderata $U = 20 \text{ kV}/30 \text{ kV}$ mediante gli interruttori a scorrimento.
- Chiudere il cofano di protezione e bloccarlo nella posizione centrale del perno di chiusura.
- Azionare il pulsante dell'alta tensione

La spia di controllo dell'alta tensione e l'anello luminoso del pulsante si accendono e viene prodotta la radiazione röntgen.

- Dimostrare la radiazione röntgen mediante lo schermo fluorescente, la camera di ionizzazione o il contatore di Geiger-Müller.

8.2.4 Impostazione e misurazione della corrente di emissione

- Tramite il cavo adattatore, collegare un voltmetro con un range di misura di 10 V c.c. al jack.
- Utilizzando un cacciavite, impostare la corrente di emissione richiesta sul potenziometro a vite.

Si applica la correlazione seguente:

$$I_A [\mu\text{A}] = U_A [\text{V}] / 10^5 \text{ Ohm}$$

In questo modo sul voltmetro viene visualizzata una corrente al tubo ad esempio di 80 μA come una tensione continua di 8 V.

8.2.5 Disattivazione dell'alta tensione e apertura del cofano di protezione

- Azionare il pulsante dell'alta tensione, attendere il tempo di ritardo del dispositivo di sbloccaggio

di sicurezza del cofano e spostare sul lato il cofano di protezione.

8.2.6 Supporto campione

I monocristalli (NaCl, LiF, etc.) possono essere fissati sul supporto campione (vedere la Fig. 5). È possibile rimuovere la ganascia di serraggio e la base allentando le viti.

- Fissare il monocristallo nel supporto campione mediante la ganascia di serraggio e definire quindi la regolazione angolare del cristallo. Il lato ruvido del cristallo deve essere rivolto verso il tubo per raggi röntgen.
- Sulla scala angolare per supporto campione, leggere l'angolo θ tra supporto campione e asse del raggio.

8.2.7 Braccio di misurazione

Il braccio di misurazione dispone di 18 slot per gli accessori di sperimentazione e gli apparecchi per dimostrazione. Sulla scala angolare per braccio di misurazione, leggere l'angolo 2θ tra braccio di misurazione e asse del raggio. Per una misura precisa dell'angolo viene utilizzata la scala del regolatore fine. A tal fine

- regolare il braccio di misurazione sul successivo angolo 2θ intero.
- Quindi, tenendo fermo il braccio di misurazione, impostare su 0 il regolatore fine rispetto alla tensione del filo.

È possibile regolare ulteriormente il braccio di misurazione di $\pm 4^\circ$ sul regolatore fine.

- Leggere l'angolo relativo sulla scala del regolatore fine (precisione di circa 5 minuti di arco).

8.2.8 Accoppiamento angolare 2:1

Durante la registrazione di uno spettro di Bragg, il braccio di misurazione ruota del doppio dell'angolo 2θ e, contemporaneamente, il supporto campione ruota dell'angolo θ .

- Impostare braccio di misurazione e supporto campione esattamente su $\theta = 0^\circ$.
- Avvitare con estrema precisione la piastra di pressione.

Muovendo il braccio di misurazione, il supporto campione si sposta di mezzo angolo (vedere la Fig. 4).

- Per scollegare la piastra di pressione, svitare di uno o due giri

8.3 Sostituzione dei fusibili

- Staccare la spina di rete.

8.3.1 Fusibile di rete

- Svitare il portafusibili per la tensione di rete sulla parte inferiore dell'alloggiamento.
- Inserire un nuovo fusibile con un valore corretto (T1A, 250 V).

- Avvitare il portafusibili.

8.3.2 Fusibile dell'alta tensione

- Svitare il portafusibili per l'alta tensione sulla parte inferiore dell'alloggiamento.
- Inserire un nuovo fusibile con un valore corretto (T1A, 250 V).
- Avvitare il portafusibili.

8.4 Sostituzione della lampada

- Staccare la spina di rete.
- Svitare il coperchio di plastica della spia di controllo di rete o dell'alta tensione.

Svitare la lampada con l'ausilio di un pezzo di tubo di plastica e sostituirla con una nuova:

Spia tensione di rete: 6 V / 0,05 A

Spia alta tensione: 6 V / 0,1 A

- Avvitare nuovamente il coperchio.

8.5 Regolazione del tubo per raggi röntgen

L'apparecchio per raggi X viene fornito con il tubo per raggi röntgen regolato in fabbrica. Pertanto, generalmente non è necessario effettuare una nuova regolazione. Tuttavia, durante il trasporto la regolazione di fabbrica potrebbe subire delle modifiche rendendo necessaria una nuova regolazione.

8.5.1 Regolazione in altezza del tubo per raggi röntgen

- Inserire il contatore nelle scanalature 17 e 20 del braccio di misurazione e ruotare nella posizione 0° .
- Inserire il diaframma da 1 mm (da U19205) in orizzontale nella scanalatura 13.
- Applicare un diaframma di apertura di 1 mm \emptyset (da U19205) sul collimatore in ottone del duomo in vetro al piombo.
- Accendere l'apparecchio per raggi C e selezionare un'alta tensione di 20 kV.
- Impostare la corrente di emissione in modo che il contatore segnali da 200 a 400 impulsi al secondo (vedere 8.2.4).
- Rimuovere il tappo di gomma inferiore sul retro dell'apparecchio e, agendo sulla vite ora accessibile, modificare l'altezza del tubo per raggi röntgen in modo da raggiungere la frequenza di conteggio massima.
- Reinserire il tappo di gomma.

8.5.2 Regolazione laterale del tubo per raggi röntgen

- Spegner l'apparecchio per raggi X e aprire il cofano di protezione.
- Inserire il diaframma da 1 mm (da U19205) in verticale nella scanalatura 30.

- Fissare il collimatore per diaframmi a fenditura da 1 mm (da U19205) in verticale sul collimatore di ottone del duomo in vetro al piombo.
- Estrarre la ganaschia di serraggio del supporto campione e, mediante la clip di montaggio, posizionare l'astina di vetro (da U19205) nel supporto campione (vedere la Fig. 5).
- Inserire la tensione di rete.
- Rilevare il tubo per raggi röntgen attraverso le due fessure. L'astina di vetro deve trovarsi al centro del riflesso del catodo sull'anodo.
- In caso contrario, ruotare leggermente il duomo in vetro al piombo. Al tal fine, allentare le viti di fissaggio.
- Rimuovere nuovamente l'astina di vetro e la clip di montaggio.
- Per effettuare una regolazione di precisione, fissare il minicristallo LiF nel supporto campione.
- Portare braccio di misurazione e supporto campione nella posizione 0°.
- Effettuare un accoppiamento angolare 2:1 (vedere 8.2.8).
- Impostare il braccio di misurazione sull'angolo $2\theta = 45^\circ$. Il lato del goniometro deve essere tale che il raggio incidente e riflesso si trovi sul lato inclinato del supporto campione (vedere anche la Fig. 5).
- Impostare l'alta tensione su 30 kV, chiudere il cofano di protezione e inserire l'alta tensione.
- Cercare il riflesso Cu-K α (valore di letteratura per LiF = 44°56'). Il valore misurato deve concordare con il valore di letteratura entro 30'.
- Se il valore rilevato non rientra in questa tolleranza, verificare e ripetere le fasi precedenti.
- Se il valore misurato è ancora fuori tolleranza, impostare il braccio di misurazione sul valore medio tra valore misurato e valore di letteratura.
- Rimuovere il tappo di gomma superiore sul retro dell'alloggiamento, ribaltare il tubo per raggi röntgen agendo sulla vite adesso accessibile e aumentare al massimo la frequenza di conteggio.
- Con il braccio di misurazione cercare il massimo del riflesso. Eventualmente, continuare la regolazione finché il valore misurato e il valore di letteratura corrispondono entro 30'.

9. Avvertenze per l'uso degli accessori

9.1 Montaggio dei collimatori (da U19205)

I collimatori vengono utilizzati per ridurre la divergenza raggio.

- Inserire uno dei collimatori direttamente sul collimatore in ottone del duomo in vetro al piombo.

9.2 Montaggio di fenditure e altri oggetti di sperimentazione nel formato per diapositive nel braccio di misurazione

- Inserire l'oggetto di sperimentazione desiderato nel formato per diapositive nella scanalatura del braccio di misurazione e bloccarlo con il morsetto a molla.

9.3 Camera di ionizzazione (U19208)

- Assemblare la camera di ionizzazione come indicato nella Fig. 6.

Per dimostrare l'effetto ionizzante della radiazione röntgen viene utilizzato il coperchio della camera con apertura più grande, in caso di pressione normale, e il coperchio della camera con collegamento di evacuazione in caso di pressione ridotta (principio del contatore Geiger-Müller).

- Condurre all'esterno le linee di tensione ed eventualmente la tubazione della pompa attraverso i condotti della camera di sperimentazione. Dotare il cavo di sperimentazione dei connettori forniti.
- Inserire la camera di ionizzazione nel braccio di misurazione (vedere la Fig. 2).

9.4 Contatore di Geiger-Müller (U19201)

- Inserire il supporto contatore nel caricatore diapositive situato nel braccio di misurazione e fissarlo con i morsetti a molla (vedere la Fig. 3).

9.5 Revolver pellicole di dispersione (da U19205)

Il revolver pellicole di dispersione contiene 8 pellicole metalliche diverse, che possono essere orientate in successione mediante il dispositivo di scatto a distanza nel percorso dei raggi luminosi. In una finestra sul retro del revolver vengono visualizzati i simboli dell'elemento.

- Rimuovere la ganaschia di serraggio del supporto campione (vedere la Fig. 9).
- Collocare il revolver pellicole di dispersione con l'incavo circolare sul supporto campione.
- Avvitare il dispositivo di scatto a distanza sul revolver pellicole di dispersione e verificare il funzionamento.
- Far fuoriuscire il dispositivo di scatto a distanza sotto il cofano di protezione.

9.6 Camera di Debye-Scherrer (da U19205) e motorizzazione (U19202)

La camera di Debye-Scherrer si compone di tre parti: alloggiamento, coperchio e supporto di serraggio con

ruota conica (vedere la Fig. 7). In collegamento con la motorizzazione, è possibile effettuare, ad esempio, radiografie del cristallo rotante.

- Rimuovere la ganascia di serraggio del supporto campione, impostare il braccio di misurazione su $2\theta = 90^\circ$ e il supporto campione su $\theta = 90^\circ$. Fare attenzione che il lato liscio del supporto sia rivolto verso il tubo per raggi röntgen.
- Fissare il collimatore da 1 mm sul collimatore in ottone del duomo in vetro al piombo.
- Collocare l'alloggiamento della camera di Debye-Scherrer in via sperimentale tra duomo in vetro al piombo e supporto campione (vedere la Fig. 7). Se la camera non è alloggiata saldamente, è possibile effettuare una regolazione agendo sulla vite situata sulla parte inferiore della camera.
- Caricare la camera nella camera oscura con una pellicola per raggi röntgen contenuta in Film-pack 4 (U19210). Applicare saldamente la pellicola alla parete interna del cilindro.
- Per le radiografie del cristallo rotante, collocare sulla parte inferiore della camera anche una pellicola contenuta in Film-pack 2 (U19209).
- Fissare il campione nel mandrino del supporto di serraggio, chiudere il coperchio della camera e inserire nella camera il supporto di serraggio con il campione.
- Collocare la camera sul supporto campione.
- Se necessario, collocare anche la motorizzazione (U19202) come indicato in Fig. 8. A tal fine, inserire il rispettivo connettore nel jack da 4 mm. Verificare che le ruote dentate coniche funzionino correttamente. Utilizzando la chiave per viti a esagono cavo in dotazione, è possibile modificare la posizione della ruota conica del motore sull'asse.

9.7 Pellicole per raggi röntgen (U19209/U19210)

9.7.1 Sviluppo

- Prima di aspirare il liquido nella siringa, spingere verso l'alto il pistone di 1 ml in modo che l'aria si trovi al di sopra del liquido. In tal modo si è certi, quando viene spruzzato, tutto il liquido presente nella siringa e nella cannula giunge nel sacchetto della pellicola.
- Introdurre la cannula in una delle aperture accanto al caricamento sul sacchetto della pellicola e spruzzare lo sviluppatore.

Si deve essere certi che entrambi i lati della pellicola vengono inumiditi con lo sviluppatore e che, durante lo sviluppo, lo sviluppatore venga ben distribuito nel sacchetto della pellicola.

- A tal fine, con indice e pollice esercitare una lieve pressione sul sacchetto della pellicola.

- Dopo il periodo di sviluppo, iniettare il fissatore nel sacchetto della pellicola, senza dapprima eliminare lo sviluppatore.

Sviluppo	Sviluppatore	Fissatore
Tempo	1½ min.	4 min.
Film-pack 2	2½ ml	3½ ml
Film-pack 4	3½ ml	5 ml

9.7.2 Estrazione della pellicola

- Dopo lo sviluppo della pellicola, tagliare un angolo del sacchetto e premere leggermente per far fuoriuscire il liquido.
- Quindi, tagliare l'estremità del sacchetto ed estrarre la pellicola con la camera metallica.
- Lavare la pellicola sotto l'acqua corrente per un paio di minuti prima di osservarla.

Se la pellicola deve essere archiviata, è necessario fissarla per 10 minuti e quindi lavarla sotto l'acqua corrente per 30 minuti. Allo scopo è possibile utilizzare un comune fissatore con o senza induritore.

9.7.3 Conservazione delle sostanze chimiche

Mentre il fissatore è piuttosto stabile, l'aria presente nel flacone dello sviluppatore può provocare una decomposizione dello sviluppatore.

- Se, quindi, lo sviluppatore da conservare per un periodo prolungato è contenuto in un flacone parzialmente vuoto, è necessario travasarlo in un flacone di volume minore, in modo da renderlo utilizzabile per un lungo periodo.
- Prima di chiudere il flacone dello sviluppatore, premerlo per portare il liquido al livello del margine superiore dell'apertura, in modo che, chiudendo il flacone, al di sopra del liquido vi sia la minore quantità di aria possibile.
- Per lo smaltimento delle sostanze chimiche rispettare le norme locali.

9.7.4 Indicazioni generali

Per l'illuminazione delle pellicole per raggi röntgen, la distanza tra pellicola e oggetto deve essere la minima possibile mentre la distanza tra pellicola e sorgente di irradiazione deve essere la massima possibile, conformemente al tempo di illuminazione misurato e alla grandezza della sorgente di irradiazione.

La pellicola può anche essere illuminata mediante radiazioni beta e gamma di sorgenti povere di energia, disponibili nelle scuole.

In caso di irradiazione con una percentuale elevata di raggi röntgen "morbidi", sulla radiografia sviluppata è possibile vedere il motivo dei sacchetti di pellicola.

Quando viene termosaldato nei sacchetti di PVC, talvolta la pellicola presenta dei punti di pressione in corrispondenza degli spigoli. Dopo lo sviluppo, questi spigoli possono essere anneriti.

10 Indicazione per la correzione degli errori

Errore	Causa possibile	Rimedio
La spia di controllo di rete non funziona nonostante sia stato verificato l'allacciamento alla rete	<p>Il temporizzatore è su 0</p> <p>Fusibile di rete difettoso</p> <p>Fusibile alta tensione difettoso</p> <p>Lampada display difettosa</p> <p>Altre cause</p>	<p>Impostare l'ora preselezionata</p> <p>Sostituire il fusibile (vedere paragrafo 8.3)</p> <p>Sostituire il fusibile (vedere paragrafo 8.3)</p> <p>Sostituire la lampada (vedere paragrafo 8.4)</p> <p>È necessario far verificare l'apparecchio dal produttore</p>
Con l'alta tensione inserita e una corrente al tubo preselezionata > 0 μ A, il riscaldamento del catodo non diventa incandescente, nonostante la spia di controllo di rete sia accesa	<p>Catodo difettoso</p> <p>Circuito di regolazione del riscaldamento difettoso</p>	È necessario far verificare l'apparecchio dal produttore
La spia di controllo dell'alta tensione non funziona, nonostante la spia di controllo dell'alta tensione sia accesa	<p>Circuito di sicurezza</p> <p>Lampada display difettosa</p> <p>Altre cause</p>	<p>Controllare il circuito di sicurezza secondo quanto indicato nel paragrafo 8.1, in particolare bloccaggio del duomo in vetro al piombo, chiusura e arresto del cofano di protezione</p> <p>Sostituire la lampada (vedere paragrafo 8.4)</p> <p>È necessario far verificare l'apparecchio dal produttore</p>
L'alta tensione scricchiola subito dopo l'accensione	Umidità sotto il duomo in vetro al piombo	Sbloccare il duomo in vetro al piombo e rimuoverlo, strofinarlo con un panno asciutto, quindi reinserirlo e bloccarlo di nuovo
Il catodo si accende brevemente quando viene disinserita l'alta tensione („Afterflash“)	Nessun errore, serve a scaricare i componenti dell'alta tensione	
Nessuna emissione di radiazioni röntgen benché l'alta tensione sia inserita	<p>Il catodo non si riscalda</p> <p>Corrente di emissione troppo bassa</p>	<p>È necessario far verificare l'apparecchio dal produttore. Attenzione: dopo essere stata disinserita, l'alta tensione permane sui tubi per alcune ore!</p> <p>Regolare la corrente di emissione</p>

	<p>(ved. paragrafo 8.2.4)</p> <p>Assenza di corrente di emissione</p> <p>Collimatori o simili nel percorso dei raggi luminosi</p> <p>Il tubo per raggi röntgen non è regolato correttamente</p>	<p>È necessario far verificare l'apparecchio dal produttore.</p> <p>Controllare la struttura sperimentale</p> <p>Regolare i tubi per raggi röntgen (vedere paragrafo 8.5)</p>
--	---	---

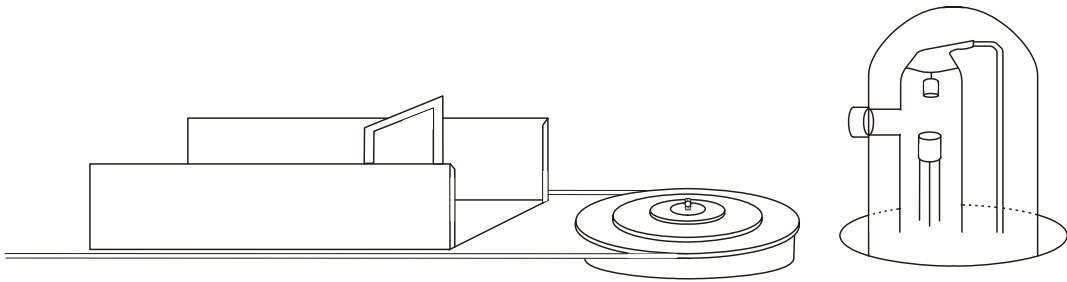


Fig. 1 Montaggio dello schermo fluorescente nel braccio di misurazione

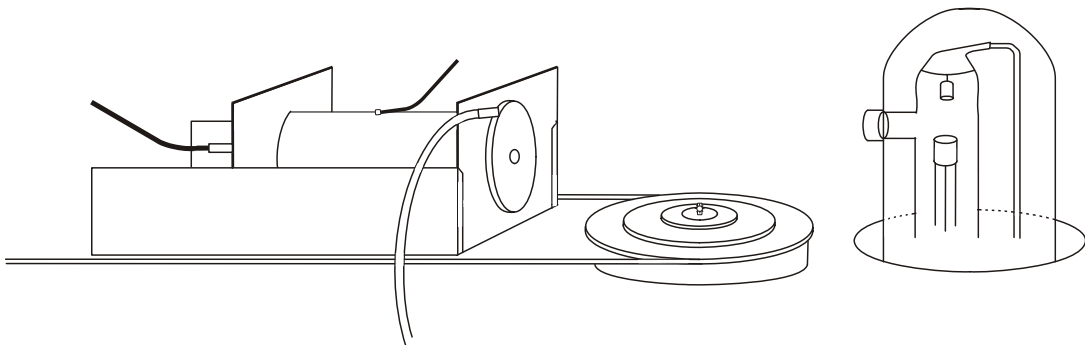


Fig. 2 Montaggio della camera di ionizzazione nel braccio di misurazione

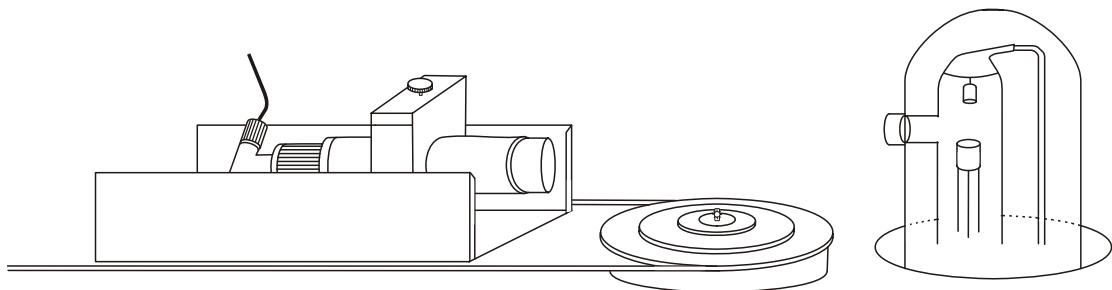


Fig. 3 Montaggio del contatore di Geiger-Müller nel braccio di misurazione

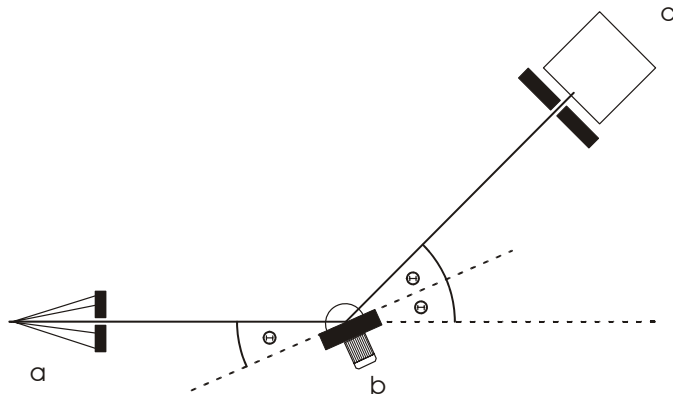


Fig. 4 Geometria nella riflessione di Bragg (a Tubo per raggi röntgen, b Monocristallo, c Contatore)

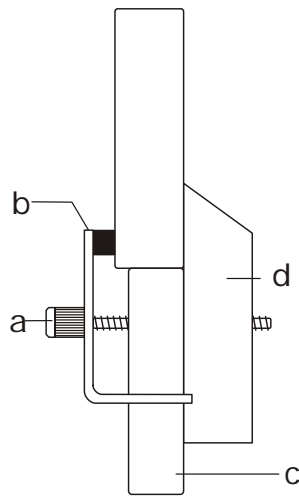


Fig. 5 Montaggio del cristallo nel supporto campione (a Vite, b Ganascia di serraggio, c Base, d Parte fissa del supporto campione)

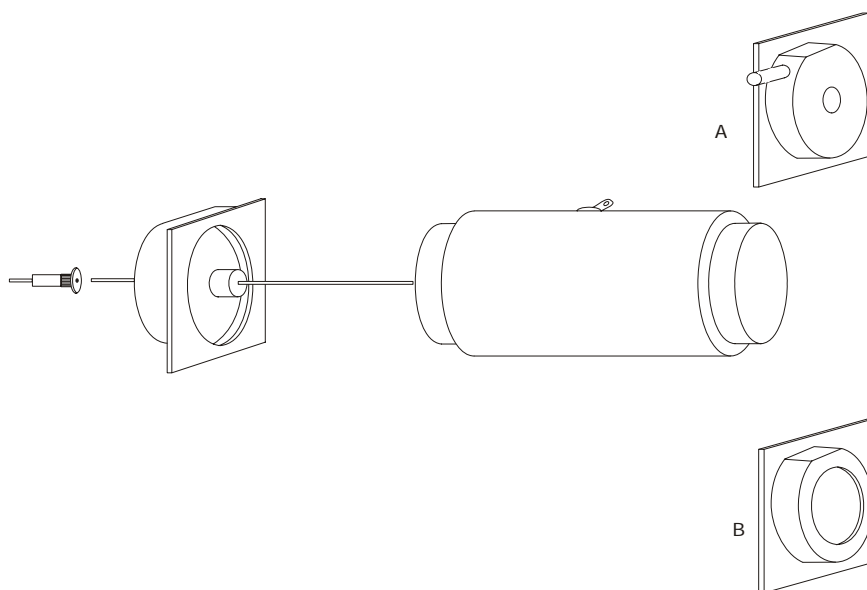


Fig. 6 Assemblaggio della camera di ionizzazione (A per pressione ridotta, B per pressione aria normale)

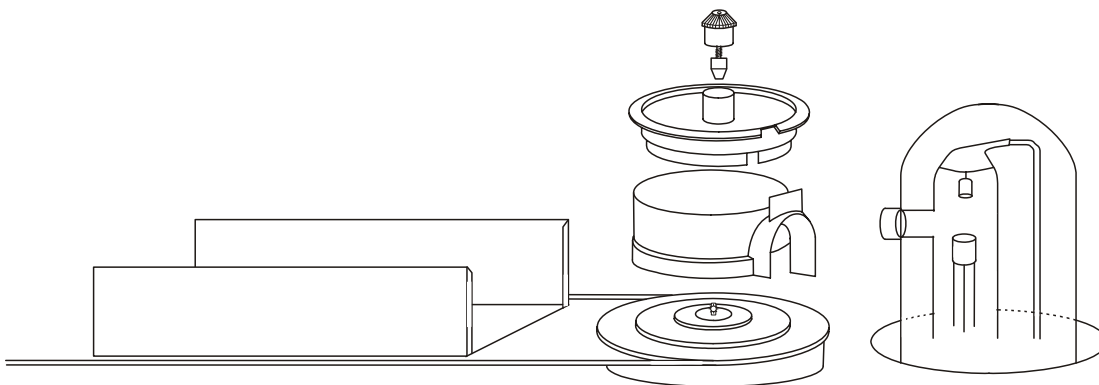


Fig. 7 Montaggio e smontaggio della camera di Debye-Scherrer

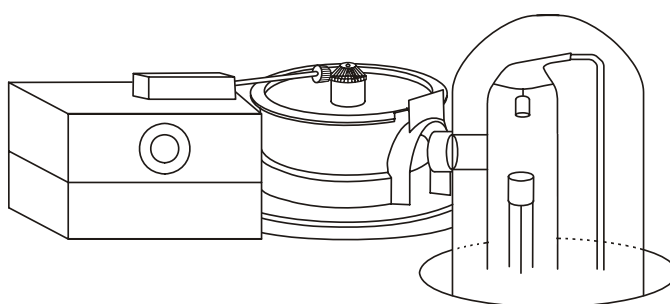


Fig. 8 Camera di Debye-Scherrer con motorizzazione

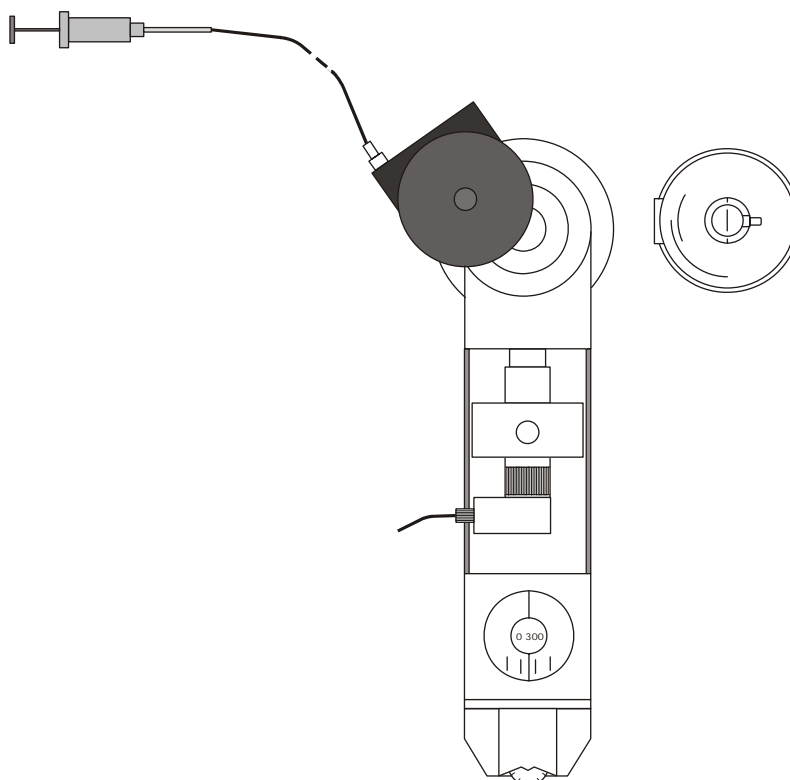


Fig. 9 Montaggio del caricatore pellicole

Aparelho de raios X U192001

Instruções para o uso

09/08 ALF / Hh



1. Proteção contra radiação

Antes de iniciar a operação do aparelho de raios X, deve-se garantir que a utilização planejada esteja conforme com as leis específicas do país, e que os regulamentos e regras sejam autorizados pelas autoridades locais responsáveis e sejam devidamente declarados frente a estas.

A alta-tensão só pode ser ligada com o tampo de proteção fechado e o circuito de segurança devidamente fechado, e portanto, só assim os tubos de raios X funcionarão. A armação está assegurada contra uma abertura intempestiva por um parafuso de segurança. A radiação X é assim isolada e é possível realizar experiências em toda segurança.

As condições máximas de operação $U = 30 \text{ kV}$ e $I = 100 \mu\text{A}$ não podem ser ultrapassadas.

Antes de cada operação do aparelho de raios X, controlar os dispositivos de proteção contra radiação conforme o parágrafo 8.1.

A armação do aparelho de raios X nunca deve ser aberta. Se forem efetuadas manipulações no aparelho de raios X que não correspondam à montagem de experiências em ambiente de laboratório, então a homologação para este tipo de construção fica anulada e não é mais permitido utilizar o aparelho de raios X. Consertos só podem ser realizados pelo fabricante UK 3B Scientific Ltd.

- Proteger o aparelho contra qualquer utilização indevida.

2. Indicações de segurança

O aparelho de raios X cumpre com as normas de segurança para aparelhos elétricos, de medição, de controle eletrônico, de regulação e de laboratório conforme DIN EN 61010 Parte 1 e é fabricado conforme a classe de proteção I. Está previsto para a operação em local seco e apropriado para a operação de aparelhos ou dispositivos elétricos.

Se a operação do aparelho ocorrer conforme às instruções de uso, a segurança do aparelho de raios X está garantida. A segurança, porém, não estará garantida se o aparelho for utilizado de forma indevida ou se for manipulado sem a devida atenção. Se houver razões para considerar que a operação segura não é mais possível, deve-se desligar imediatamente o aparelho (por exemplo, no caso de danos visíveis) e protegê-lo contra uma utilização indevida.

- Controlar que o aparelho de raios X não tenha sofrido danos durante o transporte imediatamente após retirá-lo da embalagem. Caso sejam constatados danos, não ligar o aparelho e informar o fabricante UK 3B Scientific Ltd.
- Antes de ligar o aparelho, controlar se a tensão de rede correta está selecionada no comutador.

Por causa das altas doses de radiação encontradas no interior do aparelho de raios X, este impõe uma responsabilidade particular por parte do operador.

- Antes de qualquer utilização, controlar a integridade da armação do aparelho de raios X, do tampo de proteção, controlar se há danos nos elementos de comando e de controle, e em particular, verificar as normativas de proteção contra radiações conforme o parágrafo 8.1.
- Em caso de danos visíveis, não ligar o aparelho de raios X e protegê-lo contra qualquer operação indevida.
- Em caso de função defeituosa, desligar imediatamente o aparelho e protegê-lo contra uma eventual operação involuntária.
- Se a lâmpada de controle de alta-tensão estiver acesa mesmo se o tampo de proteção não estiver corretamente fechado e se encontra trancado na posição mediana, desligar imediatamente o aparelho.

Caso o aquecimento do cátodo do tubo não funcione, ao desligar a alta-tensão não poderá ocorrer o afterflash (um forte flash do aquecedor do tubo ao desligar a alta-tensão). Por isso, a alta-tensão pode continuar até por 6 horas ainda no tubo.

- Portanto, em caso de disfunção do cátodo só tocar qualquer parte ligada a alta-tensão após 6 horas de repouso do aparelho.
- Ao trocar a lâmpada ou um fusível, sempre desligar o aparelho da tomada!

3. Componentes e elementos de comando



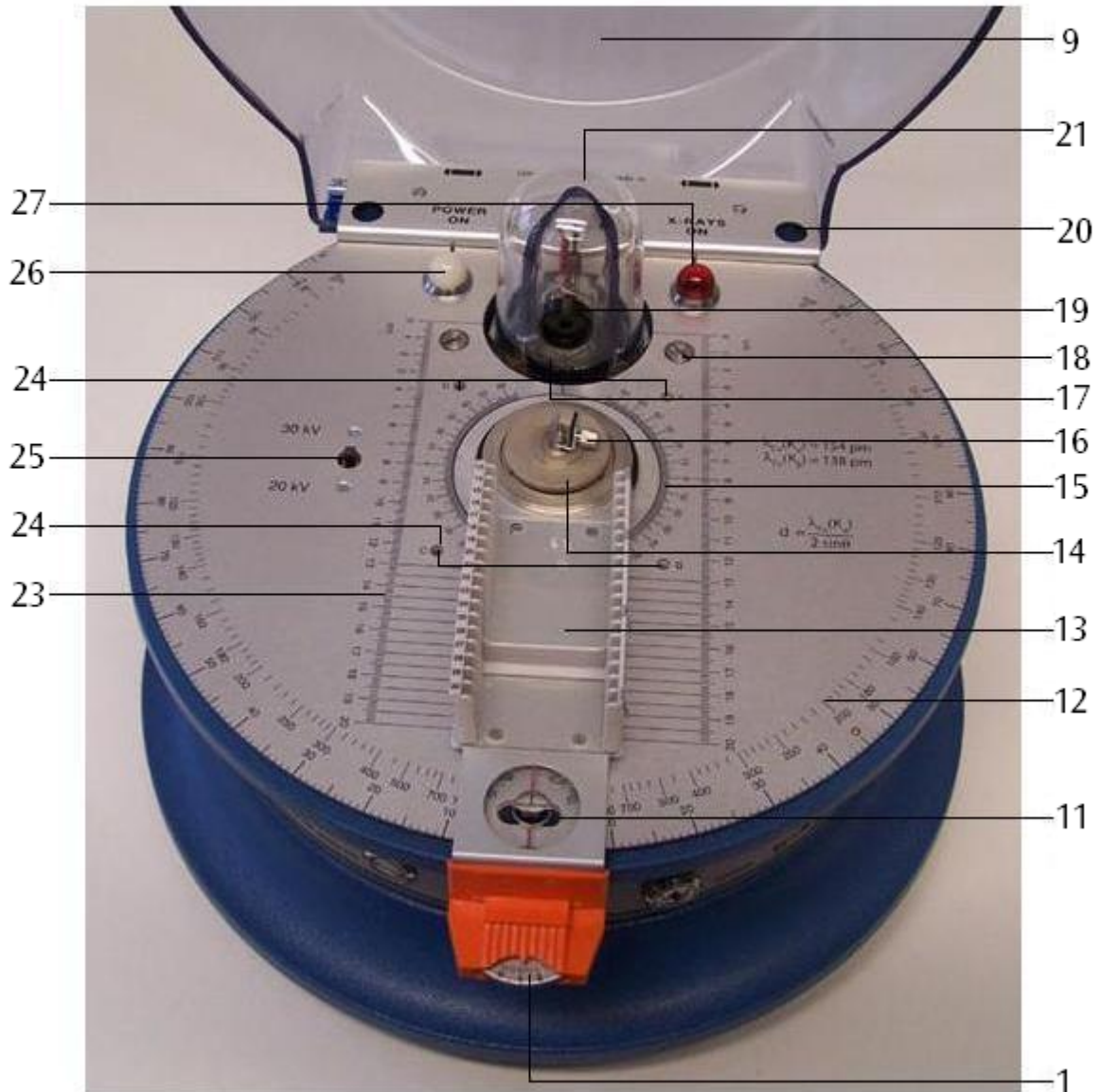
- 1 Ajuste fino do goniômetro
- 2 Potenciômetro de balanceamento para o ajuste da corrente de emissão
- 3 Tecla para a alta-tensão com função LIGA/DESLIGA
- 4 Armação
- 5 Pé

- 6 Timer para ajuste do tempo
- 7 Comutador de chave para a tensão de rede
- 8 Conector para a medição da corrente de emissão com tensão de saída proporcional à corrente
- 9 Tempo de proteção
- 10 Placa de isolamento com aviso de perigo de radiação



10

22



9

21

20

19

18

17

16

15

14

13

12

11

1

- 11 Fenda em forma de haltere para trancar o tempo de proteção
- 12 Escala angular para o braço de medição
- 13 Braço de medição com quadro para slide
- 14 Placa de impressão
- 15 Escala angular para o suporte para amostras
- 16 Suporte para amostras
- 17 Orifício de saída da radiação com colimador de latão
- 18 Parafusos de fixação para a cúpula de vidro de chumbo

- 19 Tubo de raios X
- 20 Travessas
- 21 Cúpula de vidro de chumbo
- 22 Pontos de fecho do tampo de proteção
- 23 Escala de distanciamento do ponto focal
- 24 Conectores de 4 mm para a montagem do motor
- 25 Comutador de seleção de alta-tensão
- 26 Lâmpada de controle da tensão de rede (branca)
- 27 Lâmpada de controle da alta-tensão (vermelha)



- 28 Suporte para fusível de tensão de rede
- 29 Suporte para fusível de alta-tensão
- 30 Comutador de seleção de tensão de rede

- 31 Abertura para ventilação da armação
- 32 Conexão com a rede elétrica

4. Descrição

O aparelho de raios X serve para a realização de um grande número de experiências sobre os temas seguintes:

- Propriedades dos raios X:
 - Radiação penetrante
 - Propagação linear
 - Ionização
 - Radiografia
- Radiação fluorescente
- Proteção contra radiação X
- Experiências de absorção
- Leis da distância
- Dosimetria e proteção contra radiação
- Difração de raios X:
 - Radiografia de Laue
 - Radiografia de Debye-Scherrer
- Reflexão de Bragg,
 - Lei de Duane e Hunt (determinação do h)
- Lei de Moseley

No aparelho de raios X encontra-se um goniômetro de tubo contador integrado que está montado no seu eixo de rotação por meio de um braço inclinável assim como de um suporte para amostras. O braço inclinável na forma de um quadro para slides serve

para os registros do tubo contador Geiger-Müller (U19201), da câmara de ionização (U19208), assim como de aparelhos de experimentação em formato de slide, ou montados sobre uma placa de suporte de 50 mm x 50 mm (por exemplo, nos casos de U19205, U19206, U19207). O braço inclinável pode ser girado manualmente independentemente, ou instalado num acoplamento angular fixo na relação 2:1, por exemplo, para experiências sobre a reflexão de Bragg. O espaço onde são realizadas as experiências é uma caixa fechada a prova de radiação com uma proteção de vidro sintético transparente. Por razões de segurança o capô de cobertura só pode ser aberto depois de DESLIGAR o botão de alta tensão e de um período de desconexão de 2 segundos. Um timer com tempo máximo de 1 hora permite o ajuste mesmo de exposições mais longas e impede uma operação permanente involuntária do aparelho de raios X. O tubo de raios X de alto vácuo com cátodo de tungstênio de aquecimento direto e ânodo de cobre encontra-se num recipiente de vidro de borossilicato com janela de descarga de irradiação de forma côncava e espessura fina. Uma cúpula de vidro a chumbo com colimador de latão permite que a radiação X saia paralelamente a superfície da experiência protegendo contra a radiação difusa. O feixe de raios X que sai colide contra uma placa de isolamento de vidro de chumbo-alumínio com aviso de perigo de radiação, cujo diâmetro coincide com o do feixe não colimado.

5. Fornecimento

- 1 aparelho básico
- 1 tubo de raios X (Röntgen)
- 1 conector Jack
- 2 fusíveis de segurança
- 1 aviso de perigo de radiação em alemão, inglês, francês e espanhol
- 1 manual de instruções

6. Dados técnicos

Tubo de raios X:

Tensão anódica:	20/30 kV alternável, estabilização eletrônica
Corrente de emissão:	ajuste contínuo de 0 a 80 •A e estabilização eletrônica
Dose de radiação:	< 0,1 mrem/h ⁻¹ a 0,1 m de distância da superfície tocável
Aquecimento catódico:	4 V, 1 A
Ponto focal:	5 mm x 1 mm
Material do ânodo:	Cu
Colimador de vidro de chumbo:	5 mm Ø
Divergência do feixe abaixo de	10°
Longitude de onda da radiação caract.:	Cu -K : 154 pm Cu -K : 138 pm
Dimensões:	100 mm x 32 mm Ø

Goniômetro de tubo contador:

Faixa de inclinação:	0° +10° a +130° e -10° a -130° em relação ao eixo do feixe
Acoplamento angular:	independente do suporte de amostras ou em relação de 2:1
Precisão da medição do ângulo Bragg 2 θ:	5 arcos por minuto
Timer:	0 a 60 min, ajustável sem escalonamentos
Conexão:	115 V / 230 V, 50/60 Hz por cabo de rede
Recepção de potência:	100 VA
Dimensões:	250 mm x 370 mm Ø
Massa:	9 kg

7. Repostos e acessórios

- 1. Tubo de raios X de reposto U19204

- 2. Aparelho básico U19205

O aparelho básico de reposto permite a realização de experiências qualitativas e quantitativas, por exemplo, sobre a propagação retilínea, a ionização e sobre a capacidade de penetração dos raios X, assim como radiografia, a comprovação do caráter ondulatório dos raios X, a pesquisa da radiação fluorescente X (Röntgen) e para a determinação do coeficiente de absorção de massas.

Fornecimento:

- 1 tela luminescente
- 1 câmera de Debye-Scherrer
- 2 cassetes com filme
- 1 máscara de chumbo
- 2 elétrodos de placas sobre pinos de inserção de 4-mm
- 1 colimador-diafragma de fenda, 1 mm
- 1 colimador-diafragma de orifício, 1 mm Ø
- 1 carregador complementar com diafragma circular
- 2 diafragma de fenda, 1 mm/3 mm
- 1 diafragma de orifício, 9,5 mm Ø
- 2 monocristais, LiF, NaCl
- 2 minicristais, LiF
- 1 amostra em pó, LiF
- 10 fios Cu
- 4 lâminas de absorção, Ni, Cu, Co, Zn
- 1 revólver para folhas de propagação, revestidas com os elementos V, Cr, Mn, Fe, Co, Ni, Cu, Zn
- 1 controle remoto para o revólver para folhas de propagação
- 1 kit para auxiliar a montagem (adesivo de acetato, pinças)
- 1 caixa para guardar o material, com a forma dos acessórios

- 3. Acessórios para cristalografia U19206

Os acessórios para cristalografia permitem realizar pesquisas cristalográficas mais extensas, o estudo da Lei de Moseley, do procedimento de Debye-Scherrer, da reflexão de Bragg assim como pesquisa de materiais.

Fornecimento:

- 4 lâminas, Fe, V, Mn, Cr
- 2 monocristais, KCl, RbCl
- 5 amostras em pó, NaF, SiC, NH₄Cl, MgO, Al
- 2 amostras de fios, Al, Nb (cada um 3 x) para a análise de Debye-Scherrer
- 10 fios de polietileno
- 1 disco para o cálculo do ângulo de incidência de Bragg

4. Acessórios para radiografia U19207
Os acessórios para radiografia permitem a realização de experiências, entre outras, nas seguintes áreas temáticas: propagação, absorção, dependência da tensão de aceleração ou da corrente de emissão e da capacidade de penetração, resolução, blindagem, espessura de meio-valor, tempo de exposição à luz, teste sem destruição da matéria-prima.
Fornecimento:
1 cruz de malta
1 fantasma
1 diafragma
1 revestimento de alumínio, escalonado
5 absorventes de alumínio, 0,1/0,25/0,5/1,0/2,0 mm
1 absorvente de chumbo, 0,5 mm
1 absorvente de matéria plástica
2 Ímãs
4 modelos de teste de materiais (porosidade, fenda, ponto de soldadura, pintura)
5. Filmpack 2 U19209
O Filmpack 2 contém filme de alta sensibilidade (formato de 38 mm x 35 mm) para radiações α , β e X. O pacote individual em recipientes de material plástico à prova de luz possibilita a revelação e a fixação sob a luz do dia.
Fornecimento:
20 lâminas de filme de 38 mm x 35 mm em embalagens à prova de luz
1 garrafa de revelador para filme raio X
1 garrafa de fixador para filme raio X
1 seringa com cânula para o enchimento do material químico nos recipientes do filme
1 kit de grampos de metal
6. Filmpack 4 U19210
Como o Filmpack 2, porém
12 lâminas de filme de 150 mm x 12 mm em embalagens à prova de luz para câmara de Debye-Scherrer.
7. Acionamento a motor U19202-115 ou U19202-230
O acionamento a motor serve para análises estruturais de acordo com o método do cristal rotativo em associação com a câmara de Debye-Scherrer.
Conexão a rede elétrica: 115/230 V, 50/60 Hz
Recepção de potência: 3 VA
8. Câmara de ionização U19208
A câmara de ionização serve para a pesquisa com ionização do ar e de outros gases em pressão variada através da irradiação por raios X (característica de saturação, modelo de um contador Geiger-Müller, dosimetria).
Tensão de funcionamento: Máx. 2 kV
Corrente de ionização: 10^{-11} até 10^{-10} A
Elétrodo em bastão: 75 mm de comprimento
Câmara: 85 x 25 mm \emptyset
Tubo condutor: 5 mm \emptyset
9. Tubo contador Geiger-Müller U19201
O contador Geiger-Müller é um tubo contador de halogênio de extinção espontânea para o registro de irradiações α , β , γ e X..
Faixa de dosagem recomendada: 10^{-3} a 10^2 mGy/h
Conteúdo de massa da superfície ativa: Mica: 2,0 até 3,0 mg/cm²
Tensão de trabalho: 500 V
Comprimento do cabo: 1 m
Dimensões: 50 x 50 x 22 mm \emptyset
10. Medidor de valor médio U19203
O medidor de valor médio serve para a contagem dos impulsos detectados pelo tubo contador e para a medição da corrente de emissão do tubo de raio X. Em conexão com o indicador digital com limitação ajustável (U18620) podem ser mostrados diretamente os sinais de saída de tensão do contador, quocientes de contagem e corrente
Entrada de medição de corrente: por meio de tomada conec tora
0 a 200 μ A
Faixa de medição: 0 a 2.000 Imp/s
0 a 20.000 Imp/s
Tempos da grade: 3 s, 15 s, 30 s, 60 s
11. Indicador digital com limitação ajustável U18620
O aparelho indicador digital para a utilização direta com o medidor de valor médio (U19203). Dispõe de quatro canais de entrada com os valores limites inferiores e superiores ajustáveis que são indicados de forma acústica.
Display: de 3½ posições, 12,5 mm de altura
Dimensões: 105 mm x 76 mm

8. Utilização

8.1 Controle dos dispositivos que servem à proteção contra radiação

Antes de qualquer utilização, controlar a integridade da armação do aparelho de raios X, do tampo de proteção, controlar se há danos nos diferentes elementos de segurança que garantem a proteção contra radiação. O controle deve ser efetuado na seqüência dos passos de verificação. Em caso de disfunção, o aparelho sempre deve ser imediatamente desligado da rede elétrica. Caso o problema não possa ser resolvido seguindo os conselhos do parágrafo 10, o aparelho deve ser enviado ao fabricante para conserto. Se o controle de segurança for bem sucedido, então o aparelho pode ser utilizado.

- Controlar a integridade do tampo de proteção.
- Verificar a firmeza da placa de isolamento com aviso de perigo de radiação.
- Controlar a integridade dos botões de fecho do tampo de proteção.
- Verificar a firmeza e controlar a integridade da cúpula de vidro de chumbo e do colimador de latão.
- Controlar a operatividade da lâmpada de controle de rede: para tal, fechar o tampo de proteção, ligar o aparelho à rede elétrica, ajustar o tempo no timer, acionar o comutador de chave. A lâmpada de controle de rede deve estar acesa. A lâmpada de controle de alta-tensão não deve estar acesa.
- Controlar a funcionalidade do timer: para tal, acionar o comutador de chave e ajustar o tempo.
- Controlar o relê do timer: para tal, ajustar o timer em zero. A lâmpada de controle de rede não deve estar acesa com o comutador de rede ligado.
- Controlar a funcionalidade da lâmpada de controle de alta tensão: para tal, ajustar o tempo no relógio temporizador com o capô de cobertura fechado (pino de fechamento na posição mediana) e acionar o comutador de fecho. A lâmpada de controle de alta tensão não deve ainda brilhar. Ligar a alta tensão por meio do botão mediano. A lâmpada de controle e o anel luminoso do botão devem brilhar.
- Verificar a função comutadora dos elementos de segurança na quebradiça do capô: para tal, deslocar o capô lateralmente com a alta tensão ligada, sem abri-lo, portanto, o pino de fechamento permanece numa extremidade da fenda em forma de altere. A alta tensão, e portanto, a lâmpada de controle de alta tensão assim como o anel luminoso devem se desligar.

8.2 Iniciar a operação do aparelho de raio X

8.2.1 Abertura, fechamento e trancamento do tampo de proteção.

- Para abrir o tampo de proteção, deslocá-lo lateralmente para o lado onde se encontra o braço de medição, e logo levantá-lo.
- Para fechar o tampo de proteção, inserir os botões de fecho na extremidade da fenda em forma de haltere que se encontra do lado do braço de medição.
- Deslocar o tampo de proteção lateralmente de modo que o botão de fecho encaixe de modo audível na posição mediana.

O tampo de proteção está agora seguro contra uma abertura direta. A alta-tensão pode agora ser ligada.

8.2.2 Ligar o aparelho de raios X

- Ajustar o tempo desejado no timer.
- Ligar o aparelho de raios X com o comutador de chave.

A lâmpada de controle se acende. Tendo transcorrido o tempo previamente ajustado no timer o aparelho desliga-se.

8.2.3 Fechar o capô de cobertura e ligar a alta tensão

- Após ligar a tensão de rede, selecionar a alta-tensão desejada $U = 20 \text{ kV}/30 \text{ kV}$ por meio do comutador deslizante.
- Fechar o tampo de proteção e trancar na posição mediana do botão de fecho.
- Acionar a tecla de alta-tensão.

A lâmpada de controle de alta tensão e o anel luminoso do botão se acendem e é produzida radiação X.

- Comprovar a presença de radiação X por meio da tela luminescente, da câmara de ionização ou com o tubo contador Geiger-Müller.

8.2.4 Ajuste e medição da corrente de emissão

- Conectar um voltímetro com uma faixa de medição de 10 V DC por meio de um cabo adaptador no conector de fecho.
- Com uma chave de fenda ajustar a corrente de emissão desejada girando no potenciômetro de parafuso.

É válida a seguinte relação:

$$I_A [\mu\text{A}] = U_A [\text{V}] / 10^5 [\text{Ohm}]$$

Assim, é indicada no voltímetro uma corrente de tubo de, por exemplo, 80 μA como tensão contínua de 8 V.

8.2.5 Desligar a alta tensão e abrir o capô de cobertura

- Acionar o botão de alta tensão, aguardar o retardo de segurança da abertura do capô e deslocar o capô lateralmente.

8.2.6 Suporte de amostras

Os monocristais (NaCl, LiF, etc.) podem ser fixados no suporte de amostras (veja figura 5). O arco tensor e o apoio podem ser retirados soltando o parafuso.

- Fixar o monocristal no suporte de amostras por meio do arco tensor e assim definir o ângulo do cristal. O lado rugoso do cristal deve estar virado para o aparelho de raios X.
- Ler o ângulo θ entre o suporte de amostra e o eixo do feixe na escala angular para suporte de amostras.

8.2.7 Braço de medição

O braço de medição dispõe de 18 entradas para os acessórios experimentais e aparelhos de registro. O ângulo 2θ entre o braço de medição e o eixo o feixe é lido na escala angular que se encontra no braço de medição. Para uma medição angular exata utiliza-se a escala do ajuste fino. Para isto

- ajustar o braço de medição no próximo ângulo 2θ completo.
- Logo, ajustar em 0 o ajuste fino contra a tensão do fio e com o braço de medição segurado.

O braço de medição ainda pode ser alterado em $\pm 4^\circ$ no ajuste fino.

- Ler o ângulo relativo na escala do ajuste fino (precisão de aproximadamente 5 arcos por minuto).

8.2.8 Acoplamento angular 2:1

Durante o registro de um espectro de Bragg, o braço de medição é girado num ângulo dobrado 2θ , e simultaneamente, o suporte de amostras é girado num ângulo θ .

- Ajustar o braço de medição e o suporte para amostras exatamente em $\theta = 0^\circ$.
- Aparafusar cuidadosamente a placa de impressão.

Ao se mover o braço de medição, agora o suporte de amostra se move junto na proporção de um meio ângulo (veja figura 4).

- Para anular o acoplamento, soltar a placa de impressão em 1 a 2 giros

8.3 Trocar o fusível

- Desconectar da tomada elétrica.

8.3.1 Fusível de rede elétrica

- Desaparafusar o suporte de fusível para tensão de rede que se encontra na base do aparelho.
- Colocar o novo fusível com valor correto (T1A, 250 V).
- Aparafusar o suporte de fusível.

8.3.2 Fusível de alta-tensão

- Desaparafusar o suporte de fusível para alta-tensão na base do aparelho.
- Colocar o novo fusível com valor correto (T1A, 250 V).
- Aparafusar o suporte de fusível.

8.4 Trocar a lâmpada

- Desligar a tomada da rede elétrica.
- Desaparafusar a tampa de plástico da lâmpada de controle de rede ou de alta-tensão.
- Substituir a lâmpada por uma nova com a ajuda de um curto pedaço de mangueira de plástico girando e retirando-a .

Lâmpada de controle da tensão de rede:

6 V / 0,05 A

Lâmpada de controle da alta-tensão: 6 V / 0,1 A

- Aparafusar a tampa novamente.

8.5 Ajuste do tubo de raios X

O aparelho de raios X é entregue com o ajuste do tubo de raios X previamente efetuado em fábrica. Por isso, um ajuste posterior não costuma ser necessário. Porém, durante o transporte pode ocorrer um desajuste, exigindo um reajuste do tubo.

8.5.1 Ajuste de altura do tubo de raios X

- Instalar o tubo contador nos entalhos 17 e 20 do braço de medição e inclina-lo na posição de 0° .
- Instalar o diafragma de fenda de 1 mm (de U19205) no entalho 13 na horizontal.
- Colocar o diafragma de orifício de 1 mm \emptyset (de U19205) no colimador de latão da cúpula de vidro de chumbo.
- Ligar o aparelho de raios X e selecionar a alta-tensão de 20 kV.
- Ajustar a corrente de emissão de modo que o tubo contador conte aproximadamente 200 a 400 impulsos/segundo (veja 8.2.4).
- Retirar as tampinhas de borracha das costas do aparelho e por meio dos parafusos agora visíveis alterar a altura do aparelho de modo que este atinja o índice máximo de contagem.
- Recolocar as tampinhas de borracha.

8.5.2 Ajuste lateral do tubo de raios X

- Desligar o aparelho de raios X e abrir o tampo de proteção.
- Instalar o diafragma de fenda de 1 mm (de U19205) no entalho 30 na vertical.
- Fixar o colimador de diafragma de fenda de 1 mm (de U19205) na vertical no colimador de latão da cúpula de vidro de chumbo.
- Retirar o arco tensor do suporte de amostras e colocar a varinha de vidro (de U19205) no

suporte para amostras por meio de uma pinça de montagem (veja figura 5).

- Ligar a tensão de rede.
- Apontar o tubo de raios X através das duas fendas. A varinha de vidro deve se encontrar no meio do reflexo catódico sobre o ânodo.
- Caso este não se encontre nesta posição, girar a cúpula de vidro de chumbo ligeiramente num pequeno ângulo. Para isto, soltar os parafusos de fixação.
- Retirar a varinha de vidro e a pinça de montagem.
- Para efetuar o ajuste fino fixar o minicristal LiF no suporte para amostras.
- Levar o braço de medição e o suporte para amostras na posição de 0° .
- Efetuar o acoplamento angular 2:1 (veja 8.2.8).
- Ajustar o braço de medição no ângulo de $2\theta = 45^\circ$. Ao fazê-lo, selecionar o lado do goniômetro de modo que o feixe incidente e o refletido se encontrem no lado inclinado do suporte para amostras (veja também figura 5).
- Ajustar a alta-tensão em 30 kV, fechar o tampo de proteção e ligar a alta-tensão.
- Procurar o reflexo Cu-K_α (valor teórico para o $\text{LiF} = 44^\circ 56'$). O valor medido deve coincidir dentro de uma margem de $30'$ com o valor teórico.
- Se o valor medido não se encontra dentro dessa margem de tolerância, verificar e repetir os passos anteriores.
- Se o valor medido continuar fora da margem de tolerância, ajustar o braço de medição no valor médio entre o valor medido e o valor teórico.
- Retirar as tampinhas de borracha das costas do aparelho e por meio dos parafusos agora visíveis alterar a inclinação do aparelho de modo que este atinja o índice máximo de contagem.
- Procurar o reflexo máximo com o braço de medição. Caso necessário, reajustar tantas vezes for necessário para se obter uma margem de diferença de $30'$ entre valor medido e valor teórico.

9. Instruções de uso para os acessórios

9.1 Montagem dos colimadores (de U19205)

Os colimadores servem para reduzir a divergência do feixe.

- Inserir um dos colimadores diretamente no colimador de latão da cúpula de vidro de chumbo.

9.2 Montagem de fendas e outros objetos experimentais em formato de slide no braço de medição

- Colocar o objeto experimental em forma de slide desejado no entalho do braço de medição e fixar com a pinça de mola.

9.3 Câmara de ionização (U19208)

- Montar a câmara de ionização conforme a fig. 6. Para o estudo do efeito ionizante dos raios X sob pressão normal serve a tampa da câmara com abertura grande, em caso de pressão baixa (princípio do contador de Geiger-Müller) serve então a conexão de evacuação.
- Dirigir as entradas de tensão para o exterior dirigindo-as para fora do espaço experimental da experiência. Equipar os cabos de conexão para a experiência com os conectores incluídos no fornecimento.
- Colocar a câmara de ionização no braço de medição (veja fig. 2).

9.4 Tubo contador de Geiger-Müller (U19201)

- Colocar o suporte para tubo contador no quadro para slides no braço de medição e fixar com a pinça de mola (veja fig. 3)

9.5 Revólver para folhas de propagação (de U19205)

O revólver para folhas de propagação contém 8 folhas de diferentes metais que podem ser colocadas no feixe de raios por comando remoto. Numa janela na parte traseira do revólver são exibidos símbolos dos elementos.

- Retirar o arco tensor do suporte para amostras (veja figura 9).
- Colocar o revólver para folhas de propagação com a depressão em forma de meia-lua no suporte para amostras.
- Aparafusar o disparador a distância no revólver para folhas de propagação e verificar a sua funcionalidade.
- Colocar o disparador a distância debaixo do tampo de proteção.

9.6 Câmara de Debye-Scherrer (de U19205) e acionamento a motor (U19202)

A câmara de Debye-Scherrer é constituída de três partes: armação, tampa e arco tensor com roda cônica (veja figura 7). Em associação com o acionamento a motor podem ser realizadas, por exemplo, imagens de cristais em rotação.

- Retirar o arco tensor do suporte para amostras, colocar o braço de medição em $2\theta = 90^\circ$ e o suporte para amostras em $\theta = 90^\circ$. Ao fazê-lo,

prestar atenção para que o lado liso do suporte esteja virado para o tubo de raios X.

- Fixar o colimador de 1 mm no colimador de latão da cúpula de vidro de chumbo.
- Posicionar a armação da câmera de Debye-Scherrer entre a cúpula de vidro de chumbo e o suporte para amostras a título de teste (veja figura 7). Caso a câmera não encaixe exatamente, esta pode ser fixada graças ao parafuso na base da câmera.
- Carregar a câmera na câmara escura com filme de raio X do Film-pack 4 (U19210). Colocar o filme de forma bem colada na parede do cilindro.
- Para imagens com o cristal rotativo colocar adicionalmente um filme do Film-pack 2 (U19209) no fundo da câmera.
- Fixar a amostra no revestimento espelhado do suporte para amostras, fechar a tampa da câmera e colocar o arco tensor com a amostra tensa na câmera.
- Colocar a câmera no suporte para amostras.
- Caso necessário, instalar o acionamento a motor (U19202) como indicado na figura 8. Para tal, conectar o seu conector no conector de 4 mm. Ao fazê-lo, controlar o funcionamento correto das engrenagens cônicas. Por meio da chave inbus incluída no fornecimento é possível alterar a posição das engrenagens cônicas do motor no seu eixo.

9.7 Filmes para raios X (U19209/U19210)

9.7.1 Revelação

- Antes de introduzir líquido na seringa, puxar o pistão em 1 ml para cima de modo que o ar se encontre sobre o líquido. Assim fica garantido que todo o líquido irá da seringa e da cânula para o saco de filme ao ser injetado.
- Inserir a cânula em um dos orifícios ao lado do aviso impresso no saco de filme e injetar o revelador.

Deve-se garantir que ambos lados do filme sejam embebidos de revelador e que o revelador esteja bem distribuído no saco de filme durante toda a duração da revelação.

- Para isto, exercer uma leve pressão com os dedos indicador e polegar sobre o saco de filme.
- Injetar o fixador no saco de filme após terminado o tempo de revelação sem antes retirar o revelador.

Revelação	Revelador	Fixador
Tempo	1½ min.	4 min.
Film-pack 2	2½ ml	3½ ml
Film-pack 4	3½ ml	5 ml

9.7.2 Retirada do filme

- Depois de revelar o filme, cortar ângulo do saco de filme com uma tesoura e expulsar o líquido do saco com uma leve pressão.
- Logo, cortar uma extremidade do saco e retirar o filme do saco com a pinça metálica.
- Lavar o filme com água corrente durante alguns minutos antes de visioná-lo.

Se o filme tiver que ser arquivado, ele deve ser fixado durante mais 10 minutos e ser lavado durante 30 minutos na água corrente. Um fixador comum ou sem endurecedor pode ser utilizado para este fim.

9.7.3 Armazenamento dos produtos químicos

Enquanto que o fixador é bastante estável, caso o ar penetre na garrafa de fixador, este pode via se decompor.

- Transferir o revelador que se encontre numa garrafa maior e já parcialmente vazia para uma garrafa menor para um armazenamento mais prolongado. Assim ele ficará mais tempo utilizável.
- Ao fechar uma garrafa de revelador, levar o nível de líquido até a beira do recipiente apertando cuidadosamente a garrafa de forma a deixar o mínimo de ar possível por cima do líquido dentro da garrafa fechada.
- Observar as diretivas locais ao despejar os produtos químicos.

9.7.4 Indicações gerais

Ao expor os filmes para raios X, a distância entre o filme e o objeto deve ser mantido o menor possível e a distância entre o filme e a fonte de radiação deve ser a maior possível, em harmonia com um tempo de exposição adequado e o tamanho da fonte de radiação.

O filme também pode ser exposto a radiações Beta e Gamma de uma fonte de baixa energia como existem nas escolas.

Em caso de irradiação com uma grande proporção de raios X "soft", pode ocorrer que a trama do saco de filme fique visível no filme revelado.

Através do fecho hermético no saco de PVC, o filme pode apresentar marcas de pressão nas pontas e beiras. Após a revelação, estas beiras do filme podem estar fortemente escurecidas.

10 Indicações para eliminação de erros

Erro	Causa possível	Solução
A lâmpada de controle de rede não funciona, apesar de ter sido verificada a conexão com a rede	<p>O timer está em 0</p> <p>O fusível de rede está defeituoso</p> <p>O fusível de alta-tensão está defeituoso</p> <p>A lâmpada indicadora está defeituosa</p> <p>Outras causas</p>	<p>Ajustar o tempo no timer</p> <p>Trocar fusível (veja parágrafo 8.3)</p> <p>Trocar fusível (veja parágrafo 8.3)</p> <p>Trocar lâmpada (veja parágrafo 8.4)</p> <p>O aparelho deve ser levado para verificação pelo fabricante</p>
Aquecedor catódico não incandesce com alta tensão ligada e tubo pré-selecionado > 0 μ A não incandesce mesmo com a lâmpada de controle acesa	<p>Cátodo defeituoso</p> <p>Circuito regulador do aquecimento defeituoso</p>	O aparelho deve ser levado para verificação pelo fabricante
Lâmpada de controle de alta-tensão não funciona mesmo com a lâmpada de controle de rede funcionando	<p>Circuito de segurança</p> <p>Lâmpada indicadora defeituosa</p> <p>Outras causas</p>	<p>Controlar os circuitos de segurança conforme o parágrafo 8.1, em particular a tranca da cúpula de vidro de chumbo, tranca e assento do tampo de proteção</p> <p>Trocar a lâmpada (veja parágrafo 8.4)</p> <p>Aparelho deve ser verificado pelo fabricante</p>
A alta-tensão craqueja logo após ser ligada	Umidade sob a cúpula de vidro de chumbo	Soltar a cúpula de vidro de chumbo e retirá-la esfregar com um pano seco, recolocar e trancar
O cátodo ascende fortemente por um curto instante ao desligar a alta-tensão („Afterflash“)	Não é um erro, serve para a descarga dos componentes de alta tensão	
Não há radiação X, apesar da alta-tensão estar ligada	<p>O cátodo não incandesce</p> <p>Corrente de emissão muito fraca</p> <p>Corrente de emissão ausente</p>	<p>O aparelho deve ser levado para verificação pelo fabricante. Cuidado: a alta-tensão permanece durante várias horas após desligar o tubo!</p> <p>Ajustar a corrente de emissão (veja parágrafo 8.2.4)</p> <p>O aparelho deve ser levado para verificação pelo fabricante</p>

	<p>O colimador ou semelhante se encontra no percurso do feixe</p> <p>O tubo de raio X está desajustado</p>	<p>Controlar a montagem da experiência</p> <p>Ajustar o tubo de raio X (veja parágrafo 8.5)</p>
--	--	---

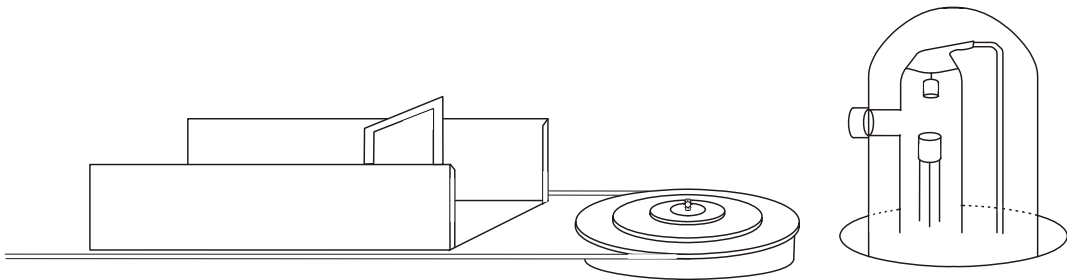


Fig. 1 Montagem da tela luminescente no braço de medição

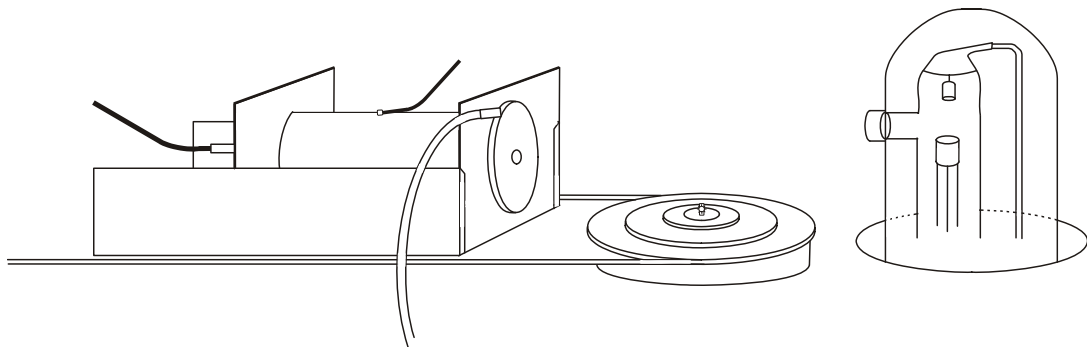


Fig. 2 Montagem da câmara de ionização no braço de medição

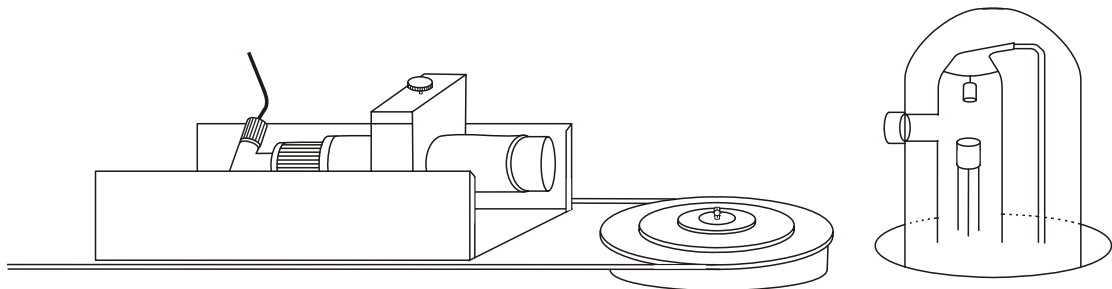


Fig. 3 Montagem do contador Geiger-Müller no braço de medição

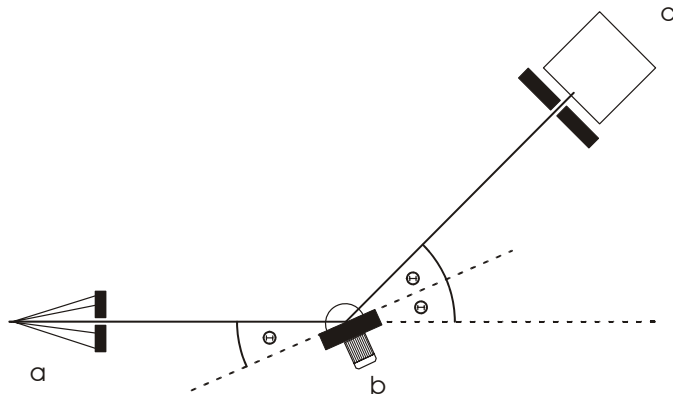


Fig. 4 Geometria da reflexão de Bragg (a tubo de raio X, b monocristal, c tubo contador)

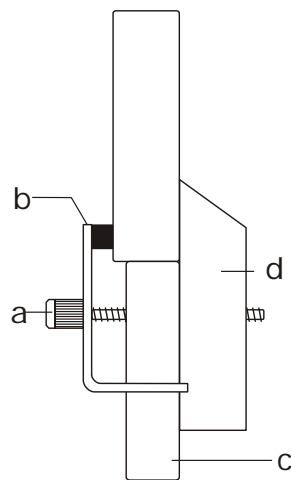


Fig. 5 Montagem do cristal no suporte para amostras (a parafuso, b ao tensor, c apoio, d parte fixa do suporte para amostras)

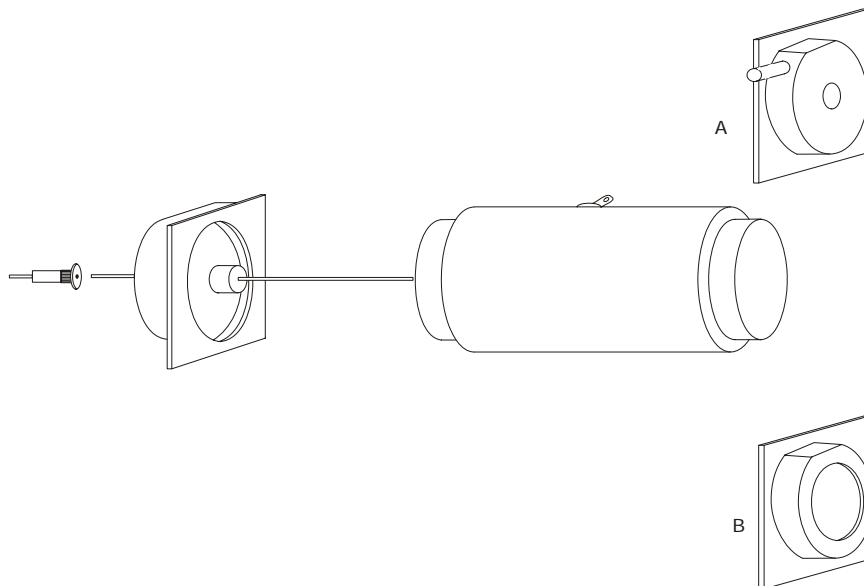


Fig. 6 Montagem da câmara de ionização (A para pressão baixa, B para pressão atmosférica normal)

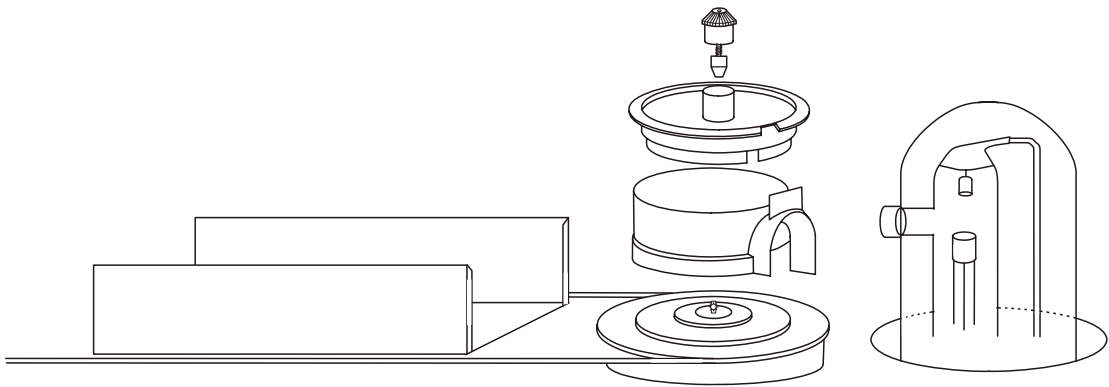


Fig. 7 Montagem da câmara de Debye-Scherrer

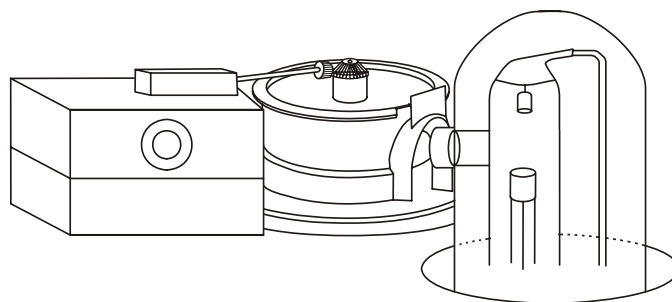


Fig. 8 Câmera de Debye-Scherrer com acionamento a motor

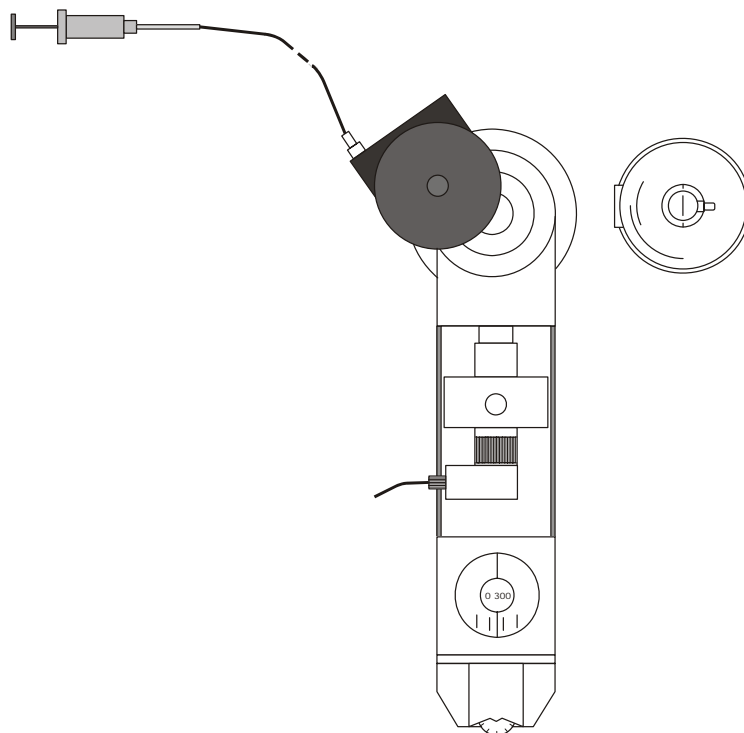


Fig. 9 Montagem do revólver de folhas de propagação

Aparato de Rayos X U192001

Instrucciones de uso

09/08 ALF / Hh



1. Protección contra radiaciones

Antes de la primera puesta en funcionamiento del aparato de Rayos X procure que la puesta en funcionamiento planeada sea autorizada por o sea anunciada ante las autoridades pertinentes de acuerdo con las leyes, los reglamentos o prescripciones específicas del país correspondiente.

La alta tensión sólo se puede conectar con la tapa cobertora cerrada y con el circuito de seguridad correctamente cerrado, y así poner en funcionamiento el tubo de Rayos X. La carcasa está asegurada contra una apertura involuntaria por medio de un tornillo unidireccional. En esta forma la radiación de Rayos X se encuentra blindada y hace posible la experimentación sin peligro.

Las condiciones máximas de trabajo de $U = 30 \text{ kV}$ y $I = 100 \mu\text{A}$ no se pueden sobrepasar.

Antes de cada puesta en funcionamiento del aparato de Rayos X se comprueba las prescripciones de protección contra radiaciones de acuerdo con lo indicado en el apartado 8.1.

No se debe abrir la carcasa del aparato de Rayos X. Cuando en el aparato de Rayos X se realicen algunas manipulaciones, reparaciones etc. que no estén relacionadas directamente con el montaje de experimentos en el espacio de experimentación, se pierde la homologación y el aparato de Rayos X no se debe poner en funcionamiento. Reparaciones se deben hacer única y exclusivamente por el productor UK 3B Scientific Ltd.

- El aparato se debe proteger contra el acceso de persona no autorizadas.

2. Advertencias de seguridad

El aparato de Rayos X satisface las determinaciones de seguridad para aparatos de laboratorios de medida eléctrica, de control y regulación de acuerdo con la normativa DIN EN 61010 Parte 1 y ha sido diseñado según la clase protección I. Es apropiado para el trabajo en recintos secos, que sean adecuados para componentes e instalaciones eléctricas.

Cuando se trabaja según su uso específico se garantiza el funcionamiento seguro del aparato. Sin embargo, la seguridad no se garantiza cuando el aparato no se maneja con el cuidado necesario. Cuando se supone que no es posible un funcionamiento sin peligro, es necesario ponerlo inmediatamente fuera de servicio (p.ej. Cuando se detectan daños visibles) y se asegura contra un puesta en funcionamiento involuntaria.

- Inmediatamente después de desembalar se debe observar si el aparato de Rayos X tiene algún daño por el transporte. En caso de un daño visible no se debe poner el aparato en funcionamiento y se le debe enviar una notificación al productor UK 3B Scientific Ltd.
- Antes de la primera puesta en funcionamiento se debe ajustar el aparato a la tensión de red correcta por medio del conmutador de selección de red.

Debido a la potencia de la dosis de radiación en el interior del aparato el usuario está obligado a tener un cuidado especial durante el funcionamiento del aparato de Rayos X.

- Antes de cada puesta en funcionamiento del aparato de Rayos X se debe observar si la carcasa, la tapa cobertora transparente, los elementos de mando y de indicación tienen algún daño, siguiendo las indicaciones del apartado 8.1, en especial los dispositivos de protección contra la radiación.
- En caso de daños visibles el aparato de Rayos X no se debe poner en funcionamiento y asegurarlo contra un funcionamiento involuntario.
- En caso de un fallo funcional se pone el aparato fuera de servicio y se asegura contra un funcionamiento involuntario.
- Cuando la lámpara de control de la alta tensión se enciende a pesar de que la tapa cobertora no cierra correctamente y no se encuentra enclavada en la posición media se debe poner el aparato inmediatamente fuera de servicio.

En caso de que el sistema de caldeo del tubo no funcione, el Afterflash no puede reaccionar al desconectar la alta tensión (Afterflash = centelleo del caldeo del tubo al desconectar la alta tensión). Por lo tanto la alta tensión puede estar conectada en el tubo hasta 6 horas.

- Por ello, en caso de un fallo del cátodo, partes que lleven alta tensión no se deben tocar antes de transcurridas 6 horas.
- ¡Al cambiar la lámpara o un fusible, se debe desconectar el enchufe de la red!

3. Componentes y elementos de manejo



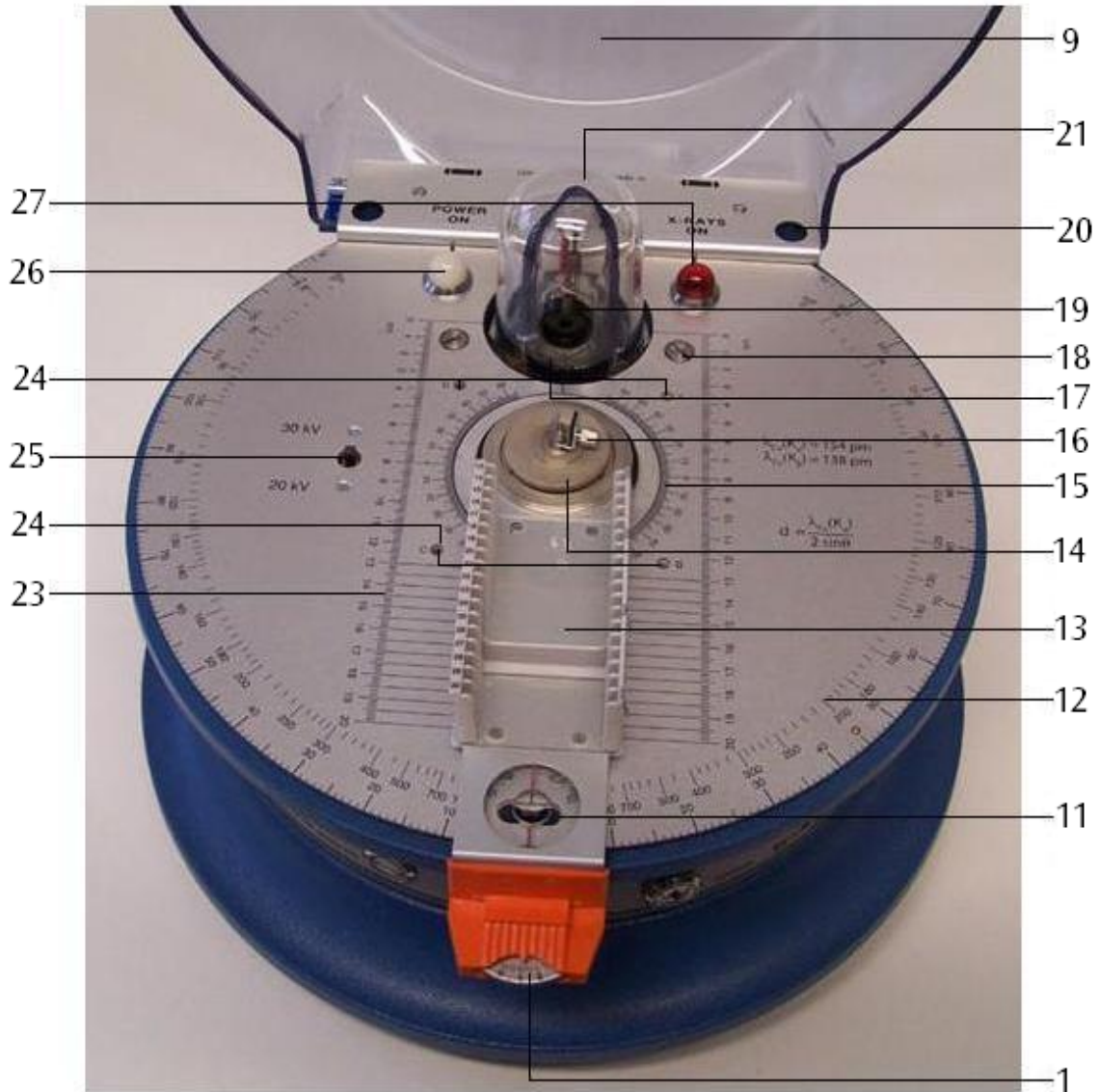
- 1 Ajuste fino para el goniómetro
- 2 Potenciómetro de paso fino para el ajuste de la corriente de emisión
- 3 Tecla para la alta tensión con función ON / OFF
- 4 Carcasa
- 5 Pie
- 6 Cronómetro temporizador

- 7 Interruptor de llave para la tensión de red
- 8 Casquillo de triquete para la medición de la corriente de emisión con salida de tensión proporcional a la corriente
- 9 Tapa cobertora
- 10 Placa de apantallamiento con aviso de advertencia de radiación



10

22



9

21

20

19

18

17

16

15

14

13

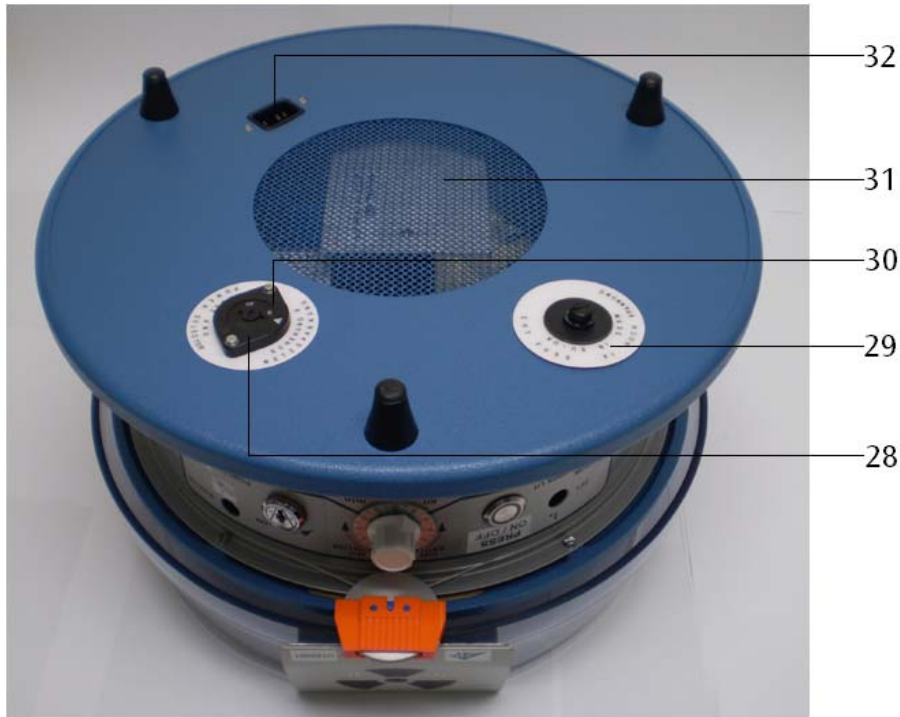
12

11

1

- 11 Ranura en forma de alterio para el enclavamiento de la tapa cobertora
- 12 Escala goniométrica para el brazo de medida
- 13 Brazo de medida con soporte para diapositivas
- 14 Placa de presión
- 15 Escala goniométrica para soporte de muestras
- 16 Soporte de muestras
- 17 Orificio de salida de la radiación con colimador de latón
- 18 Tornillos de enclavamiento para la caperuz de vidrio al plomo

- 19 Tubo de Rayos X
- 20 Orificios de paso
- 21 Caperuz de vidrio al plomo
- 22 Espigas de cierre de la tapa cobertora
- 23 Escala para la distancia del foco
- 24 Casquillos de 4-mm para montar accionamiento de motor
- 25 Conmutador de selección de la alta tensión
- 26 Lámpara de control de la tensión de la red (blanca)
- 27 Lámpara de control de la alta tensión (roja)



- 28 Portafusible para la tensión de red
- 29 Portafusible para la alta tensión
- 30 Conmutador para la selección de la tensión de red

- 31 Ventana para airear la carcasa
- 32 Conexión a la red

4. Descripción

El aparato de Rayos X sirve para la realización de numerosos experimentos con las siguientes temáticas:

- Propiedades de los Rayos X:
 - Penetración de Rayos X, Radioscopía
 - Propagación rectilínea
 - Ionización
 - Fotografía con Rayos X
- Radiación de fluorescencia
- Apantallamiento de Rayos X
- Experimentos de absorción
- Ley de la distancia
- Dosimetría y protección contra la radiación
- Difracción de Rayos X:
 - Difracción de von Laue
 - Difracción de Debye Scherrer
- Reflexión según Bragg,
 - Ley del desplazamiento de Duane Hunt (determinación de h)
- Ley de Moseley

En el aparato de Rayos X se encuentra incorporado un goniómetro horizontal para tubo contador, que se forma por medio de un brazo de medida y un soporte de muestras. El brazo giratorio en forma de

un depósito de diapositivas sirve para la fijación del tubo contador de Geiger-Müller (U19201), de la cámara de ionización (U19208) así como de aparatos de experimentación en formato de diapositiva, resp. de una placa base de 50mm x 50mm, (p.ej. U19205, U19206, U19207). El brazo giratorio se puede mover independientemente alrededor del soporte para muestras o con un acoplamiento angular fijo en una relación 2:1, por ejemplo para experimentos de la reflexión de Bragg. El recinto de experimentación se encuentra dentro de una carcasa cerrada con una tapa cobertora transparente a prueba de radiaciones. Debido al enclavamiento de seguridad, la tapa cobertora se puede abrir sólo fijando en OFF la tecla de alta tensión y después de un tiempo de extinción de la alta tensión de 2 segundos. Un interruptor temporizado con 1 hora de máximo tiempo de conexión permite también ajustar tiempos de exposición largos y evita a su vez un funcionamiento permanente e incontrolado del aparato. El tubo de Rayos X de alto vacío con cátodo de tungsteno de caldeo directo y ánodo de cobre se encuentra en un tubo de vidrio al borosilicato con una ventana de salida del rayo de pared delgada convexa. Una caperuzita de vidrio al plomo con colimador de latón permite la salida del Rayo X paralelamente a la superficie superior del aparato y apantalla contra la salida de rayos difusos. El Rayo X saliente incide sobre una placa de apantallamiento de aluminio al plomo con símbolo de radiación impreso, cuyo diámetro corresponde al rayo no colimado.

5. Volumen de entrega

- 1 Aparato básico
- 1 Tubo de Rayos X
- 1 Enchufe de trinquete
- 2 Fusibles
- 1 Placa de aviso de radiación en Alemán, Inglés, Francés y Español
- 1 Instrucciones de uso

6. Datos técnicos

Tubo de Rayos X:

- Tensión de ánodo: 20/30 kV conmutable, estabilizada electrónicamente
- Corriente de emisión: 0 a 80 μA ajustable sin saltos y estabilizada electrónicamente
- Dosis de radiación: $< 0,1 \text{ mrem/h}^{-1}$ a 0,1 m de distancia a la superficie no tocable
- Caldeo de cátodo: 4 V, 1 A
- Foco: 5 mm x 1 mm
- Material del ánodo: Cu
- Colimador de vidrio al plomo: 5 mm \emptyset
- Divergencia del rayo: menor que 10°
- Longitud de onda de la radiación característica: Cu - K_α : 154 pm
Cu - K_β : 138 pm
- Dimensiones: 100 mm x 32 mm \emptyset

Goniometro de tubo contador:

- Gamas de rotación: 0°
 $+10^\circ$ a $+130^\circ$ y
 -10° a -130° relativo al eje del rayo
- Acoplamiento angular: independiente del soporte de muestra o en relación 2:1
- Exactitud de medida del ángulo de Bragg 2θ : 5 Minutos de arco
- Reloj temporizador:: 0 a 60 min, ajustable sin saltos
- Conexión: 115 V / 230 V, 50/60 Hz por cable de red
- Potencia de consumo: 100 VA
- Dimensiones: 250 mm x 370 mm \emptyset
- Masa: 9 kg

7. Repuestos y accesorios

- 1. Recambio de tubo de Rayos X U19204

- 2. Juego de aparatos básico U19205

El juego de aparatos básico hace posible la realización de experimentos cuantitativos y cualitativos, como por ejemplo: La propagación rectilínea, ionización y poder penetración de los Rayos X así como sobre la fotografía con Rayos X, sobre la comprobación del carácter ondulatorio de los Rayos x, sobre el estudio de la radiación de fluorescencia de Rayos X y sobre la determinación del coeficiente de absorción de masa.

Volumen de entrega:

- 1 Pantalla fluorescente
- 1 Cámara de Debye-Scherrer
- 2 Caja de películas
- 1 Máscara de plomo
- 2 Placas de electrodos con clavija mango de 4mm
- 1 Colimadores como diafragma de ranura, 1 mm
- 1 Colimadores como diafragma de orificio, 1 mm \emptyset
- 1 Deposito adicional con diafragma circular
- 2 Diafragma de ranuras, 1 mm/3 mm
- 1 Diafragma circular, 9,5 mm \emptyset
- 2 Monocristales, LiF, NaCl
- 2 Minicristales, LiF
- 1 Muestra pulverizada, LiF
- 10 Alambres de Cu
- 4 Láminas de absorción, Ni, Cu, Co, Zn
- 1 Revólver de láminas de dispersión, cubiertas con los elementos V, Cr, Mn, Fe, Co, Ni, Cu, Zn
- 1 Disparador remoto para revólver de láminas de dispersión
- 1 Juego de ayudas para montaje (Pegamento de acetatos, pincetas)
- 1 Caja de almacenamiento, con los moldes de los aparatos

- 3. Accesorio de cristalografía U19206

El accesorio de cristalografía hace posible estudios adicionales en cristalografía, deducción de la ley de Moseley, del procedimiento de Debye-Scherrer, las leyes de reflexión de Bragg así como el estudio de materiales.

Volumen de entrega:

- 4 Láminas, Fe, V, Mn, Cr
- 2 Monocristales, KCl, RbCl
- 5 Muestras en polvo, NaF, SiC, NH_4Cl , MgO, Al
- 2 Muestras en filamento, Al, Nb (3 de c/u) para estudios de Debye-Scherrer
- 10 Hilos de polietileno
- 1 Disco para calcular el ángulo de Bragg

4. Accesorio para radiografía U19207
El accesorio para radiografía hace posible la experimentación en los siguientes temas: Dispersión, absorción, dependencia del poder de penetración con la tensión de aceleración resp. con la corriente de emisión, poder de resolución, apantallamiento, espesor medio, tiempo de exposición, estudio no destructivo de materiales.
Volumen de entrega:
1 Cruz de Malta
1 Fantasma
1 Diafragma de orificio
1 Capa de aluminio, escalonada
5 Absorbedor de aluminio, 0,1/0,25/0,5/1,0/2,0 mm
1 Absorbedor de plomo, 0,5 mm
1 Absorbedor de plástico
2 Imanes
4 Muestras para estudio de material (Porosidad, fisuras, soldadura, lienzo de pintura)
5. Fardo de películas 2 U19209
El fardo de películas 2 contiene películas de alta sensibilidad para radiografías con radiaciones α , β y Rayos X. Las láminas de película se encuentran embaladas una a una en envoltura de plástico opacas a la luz haciendo posible el revelado y fijado con luz diurna.
Volumen de entrega:
20 Láminas de película 38 mm x 35 mm en envolturas de plástico opacas
1 Botella de revelador para Rayos X
1 Botella de fijador para Rayos X
1 Jeringa con cánula para inyectar los químicos en la envoltura de las láminas
1 Pinza metálica
6. Fardo de películas 4 U19210
Como el fardo 2 pero:
12 Láminas de película 150 mm x 12 mm en envoltura de plástico opaca para la cámara de Debye-Scherrer
7. Accionamiento de motor U19202-115 resp. U19202-230
El accionamiento de motor junto con la cámara de Debye-Scherrer sirve para el estudio de estructuras según el procedimiento del cristal giratorio.
Conexión a la red: 115/230 V, 50/60 Hz
Consumo de potencia: 3 VA
8. Cámara de ionización U19208
La cámara de ionización sirve para el estudio de la ionización del aire y otros gases por los Rayos X bajo diferentes condiciones de presión (Característica de saturación, Modelo de un tubo contador de Geiger Müller, Dosimetría).
Tensión de trabajo: max. 2 kV
Corriente de ionización: 10^{-11} bis 10^{-10} A
Electrodo de barra: 75 mm de largo
Cámara: 85 mm x 25 mm \emptyset
Husillo de manguera: 5 mm \emptyset
9. Tubo contador Geiger-Müller U19201
El tubo contador de Geiger Müller es un tubo contador de disparo y de autoextinción por halógeno para el registro de las radiaciones α , β , γ y de Rayos X.
Gama de registro de tasa de conteo de dosis: 10^{-3} bis 10^2 mGy/h
Cubrimiento masivo de la superficie activa (Mica): 2,0 bis 3,0 mg/cm²
Tensión de trabajo: 500 V
Conexión: BNC
Longitud del cable: 1 m
Dimensiones: 57 mm x 22 mm \emptyset
10. Medidor de tasa de conteo U19203
El medidor de tasa de conteo sirve para contar los impulsos del tubo contador y para medir la corriente de emisión de los tubos de Rayos X. Junto a un indicador digital (Display) con umbral ajustable (U18620) se puede mostrar directamente, las señales de salida, la tensión del tubo contador, la tasa de conteo así como la corriente.
Entrada de medida de corriente: por medio de casquillo de trinquete, de 0 hasta 200 μ A
Alcances de medida del medidor de tasa de conteo: 0 hasta 2.000 Imp/s
0 bis 20.000 Imp/s
Tiempos de apertura: 3 s, 15 s, 30 s, 60 s
11. Indicador digital con umbral ajustable U18620
El indicador digital (Display) con umbral ajustable es un aparato de indicación para un uso directo con el medidor de tasa de conteo (U19203). Éste dispone de cuatro canales de entrada con valores extremos inferior y superior ajustables de indicación sobrepaso por señal acústica.
Indicación: de 3½ dígitos de 12,5 mm de altura
Dimensiones: 105 mm x 76 mm

8. Manejo

8.1 Comprobación de los dispositivos de protección contra la radiación

Antes de cada uso del aparato de Rayos X se debe comprobar que los diferentes elementos de seguridad para la protección contra la radiación funcionen correctamente. La comprobación se debe realizar en la secuencia de pasos indicada. En caso de tener una objeción el aparato se debe separar de la red. Si el fallo no se puede reparar por medio de las indicaciones que se hacen en el apartado 10, el aparato de Rayos X debe ser reparado por el productor. Cuando el control de seguridad ha sido exitoso, se puede poner nuevamente en servicio el aparato de Rayos X:

- Se comprueba si la tapa cobertora tiene algún daño.
- Se comprueba si la placa de apantallamiento con el aviso de radiación está bien colocada.
- Se comprueba si el perno de cierre de la tapa cobertora tiene algún daño.
- Se comprueba si la caperuza de vidrio al plomo y el colimador de latón tienen algún daño y si están bien colocados.
- Se comprueba la función de la lámpara de control de la red. Para ello se cierra la tapa cobertora y se conecta el aparato a la red, se ajusta el tiempo en el cronómetro temporizador, se acciona en interruptor de llave. Se debe encender la lámpara de control de red. La lámpara de control de la alta tensión debe permanecer apagada.
- Se comprueba la función del cronómetro temporizador: Para ello se acciona el interruptor de llave y se ajusta un tiempo.
- Se comprueba el relé del cronómetro temporizador: Para ello se ajusta el reloj en 0. La lámpara de control de red no se debe encender cuando el cronómetro temporizador esté conectado.
- Comprobación de la funcionalidad de la lámpara de control de la alta tensión: Para ello, manteniendo la tapa cobertora cerrada (el perno de cierre en la posición central) se ajusta el tiempo en el reloj de interrupción programador y se acciona el interruptor con llave. La lámpara de control de la alta tensión no se debe encender todavía. Se conecta la alta tensión por medio de la tecla. La lámpara de control y el anillo luminoso de la tecla se deben encender.
- Se comprueba la función de interrupción de los elementos de seguridad en la bisagra de la tapa cobertora. Para ello, manteniendo la alta tensión conectada se desliza lateralmente la tapa cobertora de protección sin abrirla. El perno de cierre permanece en un extremo de la ranura en forma de haltera. La alta tensión y por lo tanto

la lámpara de control de alta tensión de debe desconectar y el anillo luminoso se debe apagar.

8.2 Puesta en funcionamiento del aparato de Rayos X

8.2.1 Abrir, cerrar y enclavar la tapa cobertora

- Para abrir la tapa cobertora se desliza la misma lateralmente hacia el lado en el cual se encuentra el brazo de medida y luego se abre.
- Para cerrar la tapa cobertora se inserta el perno de cierre en el extremo de la ranura en forma de haltera en el lado en que ese encuentra el brazo de medida.
- La tapa cobertora se desliza lateralmente de tal forma que se pueda escuchar que el perno de cierre enclava en la posición central.

En esta forma se encuentra la tapa cobertora asegurada contra una apertura directa. Se puede ahora conectar la alta tensión.

8.2.2 Conexión del aparato de Rayos X

- Se ajusta primero un intervalo de tiempo en el cronómetro temporizador.
- Se conecta ahora el aparato de Rayos X por medio del interruptor de llave.

Se enciende la lámpara de control de la red. El aparato se desconecta después de pasado el intervalo de tiempo ajustado.

8.2.3 Se cierra la tapa cobertura de protección y se conecta la alta tensión

- Después de conectar la tensión de red se elige la alta tensión deseada $U = 20 \text{ kV}/30 \text{ kV}$, por medio del conmutador deslizante.
- Se cierra la tapa cobertora y se enclava en la posición central del perno de cierre.
- Se pulsa la tecla para la alta tensión.

Se encienden la lámpara de control de alta tensión y el anillo luminoso de la tecla, se producen rayos X.

- Se demuestra la producción de Rayos X por medio de la pantalla fluorescente, o de la cámara de ionización o con el tubo contador de Geiger Müller.

8.2.4 Ajuste y medición de la corriente de emisión

- Se conecta en el casquillo de trinquete un voltímetro con el alcance de medida de 10 V CC por medio de un cable de adaptación.
- Con un destornillador se ajusta la corriente de emisión deseada en el potenciómetro de tornillo.

Se tiene la siguiente relación:

$$I_A [\text{A}] = U_A [\text{V}] / 10^5 [\text{Ohm}]$$

Por lo tanto, p.ej, una corriente de rayos X de 80 μA se indica en el voltímetro como una tensión continua de 8 V.

8.2.5 Desconexión de la alta tensión y apertura de la tapa cobertora de protección

- Se acciona la tecla de alta tensión, se espera el tiempo de retardo del desenclavamiento de seguridad de la tapa cobertora de protección y se desliza luego la misma lateralmente.

8.2.6 Soporte de muestras

Los monocristales (NaCl, LiF, etc.) se pueden fijar en el soporte para muestras (ver. Fig. 5). La mordaza se puede retirar junto con la base aflojando el tornillo

- Se fija el monocristal en el soporte de muestras utilizando la mordaza y se define así el ajuste angular del cristal. La superficie áspera del cristal debe estar orientada hacia el tubo de Rayos X.
- El ángulo 2θ entre el soporte de muestras y el eje del rayo se puede leer en la escala goniométrica para el soporte de muestras.

8.2.7 Brazo de medida

El brazo de medida dispone de más de 18 puestos de enclave para el accesorio de experimentación y los aparatos de detección. El ángulo 2θ entre el brazo de medida y el eje del rayo se lee en la escala goniométrica para el brazo de medida. Para la medición exacta del ángulo sirve la escala del ajuste fino. Para ello:

- Se ajusta el brazo de medida en el siguiente ángulo entero 2θ .
- Luego se fija en 0 el ajuste fino contra la presión del hilo sujetando el brazo de medida.

El brazo de medida se puede graduar en $\pm 4^\circ$ por medio del ajuste fino.

- Se lee el ángulo relativo en la escala del ajuste fino (exactitud aprox. 5 minutos de arco).

8.2.8 Acoplamiento angular 2:1

Durante el registro de un espectro de Bragg el brazo de medida se gira un ángulo doble 2θ y el brazo de medida simultáneamente en un ángulo θ .

- El brazo de medida y el soporte de muestras se ajustan exactamente en la posición $\theta = 0^\circ$
- La placa de presión se atornilla con cuidado.

Durante el movimiento del brazo de medida se mueve además el soporte de muestras en un ángulo igual a la mitad (ver Fig. 4).

- Para levantar el acoplamiento se suelta la placa de presión con 1 a 2 vueltas

8.3 Cambio de fusible

- Se separa el enchufe de la red.

8.3.1 Fusible de la red

- Se desenrosca el portafusible para la red en fondo de la carcasa.

- Se coloca un nuevo fusible con el valor correcto (T1A, 250 V).
- Se vuelve a enroscar el portafusible.

8.3.2 Fusible para la alta tensión

- Se desenrosca el portafusible en el fondo de la carcasa.
- Se coloca un nuevo fusible con el valor correcto (T1A, 250 V).
- Se vuelve a enroscar el portafusible.

8.4 Cambio de la lámpara

- Se separa el enchufe de la red.
- Se desenrosca la tapa de plástico de la lámpara de control de la red resp. de la alta tensión.
Se desenrosca la lámpara ayudándose con un pedazo pequeño de manguera de plástico y se cambia por una nueva:

Lámpara de control de la tensión de la red:

6 V / 0,05 A

Lámpara de control de la alta tensión: 6 V / 0,1 A

- Se vuelve a enroscar la tapa.

8.5 Ajuste del tubo de Rayos X

El aparato de Rayos X se entrega con el tubo de Rayos X ya ajustado en fábrica. Por lo tanto, por lo general un ajuste ulterior no es necesario. Sin embargo puede ser que eventualmente debido al transporte se pueda dar un desajuste y tendría que hacerse un ajuste posterior.

8.5.1 Ajuste de la altura del tubo de Rayos X.

- Se coloca el tubo contador en las ranuras 17 y 20 del brazo de medida y se gira hacia la posición 0° .
- Se coloca horizontalmente en la ranura 13 el diafragma de rendija de 1 mm (de U19205).
- Se coloca el diafragma orificio de 1 mm \emptyset (aus U19205) en el colimador de latón de la caperuza de vidrio al plomo.
- Se conecta el aparato de Rayos X y se elige la alta tensión de 20 kV.
- Se ajusta la corriente de emisión de tal forma que el tubo contador cuente entre 200 y 400 impulsos/segundo (ver 8.2.4).
- Se retira el tapón de goma inferior en la parte posterior del aparato y con el tornillo ahora accesible se varía la altura del tubo de Rayos X hasta que se logre la máxima tasa de conteo.
- Se vuelve a colocar en su sitio el tapón de goma.

8.5.2 Ajuste lateral del tubo de Rayos X

- Se desconecta el aparato de Rayos X y se abre la tapa cobertora.
- El diafragma de ranura de 1 mm (de U193205) se coloca verticalmente en la ranura 30.

- El colimador de diafragma de 1 mm (de U 19205) se fija verticalmente en el colimador de latón de la caperuza de vidrio al plomo.
- Se desmonta la mordaza del soporte de muestras y por medio pinza de montaje se coloca una varilla de vidrio en el soporte de muestras (de U19205). (ver Fig. 5)
- Se conecta la tensión de red.
- Se observa el tubo de Rayos X a través de ambas ranuras. La varilla de vidrio se debe encontrar en el centro del reflejo del cátodo sobre el ánodo.
- En caso de que no se encuentre en esa posición, se gira en un ángulo pequeño la caperuza de vidrio al plomo. Para ello es necesario aflojar los tornillos de fijación.
- Se vuelven a retirar la varilla de vidrio y la pinza de montaje.
- Para realizar un ajuste fino se fija el monocristal de LiF en el soporte de muestras.
- Se llevan a la posición 0° el brazo de medida y el soporte de muestras.
- Realizar el acoplamiento 2:1 (ver 8.2.8).
- Se ajusta el brazo de medida en el ángulo $2\theta = 45^\circ$. Se elige el lado del goniómetro de tal forma que los rayos incidente y reflejado queden en lado oblicuo del soporte de muestras (ver también Fig. 5).
- Se ajusta la alta tensión en 30 kV, se cierra la tapa cobertora y se conecta la alta tensión.
- Se busca el reflejo de Cu-K_α (Valor bibliográfico para LiF = $44^\circ 56'$). El valor de medida se debe concordar con el valor bibliográfico en la gama de $30'$.
- Si el valor encontrado no se encuentra dentro de esta tolerancia se comprueban y repiten los pasos anteriores.
- Si el valor de medida vuelve a encontrarse fuera de la tolerancia, se coloca el brazo de medida en el valor medio entre el valor de medida y el bibliográfico.
- Se retira el tapón de goma superior en la parte posterior de la carcasa, por medio del tornillo ahora accesible se lea el tubo de Rayos X hasta lograr una tasa de conteo máxima.
- Con el brazo de medida se busca el máximo del reflejo. Si es necesario se sigue ajustando hasta que los valores de medida y bibliográfico se encuentren dentro de la tolerancia de $30'$.

9. Observaciones sobre el manejo del accesorio

9.1 Montaje de los colimadores (de U19205)

Los colimadores sirven para la reducir la divergencia del rayo.

- Uno de los colimadores de encaja directamente en el colimador de latón de la caperuza de vidrio al plomo.

9.2 Montaje en el brazo de medida de ranuras y otros objetos de experimentación en formato de diapositiva

- El objeto de experimentación deseado, con formato de diapositiva, se coloca en la ranura del brazo de medida y se enclava con la pinza de muelle.

9.3 Cámara de ionización (U19208)

- Se ensambla la cámara de ionización según la Fig. 6.

Para demostrar el poder de ionización de los Rayos X bajo condiciones normales de presión se utiliza la tapa de la cámara con la ventana grande; en caso de presión reducida (principio del contador de Geiger-Müller) la tapa de la cámara con el punto de empalme de evacuación .

- Las entradas de tensión y así como posiblemente la manguera de bombeo se conducen del espacio de experimentación hacia afuera. Los cables de experimentación se adaptan con las clavijas entregadas.
- La cámara de ionización se enclava en el brazo de medida (ver Fig. 2).

9.4 Tubo contador de Geiger-Müller (U19201)

- El soporte de tubo contador se coloca en el depósito de diapositivas del brazo de medida y se fija con pinzas de muelle (ver Fig. 3).

9.5 Revolver de láminas de dispersión (de U19205)

El revolver de láminas de dispersión contiene 8 láminas metálicas diferentes, que se pueden colocar secuencialmente en el paso del rayo por medio de un disparador remoto. En una ventana en la parte posterior del revolver se indican los símbolos de los elementos.

- Se retira la mordaza del soporte de muestras (ver Fig. 9).
- Se coloca el revolver de láminas de dispersión con la depresión semicircular sobre el soporte de muestras.
- Se enrosca el disparador remoto en el revolver de láminas de dispersión y se comprueba su función.
- Se saca el disparador remoto por debajo de la tapa cobertora.

9.6 Cámara de Debye-Scherrer (de U19205) Con accionamiento de motor (U19202)

La cámara de Debye-Scherrer se compone de tres partes: Carcasa, tapa y soporte tensor con rueda cónica (ver Fig. 7). Acoplada al accionamiento de motor se pueden con ella realizar p.ej. fotografías de cristales en rotación.

- Se retira la mordaza del soporte de muestras; se fija el brazo de medida en $2\theta = 90^\circ$, se ajusta el soporte de muestras en $\theta = 90^\circ$. Se debe tener en cuenta el lado plano del soporte esté orientado hacia el tubo de Rayos X.
- Se fija el colimador de 1-mm en el colimador de latón de la caperuza de vidrio al plomo.
- A manera de ensayo se coloca la carcasa de la cámara de Debye-Scherrer entre la caperuza de vidrio al plomo y el soporte de muestras (ver Fig. 7). En caso de que la fijación de la cámara sea holgada, se puede hacer una adaptación en el fondo de la cámara utilizando un tornillo.
- En la cámara oscura se carga la cámara con una lámina de película de Rayos X del fardo de películas 4 (U19210). La lámina de película se coloca estrechamente contra pared interna cilíndrica.
- Para fotografías con cristal giratorio se carga además una lamina de película del fardo de películas 2 (U19209) y se fija en suelo de la cámara.
- Se fija la muestra en el portabroca del soporte tensor, se cierre la tapa de la cámara y se introduce el soporte tensor en la cámara llevando la muestra empotrada.
- Se coloca la cámara sobre el soporte de muestras.
- Si es necesario se coloca además el accionamiento de motor (U19202), como se indica en la Fig. 8.. Primero se inserta el enchufe en el casquillo de 4 mm. Se tiene cuidado que giro de ruedas cónico no tenga obstáculos. Con la llave hexagonal interna que se entrega se puede cambiar con respecto al eje la posición del engranaje de ruedas cónicas del motor.

9.7 Películas de Rayos X (U19209/U19210)

9.7.1 Revelado

- Antes de cargar líquido en la jeringa se saca el émbolo 1 ml para que en la jeringa siempre halla aire sobre el líquido. En esta forma se garantiza que todo el líquido sale de la jeringa y de la cánula al inyectar el líquido en la envoltura de la película.
- Se inserta la cánula en uno de los orificios junto a la impresión sobre la envoltura de la película y se inyecta el revelador.

Asegúrese que ambos lados de la película estén recubiertos de revelador y que durante el tiempo de

revelado y el mismo esté bien distribuido en la envoltura de la película durante el revelado.

- Para ello con el índice y el pulgar se hace presión sobre la envoltura de la película.
- Después del tiempo de revelado se inyecta el fijador en la envoltura de la película sin antes retirar el revelador.

Revelado	Revelador	Fijador
Tiempo	1½ min.	4 min.
Fardo 2	2½ ml	3½ ml
Fardo 4	3½ ml	5 ml

9.7.2 Extraer la película de la envoltura

- Después del revelado de la película se corta con una tijera una esquina de la envoltura de la película y haciendo un poco de presión se extrae todo el líquido de la envoltura.
- Después del revelado se corta un extremo de la envoltura y se extrae la película con una pinza metálica.
- La película se lava un par de minutos en agua corriente antes de observar las fotografías.

Si se desea archivar la película es necesario fijar 10 minutos más y luego lavar la película en agua corriente por unos 30 minutos. Es posible utilizar fijador común y corriente del comercio, con o sin endurecedor.

9.7.3 Almacenamiento de las sustancias químicas

Mientras el fijador es suficientemente estable, puede tener lugar una disolución del revelador si se encuentra en contacto con el aire en la botella.

- El revelador que se desea almacenar por un tiempo largo en una botella parcialmente llena se transvasa a una botella plástica de mínimo volumen, para que se mantenga activo por un tiempo más largo.
- Antes de cerrar la botella de plástico abierta se hace presión sobre la misma para reducir a un mínimo el aire sobre el revelador en la botella.

Al desechar las sustancias químicas es necesario tener en cuenta las prescripciones locales referentes al desecho de sustancias químicas.

9.7.4 Advertencias generales

Al exponer las películas de Rayos X la distancia entre la película y el objeto debe ser lo menor posible y la distancia entre la película y la fuente de radiación lo mayor posible de acuerdo con un tiempo de exposición adecuado y con el tamaño de la fuente de radiación.

La película también se puede utilizar para exposición con radiación beta o gama de baja energía, tal y como se utilizan en la enseñanza.

Con radiaciones que tengan un componente de radiación de Rayos X “blanda“ es posible que el estampado o impresión en la envoltura de la película se haga visible en las fotografías.

Debido al sellado en la envoltura de PVC puede ser que la película tenga puntos de presión en los bordes. Después del revelado estos bordes se pueden presentar fuertemente oscuros.

10 Advertencias para la eliminación de fallos		
Fallo	Posible causa	Ayuda
La lámpara de control de la red no funciona a pesar de que la conexión a la red se ha comprobado	El cronómetro temporizador está en 0 El fusible de la red está dañado El fusible de la alta tensión está dañado La ampára de indicación está dañada Otras causas posibles	Se ajusta un intervalo de tiempo Se cambia el fusible (ver apartado 8.3) Se cambia el fusible (ver apartado 8.3) Cambiar la lámpara (ver apartado 8.4) El aparato debe ser comprobado por el productor
Caldeo del cátodo con la alta tensión conectada y corriente de tubo ya seleccionada $> 0 \mu A$ no se enciende a pesar de que la lámpara de control de red está encendida	El cátodo está dañado El circuito de regulación de caldeo está dañado	El aparato debe ser comprobado por el productor
La lámpara de control de la alta tensión no funciona a pesar de que el control de la red está encendido	Circuito eléctrico de seguridad Lámpara de indicación dañada Otras causas posibles	Se controla el circuito eléctrico de seguridad como se indica en el apartado 8.1, especialmente el enclavamiento de la caperuza de vidrio al plomo, el cierre y enclavamiento de la tapa cobertora Cambiar la lámpara (ver apartado 8.4) El aparato debe ser comprobado por el productor
La alta tensión cruje directamente después de ser conectada	Humedad en la caperuza de vidrio al plomo	Desenclavar y retirar la espiga de vidrio al plomo, frotar con un trapo seco, volver a colocarla y enclavarla
El cátodo se ilumina claramente por corto tiempo al desconectar la alta tensión („Afterflash“)	No hay fallo, sirve para descargar las componentes de alta tensión	

No se tiene radiación de Rayos X a pesar de que la alta tensión está conectada	El cátodo no se enciende	El aparato debe ser comprobado por el productor. ¡Cuidado, la alta tensión permanece en el tubo horas después de la desconexión de la alta tensión!
	La corriente de emisión está muy baja	Se ajusta la corriente de emisión (ver apartado 8.2.4)
	No se tiene corriente de emisión	El aparato debe ser comprobado por el productor
	Colimadores o algo más en la paso del rayo	Controlar el montaje de experimentación
	Tubo de Rayos X desajustado	Se ajusta el tubo de Rayos X (ver apartado 8.5)

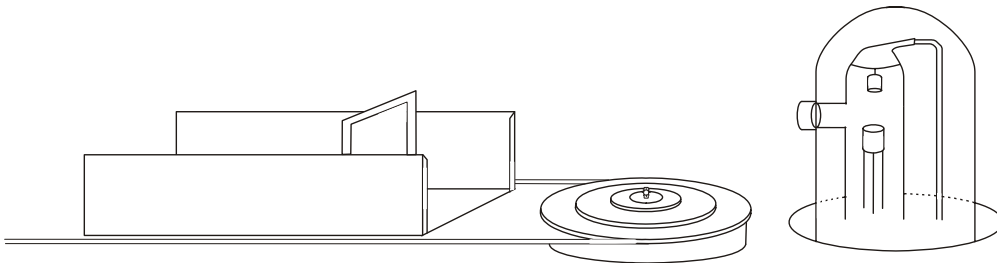


Fig. 1 Montaje de la pantalla fluorescente en el brazo de medida

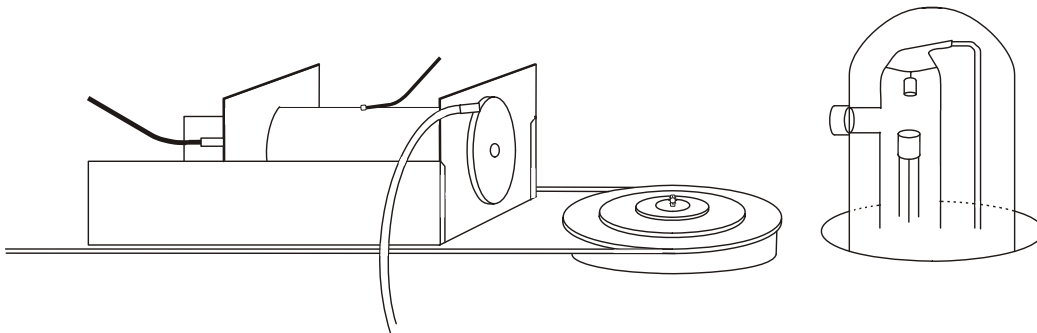


Fig. 2 Montaje de la cámara de ionización en el brazo de medida

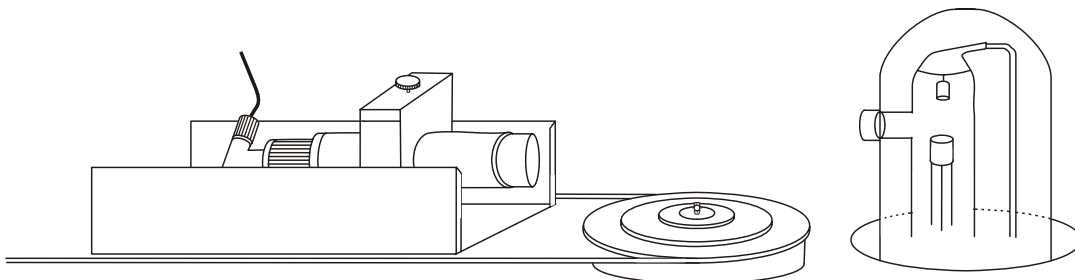


Fig. 3 Montaje del tubo contador de Geiger-Müller en el brazo de medida

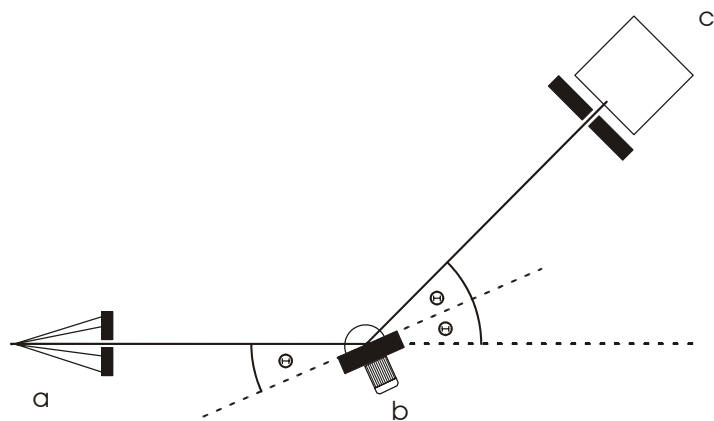


Fig. 4 Geometría de la reflexión de Bragg (a Tubo de Rayos X, b Monocristal, c Tubo contador)

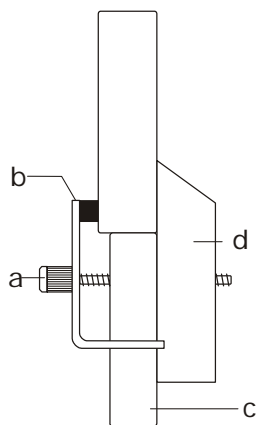


Fig. 5 Montaje del cristal en el soporte de muestras (a Tornillo, b Mordaza, c Asiento, d Parte fija del soporte de muestras)

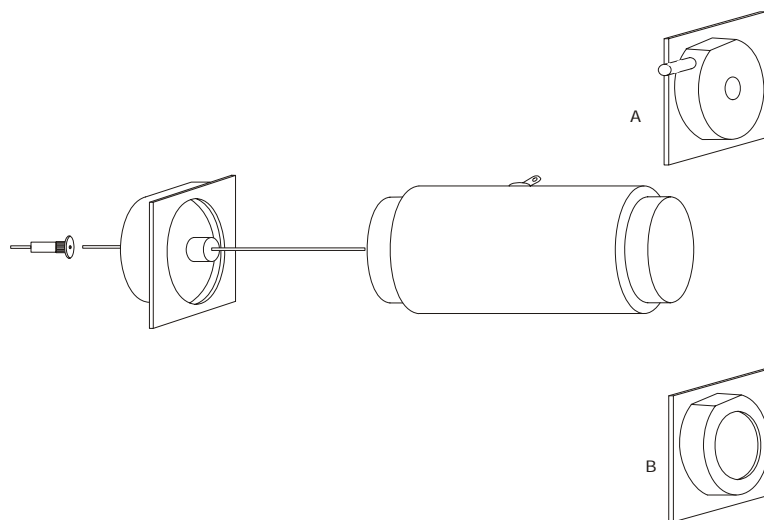


Fig. 6 Ensamblaje de la cámara de ionización (A para presión reducida, B para presión atmosférica normal)

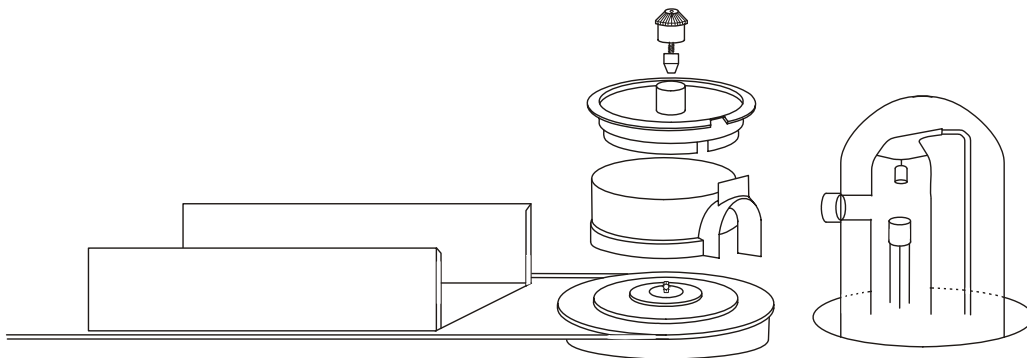


Fig. 7 Montaje y diseño de la cámara de Debye-Scherrer

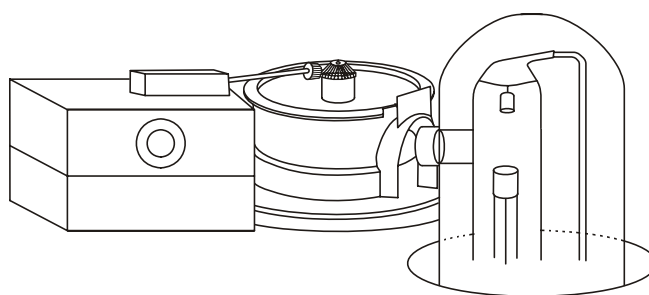


Fig. 8 Cámara de Debye-Scherrer con accionamiento de motor

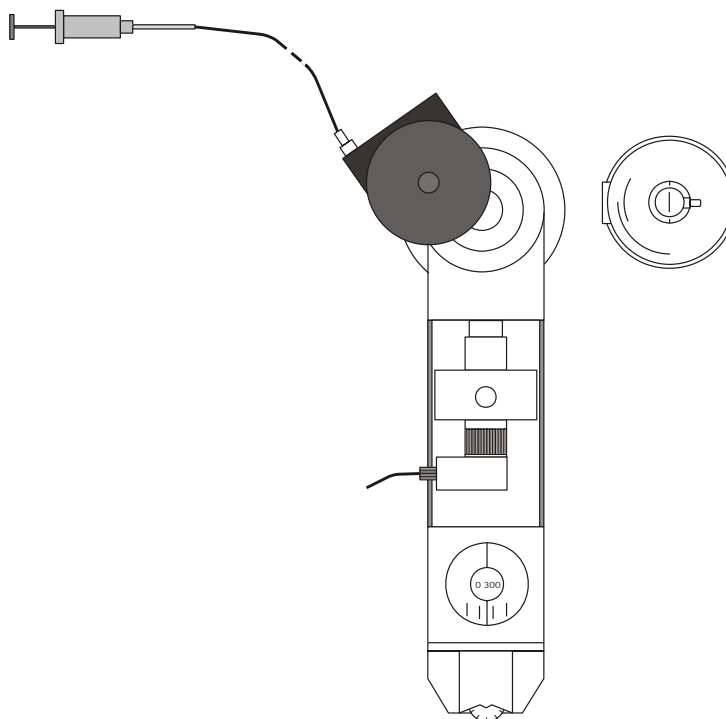


Fig. 9 Montaje de un depósito de láminas de dispersión

Röntgengerät U192001

Bedienungsanleitung

09/08 ALF / Hh



1. Strahlenschutz

Vor einer Erstinbetriebnahme des Röntgengerätes ist dafür zu sorgen, dass die geplante Inbetriebnahme nach den länderspezifischen Gesetzen, Verordnungen und Vorschriften bei den zuständigen Behörden genehmigt bzw. ordnungsgemäß angezeigt wird.

Die Hochspannung kann nur bei geschlossener Abdeckhaube und ordnungsgemäß geschlossenem Sicherheitskreis eingeschaltet und so die Röntgenröhre in Betrieb genommen werden. Das Gehäuse ist mit einer Einwegschraube gegen ein Öffnen gesichert. Die Röntgenstrahlung wird somit abgeschirmt und ein gefahrloses Experimentieren ermöglicht.

Die maximalen Betriebsbedingungen $U = 30 \text{ kV}$ und $I = 100 \mu\text{A}$ können nicht überschritten werden.

Vor jeder Inbetriebnahme des Röntgengerätes die Strahlenschutzvorrichtungen gemäß Abschnitt 8.1 überprüfen.

Das Gehäuse des Röntgengerätes darf nicht geöffnet werden. Wenn am Röntgengerät Manipulationen, Reparaturen etc. vorgenommen werden, die nicht den Aufbau von Experimenten im Experimentier-raum betreffen, erlischt die Bauartzulassung und das Röntgengerät darf nicht weiter betrieben werden. Reparaturen dürfen ausschließlich vom Hersteller UK 3B Scientific Ltd. vorgenommen werden

- Das Gerät vor dem Zugriff Unbefugter schützen.

2. Sicherheitshinweise

Das Röntgengerät entspricht den Sicherheitsbestimmungen für elektrische Mess-, Steuer-, Regel- und Laborgeräte nach DIN EN 61010 Teil 1 und ist nach Schutzklasse I aufgebaut. Es ist für den Betrieb in trockenen Räumen vorgesehen, welche für elektrische Betriebsmittel oder Einrichtungen geeignet sind.

Bei bestimmungsgemäßem Gebrauch ist der sichere Betrieb des Gerätes gewährleistet. Die Sicherheit ist jedoch nicht garantiert, wenn das Gerät unsachgemäß bedient oder unachtsam behandelt wird. Wenn anzunehmen ist, dass ein gefahrloser Betrieb nicht mehr möglich ist, ist das Gerät unverzüglich außer Betrieb zu setzen (z.B. bei sichtbaren Schäden) und gegen unbeabsichtigten Betrieb zu sichern.

- Röntgengerät sofort nach dem Auspacken auf Transportschäden untersuchen. Falls Schäden festgestellt werden, Gerät nicht in Betrieb nehmen und den Hersteller UK 3B Scientific Ltd. benachrichtigen.
- Vor der Erstinbetriebnahme das Gerät auf die korrekte Netzspannung am Wahlschalter einstellen.

Wegen der hohen Dosisleistung im Inneren des Röntgengerätes unterliegt das Röntgengerät einer besonderen Sorgfaltspflicht des Betreibers.

- Vor jeder Inbetriebnahme des Röntgengerätes Gehäuse, Abdeckhaube, Bedien- und Anzeigeelemente auf Beschädigungen untersuchen und insbesondere die Strahlenschutzvorrichtungen gemäß Abschnitt 8.1 überprüfen.
- Bei sichtbaren Schäden das Röntgengerät nicht in Betrieb nehmen und gegen unbeabsichtigten Betrieb sichern.
- Bei Funktionsstörungen Gerät außer Betrieb setzen und gegen unbeabsichtigten Betrieb sichern.
- Wenn die Hochspannungskontrollleuchte leuchtet, obwohl die Abdeckhaube nicht ordnungsgemäß verschlossen und in der Mittelstellung verriegelt ist, Gerät sofort außer Betrieb nehmen.

Falls die Katodenheizung der Röhre nicht arbeitet, kann beim Ausschalten der Hochspannung der „Afterflash“ (Aufblitzen der Röhrenheizung beim Abschalten der Hochspannung) nicht wirken. Die Hochspannung kann deshalb noch bis zu 6 Stunden an der Röhre anliegen.

- Daher Hochspannung führende Teile nach einem Katodenausfall frühestens nach 6 Stunden berühren.
- Bei Lampenwechsel oder Sicherungstausch Netzstecker ziehen!

3. Komponenten und Bedienelemente

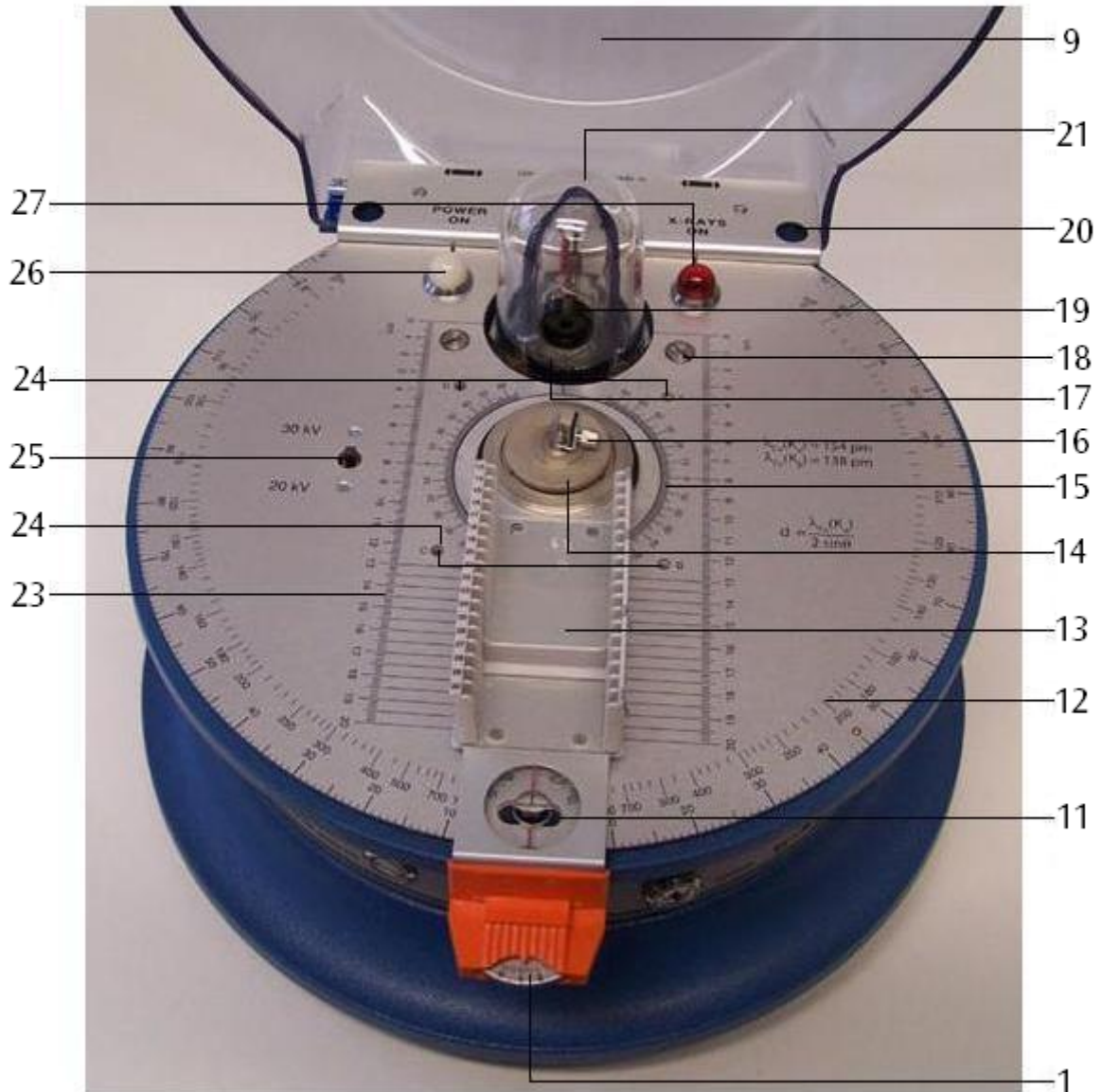


- 1 Feinsteller für Goniometer
- 2 Trimpotentiometer zur Einstellung des Emissionsstroms
- 3 Taster für Hochspannung mit EIN / AUS-Funktion
- 4 Gehäuse
- 5 Fuß

- 6 Zeitschaltuhr
- 7 Schlüsselschalter für Netzspannung
- 8 Klinkenbuchse für Emissionsstrommessung mit Strom-proportionalem Spannungsausgang
- 9 Abdeckhaube
- 10 Abschirmplatte mit Strahlenwarnschild

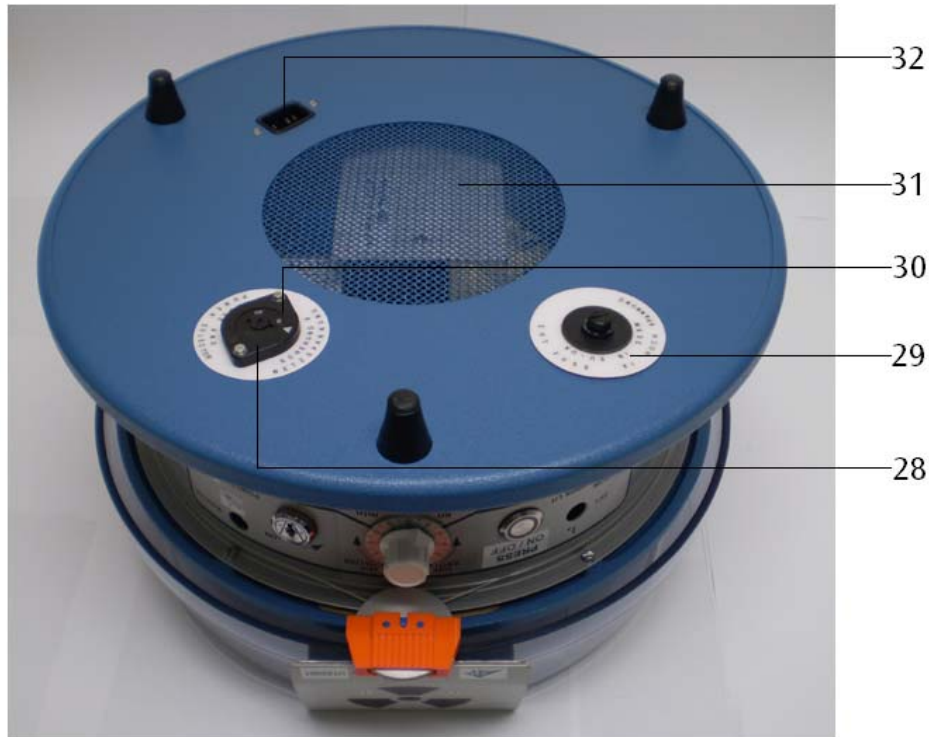


10
22



- 11 Hantelförmiger Schlitz zur Verriegelung der Abdeckhaube
- 12 Winkelskala für Messarm
- 13 Messarm mit Dia-Magazin
- 14 Andruckplatte
- 15 Winkelskala für Probenhalter
- 16 Probenhalter
- 17 Strahlastrittsöffnung mit Messingkollimator
- 18 Arretierschrauben für Bleiglasdom

- 19 Röntgenröhre
- 20 Durchführungen
- 21 Bleiglasdom
- 22 Verschlusszapfen der Abdeckhaube
- 23 Abstandsskala vom Brennfleck
- 24 4-mm-Buchsen zum Aufbau des Motortriebs
- 25 Hochspannungswahlschalter
- 26 Kontrollleuchte Netzspannung (weiß)
- 27 Kontrollleuchte Hochspannung (rot)



- 28 Sicherungshalter für Netzspannung
- 29 Sicherungshalter für Hochspannung
- 30 Netzspannungswahlschalter

- 31 Öffnung für Gehäuselüftung
- 32 Netzanschluss

4. Beschreibung

Das Röntgengerät dient zur Durchführung einer Vielzahl von Experimenten zu folgende Themen:

- Eigenschaften von Röntgenstrahlen:
 - Durchstrahlung
 - Geradlinige Ausbreitung
 - Ionisierung
 - Röntgenfotografie
- Fluoreszenzstrahlung
- Abschirmung von Röntgenstrahlung
- Absorptionsexperimente
- Abstandsgesetz
- Dosimetrie und Strahlenschutz
- Beugung von Röntgenstrahlen:
 - Laue-Aufnahmen
 - Debye-Scherrer-Aufnahmen
- Bragg-Reflexion,
 - Duane-Hunt'sches Verschiebungsgesetz (h -Bestimmung)
- Moseley Gesetz

In das Röntgengerät ist ein horizontales Zählrohr-Goniometer eingebaut, das durch einen schwenkbaren Messarm sowie einen Probenhalter in dessen

Drehachse gebildet wird. Der Schwenkarm in Form eines Dia-Magazins dient zur Aufnahme des Geiger-Müller-Zählrohrs (U19201), der Ionisationskammer (U19208) sowie Experimentiergeräten im Dia-Format bzw. auf einer 50 mm x 50 mm Grundplatte (z.B. aus U19205, U19206, U19207). Der Schwenkarm lässt sich per Hand unabhängig um den Probenhalter drehen oder mit einer festen Winkelkopplung im Verhältnis 2:1, z. B. für Experimente zur Bragg'schen Reflexion. Der Experimentierraum ist in einem geschlossenen Gehäuse mit einer transparenten, strahlungssicheren Abdeckhaube untergebracht. Die Abdeckhaube kann wegen der Sicherheitsverriegelung erst nach AUS-Schalten des Hochspannungstasters und einer Hochspannungs-Abklingzeit von 2 Sekunden geöffnet werden. Ein Zeitschalter mit 1 Stunde maximaler Schaltzeit ermöglicht das Einstellen auch längerer Belichtungszeiten und verhindert den unkontrollierten Dauerbetrieb des Gerätes. Die Hochvakuum-Röntgenröhre mit direkt geheizter Wolframkathode und Kupferanode befindet sich in einem Borosilikatglas mit konkavem, dünnwandigem Strahlaustrittsfenster. Eine Bleiglashaube mit Messingkollimator lässt den Röntgenstrahl parallel zur Geräteoberseite austreten und schirmt gegen Streustrahlung ab. Der austretende Röntgenstrahl trifft auf eine Blei-Aluminium-Abschirmplatte mit aufgedrucktem Strahlensymbol, dessen Durchmesser mit dem des unkollimatierten Strahls übereinstimmt.

5. Lieferumfang

- 1 Grundgerät
- 1 Röntgenröhre
- 1 Klinkenstecker
- 2 Schmelzsicherungen
- 1 Strahlenwarntafel in Deutsch, Englisch, Französisch und Spanisch
- 1 Bedienungsanleitung

6. Technische Daten

Röntgenröhre:

- Anodenspannung: 20/30 kV umschaltbar, elektronisch stabilisiert
- Emissionsstrom: 0 bis 80 μA stufenlos einstellbar und elektronisch stabilisiert
- Strahlendosis: $< 0,1 \text{ mrem/h}^{-1}$ in 0,1 m Abstand von berührbarer Oberfläche
- Katodenheizung: 4 V, 1 A
- Brennfleck: 5 mm x 1 mm
- Anodenmaterial: Cu
- Bleiglaskollimator: 5 mm \emptyset
- Divergenz des Strahles: besser als 10°
- Wellenlänge der charakt. Strahlung: Cu - K_α : 154 pm
Cu - K_β : 138 pm
- Abmessungen: 100 mm x 32 mm \emptyset
- ### Zählrohrgoniometer:
- Schwenkbereiche: 0°
 $+10^\circ$ bis $+130^\circ$ und
 -10° bis -130° relativ zur Strahlachse
- Winkelkopplung: unabhängig zum Probenhalter oder im Verhältnis 2:1
- Messgenauigkeit des Bragg-Winkels 2θ : 5 Bogenminuten
- Zeitschaltuhr: 0 bis 60 min, stufenlos einstellbar
- Anschluss: 115 V / 230 V, 50/60 Hz über Netzkabel
- Leistungsaufnahme: 100 VA
- Abmessungen: 250 mm x 370 mm \emptyset
- Masse: 9 kg

7. Ersatzteile und Zubehör

- 1. Ersatz-Röntgenröhre U19204
- 2. Basisgerätesatz U19205
Der Basisgerätesatz ermöglicht qualitative und quantitative Versuche, z.B. zur geradlinigen Ausbreitung, Ionisation und zum Durchdringungsvermögen von Röntgenstrahlung sowie zur Röntgenfotografie, zum Nachweis des Wellencharakters der Röntgenstrahlung, zur Untersuchung von Röntgen-Fluoreszenzstrahlung und zur Bestimmung von Massen-Absorptionskoeffizienten.
Lieferumfang:
 - 1 Leuchtschirm
 - 1 Debye-Scherrer Kamera
 - 2 Filmkassetten
 - 1 Bleimaske
 - 2 Platten-Elektroden auf 4-mm-Steckerstift
 - 1 Spaltblenden-Kollimator, 1 mm
 - 1 Lochblenden-Kollimator, 1 mm \emptyset
 - 1 Zusatzmagazin mit Kreisblende
 - 2 Spaltblenden, 1 mm/3 mm
 - 1 Lochblende, 9,5 mm \emptyset
 - 2 Einkristalle, LiF, NaCl
 - 2 Minikristalle, LiF
 - 1 Pulverprobe, LiF
 - 10 Cu-Drähte
 - 4 Absorptionsfolien, Ni, Cu, Co, Zn
 - 1 Streufolienrevolver, belegt mit den Elementen V, Cr, Mn, Fe, Co, Ni, Cu, Zn
 - 1 Fernauslöser für Streufolienrevolver
 - 1 Satz Montagehilfen (Acetat-Kleber, Clips)
 - 1 Aufbewahrungskasten, Geräte-geformt
- 3. Kristallographie-Zubehör U19206
Das Kristallographie-Zubehör ermöglicht weiterführende kristallographische Untersuchungen, Erarbeitung des Moseley Gesetzes, des Debye-Scherrer-Verfahrens, der Bragg'schen Reflexion sowie Materialuntersuchungen.
Lieferumfang:
 - 4 Folien, Fe, V, Mn, Cr
 - 2 Einkristalle, KCl, RbCl
 - 5 Pulverproben, NaF, SiC, NH_4Cl , MgO, Al
 - 2 Drahtproben, Al, Nb (je 3 x) für Debye-Scherrer-Untersuchung
 - 10 Polyäthylen-Fäden
 - 1 Scheibe zur Berechnung des Bragg'schen Glanzwinkels

4. Radiographie-Zubehör U19207
Das Radiographie-Zubehör ermöglicht Versuche zu folgenden Themenbereichen: Streuung, Absorption; Abhängigkeit von Beschleunigungsspannung bzw. Emissionsstrom und Durchdringungsfähigkeit, Auflösungsvermögen; Abschirmung, Halbwertsdicke; Belichtungszeit, zerstörungsfreie Werkstoffprüfung.

Lieferumfang:

- 1 Malteserkreuz
- 1 Phantom
- 1 Lochblende
- 1 Aluminiumschicht, gestuft
- 5 Aluminium-Absorber, 0,1/0,25/0,5/1,0/2,0 mm
- 1 Blei-Absorber, 0,5 mm
- 1 Kunststoff-Absorber
- 2 Magnete
- 4 Materialprüfmodelle (Porosität, Risse, Schweißnaht, Gemälde)

5. Filmpack 2 U19209
Filmpack 2 enthält hochempfindliche Filme für Radiographien für α -, β - und Röntgenstrahlung. Die Filmbblätter sind einzeln in lichtdichten Kunststoffhüllen verpackt und ermöglichen Entwicklung und Fixierung bei Tageslicht.

Lieferumfang:

- 20 Filmbblätter 38 mm x 35 mm in lichtundurchlässigen Kunststoffhüllen
- 1 Flasche Röntgen-Entwickler
- 1 Flasche Röntgen-Fixierer
- 1 Spritze mit Kanüle zum Einfüllen der Chemikalien in die Filmhüllen
- 1 Metallklammer

6. Filmpack 4 U19210
Wie Filmpack 2 jedoch
12 Filmbblätter 150 mm x 12 mm in lichtdichten Kunststoffhüllen für Debye-Scherrer-Kamera.

7. Motorantrieb U19202-115 bzw. U19202-230
Der Motorantrieb dient in Verbindung mit der Debye-Scherrer-Kamera für Strukturuntersuchungen nach dem Drehkristallverfahren.

Netzanschluss: 115/230 V, 50/60 Hz

Leistungsaufnahme: 3 VA

8. Ionisationskammer U19208
Die Ionisationskammer dient zur Untersuchung der Ionisation von Luft und anderen Gasen durch Röntgenstrahlung bei unterschiedlichem Druck

(Sättigungscharakteristik, Modell eines Geiger-Müller-Zählrohrs, Dosimetrie).

Betriebsspannung: max. 2 kV
Ionisationsstrom: 10^{-11} bis 10^{-10} A
Stabelektrode: 75 mm lang
Kammer: 85 mm x 25 mm \emptyset
Schlauchwelle: 5 mm \emptyset

9. Geiger-Müller-Zählrohr U19201
Das Geiger-Müller-Zählrohr ist ein selbstlöschendes Halogen-Auslösezählrohr zur Registrierung von α -, β -, γ - und Röntgenstrahlung.

Dosisratenbereich: 10^{-3} bis 10^2 mGy/h
Massenbelegung der aktiven Fläche (Glimmer): 2,0 bis 3,0 mg/cm²
Betriebsspannung: 500 V
Anschluss: BNC
Kabellänge: 1 m
Abmessungen: 57 mm x 22 mm \emptyset

10. Ratemeter U19203
Das Ratemeter dient zum Zählen von Zählrohrimpulsen und zur Messung des Emissionsstroms der Röntgenröhre. In Verbindung mit der Digitalanzeige mit einstellbarer Schwelle (U18620) können die Ausgangssignale, Zählrohrspannung, Zählraten sowie Strom direkt angezeigt werden.

Strommesseingang: über Klinkenbuchse
0 bis 200 μ A
Messbereiche Ratemeter: 0 bis 2.000 Imp/s
0 bis 20.000 Imp/s
Torzeiten: 3 s, 15 s, 30 s, 60 s

11. Digitalanzeige mit einstellbarer Schwelle U18620
Die Digitalanzeige mit einstellbarer Schwelle ist ein digitales Anzeigegerät zum direkten Einsatz mit dem Ratemeter (U19203). Es verfügt über vier Eingangskanäle mit einstellbarem unterem und oberem Grenzwert, der akustisch gemeldet werden kann.

Anzeige: 3½-stellig, 12,5 mm hoch
Abmessungen: 105 mm x 76 mm

8. Bedienung

8.1 Überprüfung der Vorrichtungen, die dem Strahlenschutz dienen

Vor jedem Einsatz des Röntgengerätes sind die verschiedenen Sicherheitselemente, die dem Strahlenschutz dienen, auf einwandfreie Funktion zu überprüfen. Die Überprüfung ist in der aufgeführten Reihenfolge der Prüfschritte durchzuführen. Bei

Beanstandungen ist das Gerät sofort vom Netz zu trennen. Sollten sich die Fehler nicht durch die Vorschläge in Abschnitt 10 beseitigen lassen, muss das Röntgengerät vom Hersteller repariert werden. Wenn die Sicherheitskontrolle erfolgreich verlaufen ist, darf das Röntgengerät verwendet werden.

- Abdeckhaube auf Schäden überprüfen.
- Abschirmplatte mit Strahlenwarnschild auf festen Sitz überprüfen.
- Verschlusszapfen der Abdeckhaube auf Schäden überprüfen.
- Bleiglasdom und Messingkollimator auf Schäden und festen Sitz überprüfen.
- Netzkontrollleuchte auf Funktion überprüfen: Dazu Abdeckhaube schließen, Gerät ans Netz anschließen, Zeit an der Zeitschaltuhr einstellen, Schlüsselschalter betätigen. Netzkontrollleuchte muss leuchten. Hochspannungskontrollleuchte darf nicht leuchten.
- Zeitschaltuhr auf Funktion überprüfen: Dazu Schlüsselschalter betätigen und Zeit einstellen.
- Relais der Zeitschaltuhr überprüfen: Dazu Uhr auf 0 stellen. Netzkontrollleuchte darf bei eingeschaltetem Netzschalter nicht leuchten.
- Hochspannungskontrollleuchte auf Funktion überprüfen: Dazu bei geschlossener und verriegelter Abdeckhaube (Verschlusszapfen in Mittelposition) Zeit an der Zeitschaltuhr einstellen und Schlüsselschalter betätigen. Hochspannungskontrollleuchte darf noch nicht leuchten. Hochspannung mittel Taster einschalten. Kontrollleuchte und Leuchtring des Tasters müssen leuchten.
- Schaltfunktion der Sicherheitselemente im Haubenscharnier überprüfen: Dazu bei eingeschalteter Hochspannung Abdeckhaube seitwärts schieben, ohne sie zu öffnen, Verschlusszapfen verbleibt also in einem Ende des hantelförmigen Schlitzes. Hochspannung und damit die Hochspannungskontrollleuchte und der Leuchtring müssen ausschalten.

8.2 Inbetriebnahme des Röntgengerätes

8.2.1 Öffnen, Schließen und Verriegeln der Abdeckhaube

- Zum Öffnen der Abdeckhaube Haube seitwärts zu der Seite, auf der sich der Messarm befindet, schieben und aufklappen.
- Zum Schließen der Abdeckhaube den Verschlusszapfen in das Ende des hantelförmigen Schlitzes auf der Seite, auf der sich der Messarm befindet, einführen.
- Abdeckhaube zur Seite verschieben, so dass der Verschlusszapfen hörbar in der Mittelposition einrastet.

Die Abdeckhaube ist nun gegen direktes Öffnen gesichert. Die Hochspannung kann eingeschaltet werden.

8.2.2 Einschalten des Röntgengeräts

- An der Zeitschaltuhr Vorwahlzeit einstellen.
- Röntgengerät mittels Schlüsselschalter einschalten.

Die Netzkontrollleuchte leuchtet auf. Nach Ablauf der eingestellten Zeit schaltet das Gerät ab.

8.2.3 Schließen der Abdeckhaube und Einschalten der Hochspannung

- Nach Einschalten der Netzspannung die gewünschte Hochspannung $U = 20 \text{ kV}/30 \text{ kV}$ mittels Schiebeschalter wählen.
- Abdeckhaube schließen und in der Mittelstellung des Verschlusszapfens verriegeln.
- Hochspannungstaster betätigen.

Die Hochspannungskontrollleuchte und der Leuchtring des Tasters leuchten und es wird Röntgenstrahlung erzeugt.

- Röntgenstrahlung mittels des Leuchtschirms, der Ionisationskammer oder dem Geiger-Müller-Zählrohr nachweisen.

8.2.4 Einstellen und Messen des Emissionsstromes

- Ein Voltmeter mit einem Messbereich von 10 V DC über ein Adapterkabel an die Klinkenbuchse anschließen.
- Mit einem Schraubendreher am Schraubenpotentiometer den gewünschten Emissionsstrom einstellen.

Es gilt folgender Zusammenhang:

$$I_A [\text{A}] = U_A [\text{V}] / 10^5 [\text{Ohm}]$$

Somit wird ein Röhrenstrom von z. B. 80 μA als eine Gleichspannung von 8 V auf dem Voltmeter angezeigt.

8.2.5 Abschalten der Hochspannung und Öffnen der Abdeckhaube

- Hochspannungstaster betätigen, Verzögerungszeit der Sicherheits-Haubenverriegelung abwarten und Abdeckhaube seitlich verschieben.

8.2.6 Probenhalter

Die Einkristalle (NaCl, LiF, etc.) können auf dem Probenhalter fixiert werden (siehe Fig. 5). Die Spannbacke samt Auflage kann durch Lösen der Schraube entfernt werden

- Einkristall mittels der Spannbacke im Probenhalter fixieren und so die Winkeljustierung des Kristalls definieren. Die raue Seite des Kristalls soll in Richtung Röntgenröhre weisen.
- Winkel θ zwischen Probenhalter und Strahlachse auf der Winkelskala für Probenhalter ablesen.

8.2.7 Messarm

Der Messarm verfügt über 18 Einsteckplätze für das Experimentierzubehör und die Nachweisgeräte. Der

Winkel 2θ zwischen Messarm und Strahlachse wird auf der Winkelskala für Messarm abgelesen. Zur genauen Winkelmessung dient die Skala des Feinstellers. Dazu

- Messarm auf den nächsten ganzen Winkel 2θ einstellen.
- Dann Feinsteller gegen die Fadenspannung bei festgehaltenem Messarm auf 0 stellen.

Der Messarm kann noch um $\pm 4^\circ$ am Feinsteller verstellt werden.

- Relativwinkel an der Feinstellerskala ablesen (Genauigkeit etwa 5 Bogenminuten).

8.2.8 Winkelkopplung 2:1

Bei der Aufnahme eines Bragg-Spektrums wird der Messarm um den doppelten Winkel 2θ und der Probenhalter simultan um den Winkel θ gedreht.

- Messarm und Probenhalter exakt auf $\theta = 0^\circ$ einstellen.
- Andruckplatte feinfühlig einschrauben.

Bei Bewegung des Messarmes bewegt sich nun der Probenhalter jeweils um den halben Winkel mit (siehe Fig. 4).

- Zur Aufhebung der Kopplung Andruckplatte 1 bis 2 Umdrehungen lösen

8.3 Sicherungswechsel

- Netzstecker ziehen.

8.3.1 Netzsicherung

- Sicherungshalter für Netzspannung am Gehäuseboden aufschrauben.
- Neue Sicherung mit korrektem Wert (T1A, 250 V) einsetzen.
- Sicherungshalter zuschrauben.

8.3.2 Hochspannungssicherung

- Sicherungshalter für Hochspannung am Gehäuseboden aufschrauben.
- Neue Sicherung mit korrektem Wert (T1A, 250 V) einsetzen.
- Sicherungshalter zuschrauben.

8.4 Lampenwechsel

- Netzstecker ziehen.
- Kunststoffdeckel von Netz- bzw. Hochspannungskontrollleuchte abschrauben.
- Lampe mit Hilfe eines kurzen Stücks Kunststoffschlauch herausdrehen und ersetzen:
Netzkontrolllampe: 6 V / 0,05 A
Hochspannungskontrolllampe: 6 V / 0,1 A
- Deckel wieder aufschrauben.

8.5 Justierung der Röntgenröhre

Das Röntgengerät wird mit werkseitig justierter Röntgenröhre ausgeliefert. Ein Nachjustieren ist deshalb in der Regel nicht notwendig. Eventuell könnte jedoch beim Transport eine Dejustierung auftreten und eine Nachjustierung notwendig machen.

8.5.1 Höhenjustierung der Röntgenröhre

- Zählrohr in die Nuten 17 und 20 des Messarms einsetzen und in die 0° -Position schwenken.
- Spaltblende 1 mm (aus U19205) horizontal in Nut 13 einsetzen.
- Lochblende 1 mm \emptyset (aus U19205) am Messingkollimator des Bleiglasdoms anbringen.
- Röntgengerät einschalten und Hochspannung von 20 kV wählen.
- Emmissionsstrom so einstellen, dass das Zählrohr etwa 200 bis 400 Impulse/Sekunde zählt (siehe 8.2.4).
- Unteren Gummistopfen an der Geräterückseite entfernen und an der nun zugänglichen Schraube die Höhe der Röntgenröhre so verändern, dass die maximale Zählrate erreicht wird.
- Gummistopfen wieder einsetzen.

8.5.2 Seitenjustierung der Röntgenröhre

- Röntgengerät abschalten und Abdeckhaube öffnen.
- Spaltblende 1 mm (aus U19205) vertikal in Nut 30 einsetzen.
- Spaltblenden-Kollimator 1 mm (aus U19205) vertikal am Messingkollimator des Bleiglasdoms befestigen.
- Spannbacke vom Probenhalter abnehmen und mittels Montageclip Glasstäbchen (aus U19205) im Probenhalter platzieren (siehe Fig. 5).
- Netzspannung einschalten.
- Durch die beiden Spalte Röntgenröhre anpeilen. Das Glasstäbchen muss sich in der Mitte des Katodenreflexes auf der Anode befinden.
- Falls es nicht in dieser Position ist, Bleiglasdom um einen kleinen Winkel drehen. Dazu die Befestigungsschrauben lösen.
- Glasstäbchen und Montageclip wieder entfernen.
- Zur Feinjustierung LiF-Minikristall im Probenhalter befestigen.
- Messarm und Probenhalter in die 0° -Position bringen.
- Winkelkopplung 2:1 vornehmen (siehe 8.2.8).
- Messarm auf Winkel $2\theta = 45^\circ$ einstellen. Dabei ist die Seite des Goniometers so zu wählen, dass einfallender und reflektierter Strahl auf der abgechrägten Seite des Probenhalters liegen (siehe auch Fig. 5).

- Hochspannung auf 30 kV stellen, Abdeckhaube schließen und Hochspannung einschalten.
- Cu-K_α-Reflex suchen (Literaturwert für LiF = 44°56'). Der Messwert sollte innerhalb 30' mit dem Literaturwert übereinstimmen.
- Liegt der gefundene Wert nicht innerhalb dieser Toleranz, vorherige Schritte überprüfen und wiederholen.
- Liegt der Messwert immer noch außerhalb der Toleranz, Messarm auf den Mittelwert zwischen Mess- und Literaturwert einstellen.
- Oberen Gummistopfen an der Gehäuserückwand entfernen, mittels der nun zugänglichen Schraube Röntgenröhre kippen und Zählrate maximieren.
- Mit dem Messarm Maximum des Reflexes aufsuchen. Gegebenenfalls solange nachjustieren bis Mess- und Literaturwert innerhalb von 30' übereinstimmen.

9. Bedienungshinweise zum Zubehör

9.1 Einbau der Kollimatoren (aus U19205)

Die Kollimatoren dienen zur Verringerung der Strahldivergenz.

- Einen der Kollimatoren direkt am Messingkollimator des Bleiglasdoms aufstecken.

9.2 Einbau von Spalten und weiteren Experimentierobjekten im Diaformat im Messarm

- Das gewünschte Experimentierobjekt im Diaformat in die Nut des Messarmes einsetzen und mit der Federklemme arretieren.

9.3 Ionisationskammer (U19208)

- Ionisationskammer gemäß Fig. 6 zusammensetzen.

Für den Nachweis der ionisierenden Wirkung der Röntgenstrahlung unter Normaldruck dient der Kammerdeckel mit großer Öffnung, bei vermindertem Druck (Prinzip des Geiger-Müller-Zählrohres), der Kammerdeckel mit Evakuierungsanschluss.

- Die Spannungszuführungen sowie eventuell die Pumpleitung durch die Durchführungen aus dem Experimentierraum nach außen leiten. Experimentierkabel mit den mitgelieferten Steckern umrüsten.
- Ionisationskammer in den Messarm einsetzen (siehe Fig. 2).

9.4 Geiger-Müller-Zählrohr (U19201)

- Zählrohrhalter ins Diamagazin im Messarm mit den Federklemmen einsetzen und fixieren (siehe Fig. 3)

9.5 Streuflächenrevolver (aus U19205)

Der Streuflächenrevolver enthält 8 verschiedene Metallfolien, die nacheinander per Fernauslöser in den Strahlengang geschwenkt werden können. In einem Fenster auf der Rückseite des Revolvers werden die Elementsymbole angezeigt.

- Spannbacke des Probenhalters entfernen (siehe Fig. 9).
- Streuflächenrevolver mit der halbkreisförmigen Vertiefung auf den Probenhalter aufsetzen.
- Fernauslöser am Streuflächenrevolver anschrauben und auf Funktion überprüfen.
- Fernauslöser unter der Abdeckhaube herausführen.

9.6 Debye-Scherrer-Kamera (aus U19205) und Motorantrieb (U19202)

Die Debye-Scherrer-Kamera besteht aus drei Teilen: Gehäuse, Deckel und Spannhalter mit Kegelrad (siehe Fig. 7). In Verbindung mit dem Motorantrieb sind z.B. Drehkristallaufnahmen möglich.

- Spannbacke des Probenhalters entfernen, Messarm auf $2\theta = 90^\circ$, Probenhalter auf $\theta = 90^\circ$ einstellen. Dabei darauf achten dass die glatte Seite des Halters auf die Röntgenröhre weist.
- 1-mm-Kollimator am Messingkollimator des Bleiglasdoms befestigen.
- Gehäuse der Debye-Scherrer-Kamera probeweise zwischen Bleiglasdom und Probenhalter platzieren (siehe Fig. 7). Falls die Kamera nicht spielfrei sitzen sollte, kann mit der Schraube am Boden der Kamera eine Anpassung vorgenommen werden.
- Kamera in der Dunkelkammer mit einem Röntgenfilm aus Filmpack 4 (U19210) laden. Den Film eng an die innere Zylinderwandung anlegen.
- Für Drehkristallaufnahmen zusätzlich einen Film aus Filmpack 2 (U19209) auf den Boden in der Kamera legen.
- Probe im Bohrfutter des Spannhalters befestigen, Kameradeckel schließen und Spannhalter mit der eingespannten Probe in die Kamera einsetzen.
- Kamera auf dem Probenhalter platzieren.
- Falls erforderlich zusätzlich den Motorantrieb (U19202) gemäß Fig. 8 platzieren. Dazu dessen Stecker in 4-mm-Buchse stecken. Dabei auf einwandfreien Lauf der Kegelzahnräder achten. Mittels des mitgelieferten Inbusschlüssels kann die Lage des Motorkegelrades auf der Achse verändert werden.

9.7 Röntgenfilme (U19209/U19210)

9.7.1 Entwicklung

- Vor Aufnahme der Flüssigkeit in die Spritze den Kolben 1 ml nach oben ziehen, so dass sich Luft über der Flüssigkeit befindet. So wird gewährleistet, dass die ganze Flüssigkeit aus der Spritze und der Kanüle beim Einspritzen in die Filmhülle gelangt.
- Kanüle in eine der Öffnungen neben dem Aufdruck auf der Filmhülle stecken und den Entwickler einspritzen.

Es ist sicherzustellen, dass beide Seiten des Films vom Entwickler benetzt werden und dass der Entwickler während der Entwicklungsdauer gut in der Filmhülle verteilt wird.

- Dazu leichten Druck mit dem Zeigefinger und Daumen auf die Filmhülle ausüben.
- Fixierer nach der Entwicklungszeit in die Filmhülle einspritzen ohne vorher den Entwickler zu entfernen.

Entwicklung	Entwickler	Fixierer
Zeit	1½ min.	4 min.
Filmpack 2	2½ ml	3½ ml
Filmpack 4	3½ ml	5 ml

9.7.2 Entnahme des Films

- Nach der Entwicklung des Films eine Ecke der Filmhülle mit einer Schere abschneiden und mit leichtem Druck die Flüssigkeit aus der Filmhülle entfernen.
- Dann das Ende der Filmhülle abschneiden und den Film mit der Metallklammer aus der Hülle nehmen.
- Film ein paar Minuten unter fließendem Wasser waschen, bevor er betrachtet wird.

Wenn der Film archiviert werden soll, muss er weitere 10 Minuten fixiert und 30 Minuten unter fließendem Wasser gewaschen werden. Handelsüblicher Fixierer mit oder ohne Härter kann dafür verwendet werden.

9.7.3 Aufbewahrung der Chemikalien

Während der Fixierer ziemlich stabil ist, kann es durch die Luft in der Entwicklerflasche zu einer Zersetzung des Entwicklers kommen.

- Entwickler in einer schon teilweise leeren Flasche, der für längere Zeit gelagert wird, in eine Flasche kleineren Volumens umfüllen. So bleibt er für lange Zeit verwendbar.
- Vor dem Verschließen der geöffneten Entwicklerflasche durch Zusammendrücken der Flasche den Flüssigkeitsspiegel bis an den oberen Rand der Flaschenöffnung bringen, so dass sich bei verschlossener Flasche möglichst wenig Luft über der Flüssigkeit befindet.
- Bei der Entsorgung der Chemikalien die lokalen Vorschriften beachten.

9.7.4 Allgemeine Hinweise

Bei der Belichtung der Röntgenfilme sollte der Abstand Film-Objekt möglichst klein und der Abstand Film-Strahlungsquelle möglichst groß sein in Einklang mit einer angemessenen Belichtungszeit und der Größe der Strahlungsquelle.

Der Film kann auch durch Beta- und Gammastrahlung von energiearmen Strahlungsquellen, die in Schulen vorhanden sind, belichtet werden.

Bei Strahlung mit einem hohen Anteil "weicher" Röntgenstrahlung kann die Musterung der Filmhüllen auf der entwickelten Aufnahme sichtbar sein.

Durch das Einschweißen in die PVC-Hüllen bekommt der Film manchmal Druckstellen an den Kanten. Nach dem Entwickeln können diese Kanten des Filmes stark geschwärzt sein.

10 Hinweise zur Fehlerbeseitigung

Fehler	Mögliche Ursache	Abhilfe
Netzkontrollleuchte funktioniert nicht, obwohl Netzanschluss überprüft wurde	Zeitschaltuhr steht auf 0	Vorwahlzeit einstellen
	Netzsicherung defekt	Sicherung austauschen (siehe Abschnitt 8.3)
	Hochspannungssicherung defekt	Sicherung austauschen (siehe Abschnitt 8.3)
	Anzeigelampe defekt	Lampe austauschen (siehe Abschnitt 8.4)
	Andere Ursachen	Gerät muss beim Hersteller überprüft werden

<p>Katodenheizung bei eingeschalteter Hochspannung und vorgewähltem Röhrenstrom $> 0 \mu\text{A}$ glüht nicht, obwohl Netzkontrolle leuchtet</p>	<p>Katode defekt Heizungsregelkreis defekt</p>	<p>Gerät muss beim Hersteller überprüft werden</p>
<p>Hochspannungskontrollleuchte funktioniert nicht, obwohl Netzkontrolle leuchtet</p>	<p>Sicherheitsschaltkreis Anzeigelampe defekt Andere Ursachen</p>	<p>Sicherheitsschaltkreis gemäß Abschnitt 8.1 kontrollieren, insbesondere Verriegelung des Bleiglasdoms, Verschluss und Arretierung der Abdeckhaube Lampe austauschen (siehe Abschnitt 8.4) Gerät muss beim Hersteller überprüft werden</p>
<p>Hochspannung knistert direkt nach dem Einschalten</p>	<p>Feuchtigkeit unter Bleiglasdom</p>	<p>Bleiglasdom entriegeln und abnehmen, mit einem trockenen Tuch ausreiben und wieder einsetzen und verriegeln</p>
<p>Katode leuchtet bei Ausschalten der Hochspannung kurzzeitig hell auf („Afterflash“)</p>	<p>Kein Fehler, dient zur Entladung der Hochspannungskomponenten</p>	
<p>Keine Röntgenstrahlung, obwohl Hochspannung eingeschaltet ist</p>	<p>Katode glüht nicht Emissionsstrom zu klein Kein Emissionsstrom Kollimatoren oder ähnliches im Strahlengang Röntgenröhre dejustiert</p>	<p>Gerät muss beim Hersteller überprüft werden. Vorsicht: Hochspannung bleibt nach Ausschalten an der Röhre über einige Stunden bestehen! Emissionsstrom einstellen (siehe Abschnitt 8.2.4) Gerät muss beim Hersteller überprüft werden Experimentellen Aufbau kontrollieren Röntgenröhre justieren (siehe Abschnitt 8.5)</p>

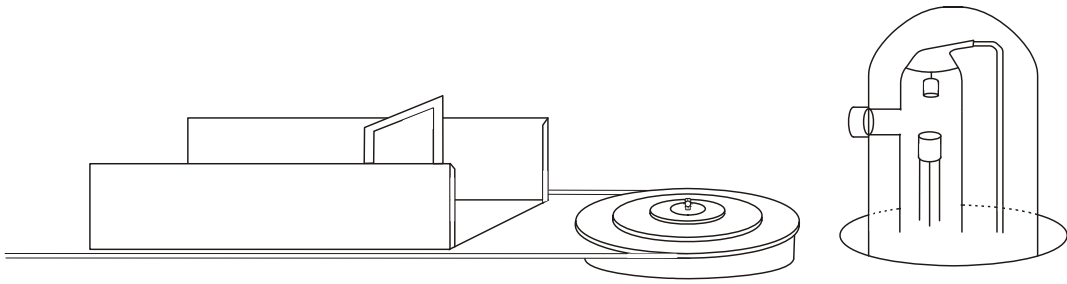


Fig. 1 Einbau des Leuchtschirms in den Messarm

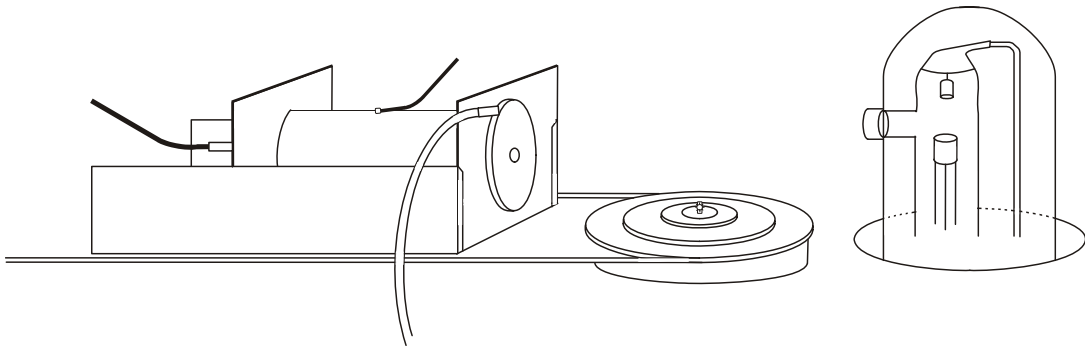


Fig. 2 Einbau der Ionisationskammer in den Messarm

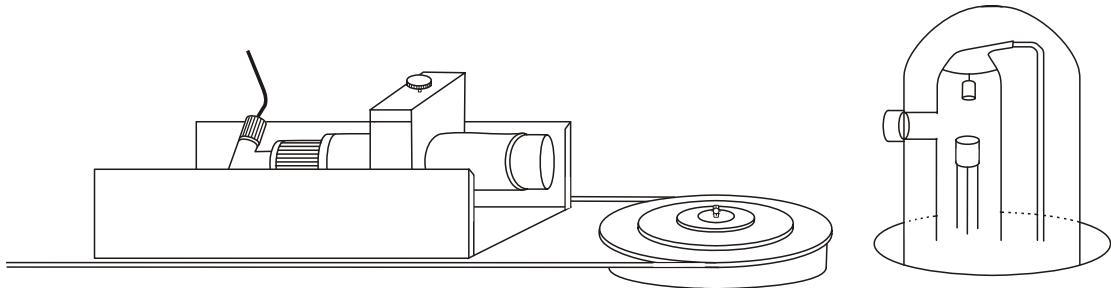


Fig. 3 Einbau des Geiger-Müller-Zählrohrs in den Messarm

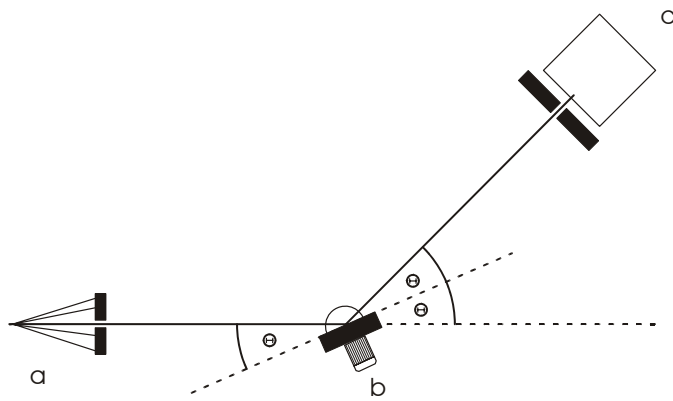


Fig. 4 Geometrie bei der Bragg-Reflexion (a Röntgenröhre, b Einkristall, c Zählrohr)

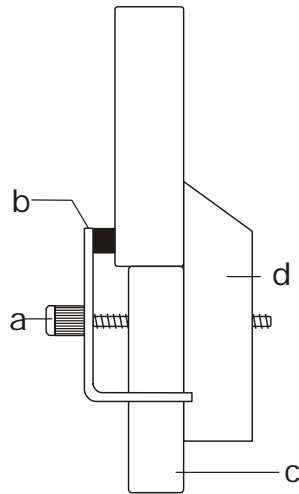


Fig. 5 Einbau des Kristalls in den Probenhalter (a Schraube, b Spannbacke, c Auflage, d fester Teil des Probenhalters)

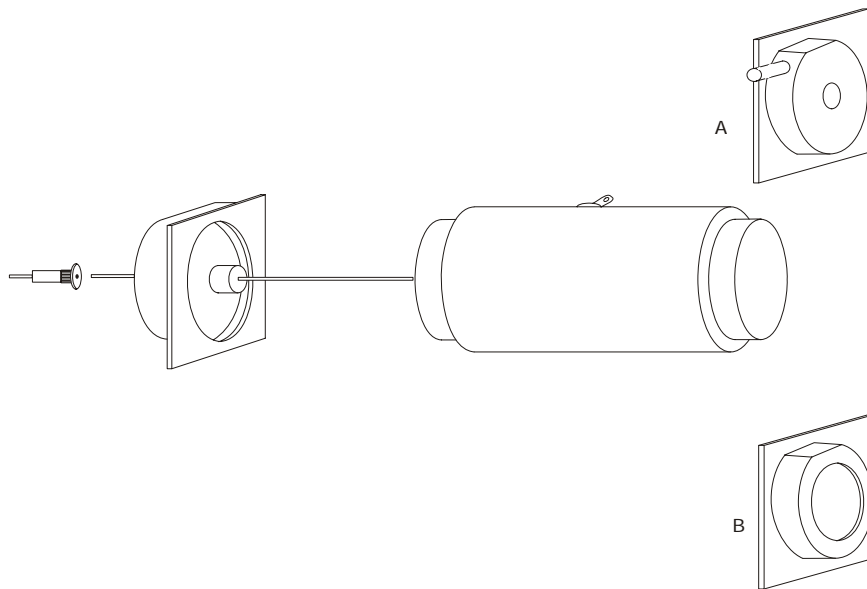


Fig. 6 Zusammenbau der Ionisationskammer (A für verminderten Druck, B für normalen Luftdruck)

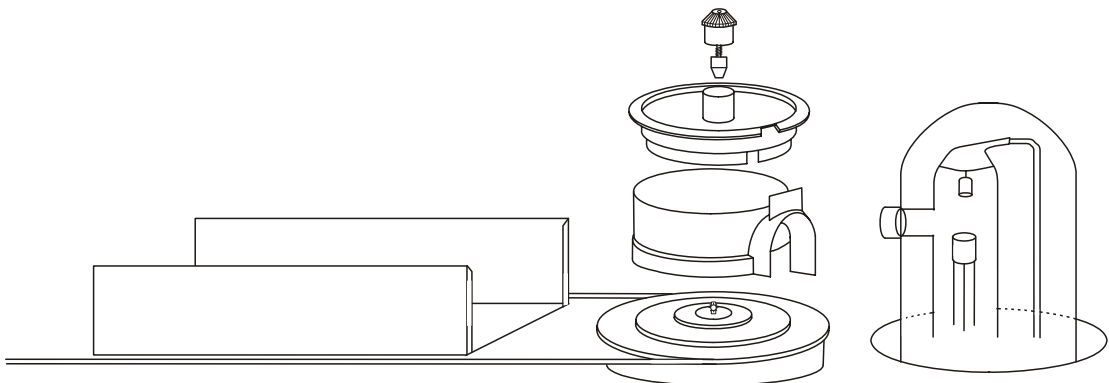


Fig. 7 Ein- bzw. Aufbau der Debye-Scherrer-Kamera

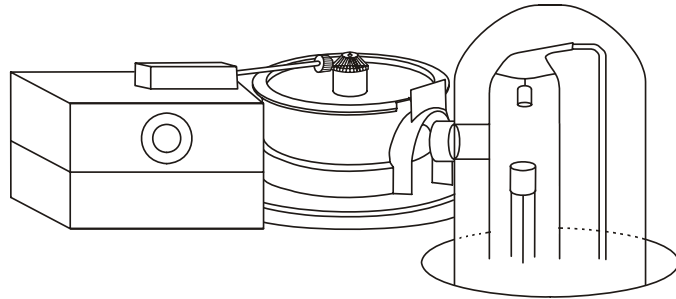


Fig. 8 Debye-Scherrer-Kamera mit Motortrieb

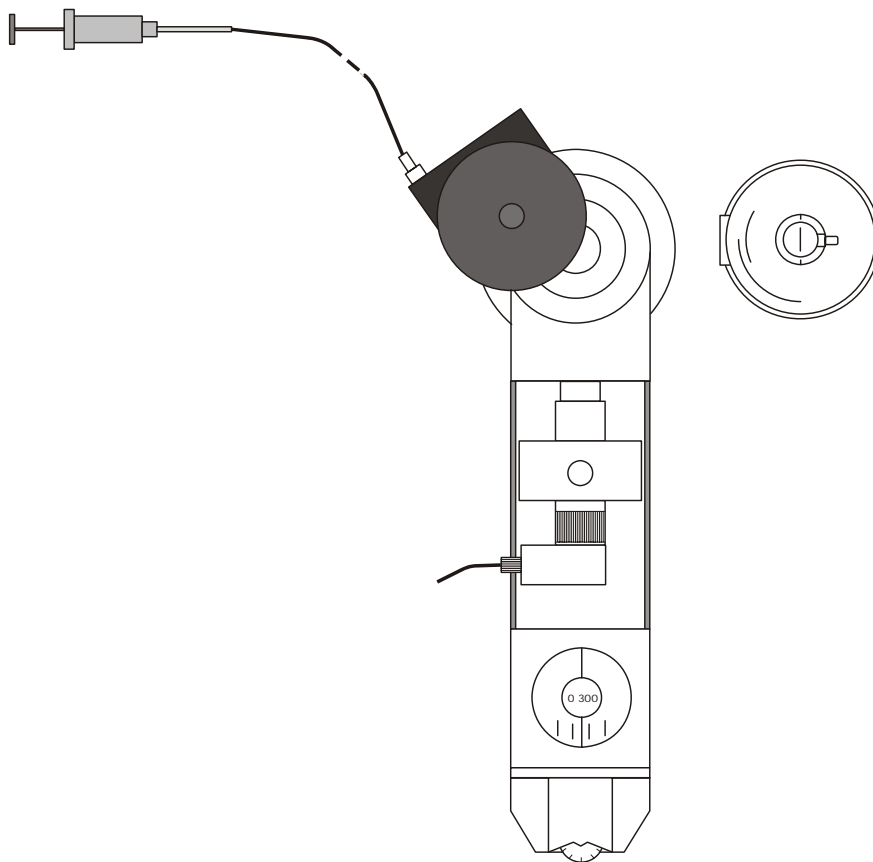


Fig. 9 Einbau des Streufolienmagazins

